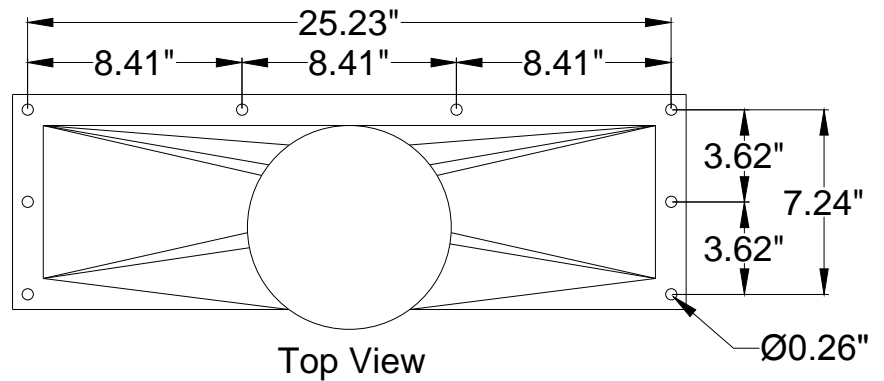


WB-6000

8" Rect to Round

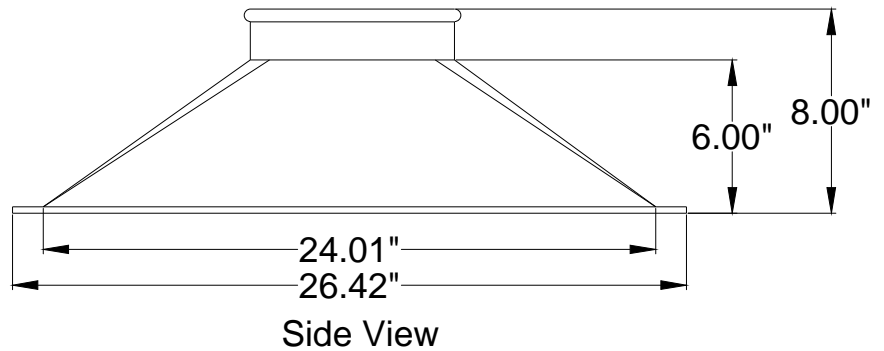
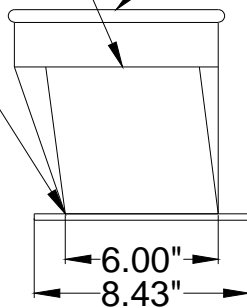
Notes:

1. Connect to 8" K&B
2. Galvanized Steel



Rectangle to Round Transition
8" K&B
Rolled End

Flanged End



Avani Environmental Intl.
95 Cypress Drive
Youngsville, NC 27596
P# 919-570-2862 F# 919-570-2863

Avani

Project: WB-6000 Rectangle to Round 8"

Drawing: Rect to Round Transition

Date: 10/31/12

Drawn by:MDT

Sheet No: 1 of 1

Rev.: 0