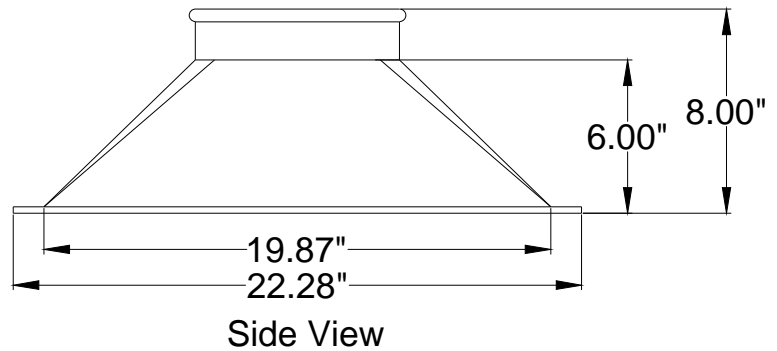
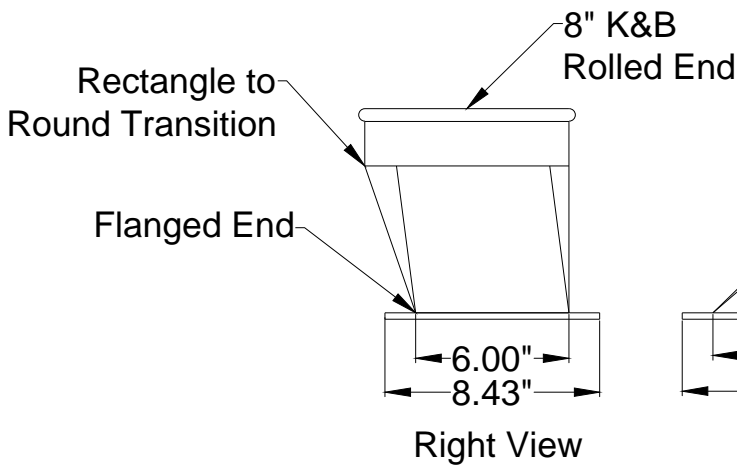
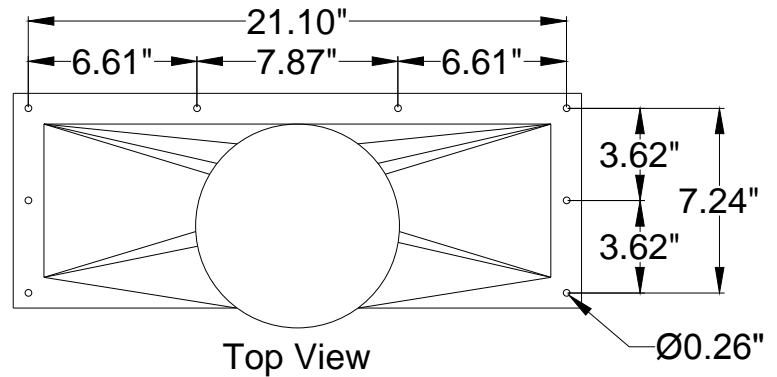


# WB-5000

## 8" Rect to Round

Notes:

1. Connect to 8" K&B
2. Galvanized Steel



Avani Environmental Intl.  
 95 Cypress Drive  
 Youngsville, NC 27596  
 P# 919-570-2862 F# 919-570-2863

**Avani**

Project: WB-5000 Rectangle to Round 8"

Drawing: Rect to Round Transition

Date: 10/31/12

Drawn by: MDT

Sheet No: 1 of 1

Rev.: 0