



**Date:** December 03, 2012

**To:** Weatherford, LA

**Project:**

**Attn:**

**Recommended Equipment:**

WB-6000 series: 15'W x 11'D

- crane slots
- arms centered at the end of the line of booths with bracket

Type I SDC-15-9, drawer type

- polyester spun bond cartridges: dia. 15" x 26"L/pc
- inside install
- 8,000 CFM @ 6" SP (CFM tested at inlet, test method equal to SDC large cartridge collectors)

---

**Avani Environmental Intl. Inc.**

95 Cypress Drive

Youngsville, NC 27596

[www.avanienvironmental.com](http://www.avanienvironmental.com)

Phone: (919) 570-2862

Fax: (919) 570-2863

Email: [info@avanienvironmental.com](mailto:info@avanienvironmental.com)

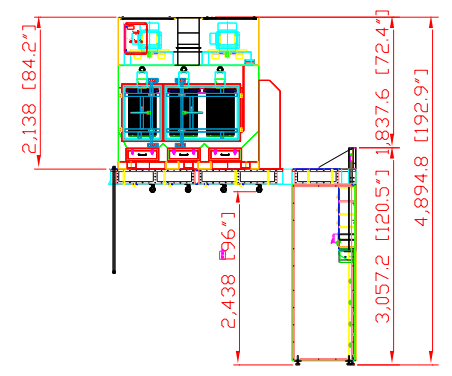
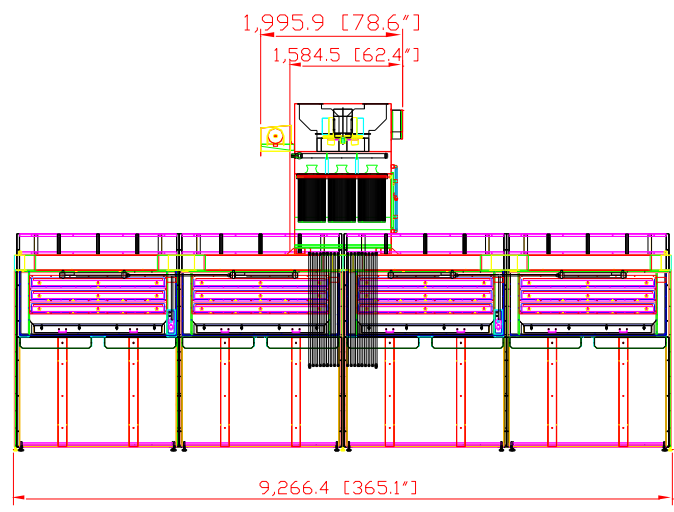
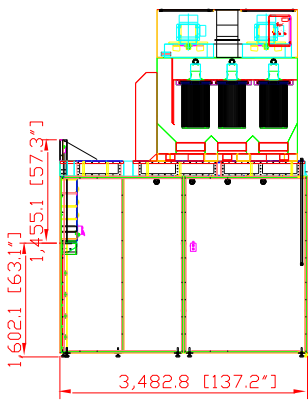
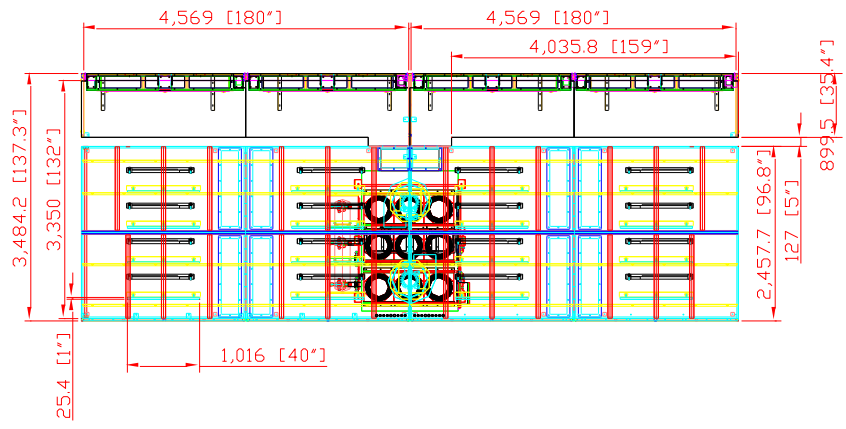
[www.weldingbooths.com](http://www.weldingbooths.com)

DO NOT SCALE

IF IN DOUBT ASK



Revisions			
Rev	Description	Date	Approved



AVANI ENVIRONMENTAL INTL. INC. Sales Department  
 95 Cypress Drive (919) 570-2862  
 Youngsville, NC 27596 info@avanienvironmental.com

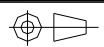
Drawn by:	Date	Name	Part Number:
Checked by:	2012-12-03	***	***

The drawings, AutoCAD, 3-D Models, and specifications are the property of Avani Environmental Intl. Inc. (AE) and may not be reproduced, distributed, modified, or otherwise used, except provided herein, without the express written permission of AE.

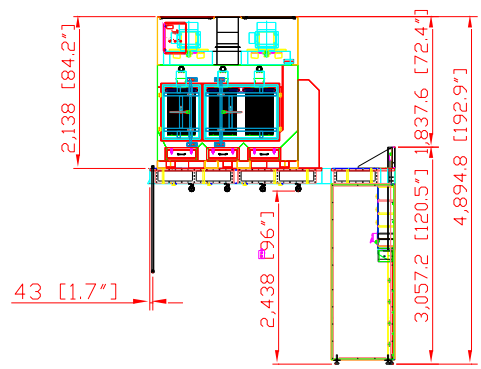
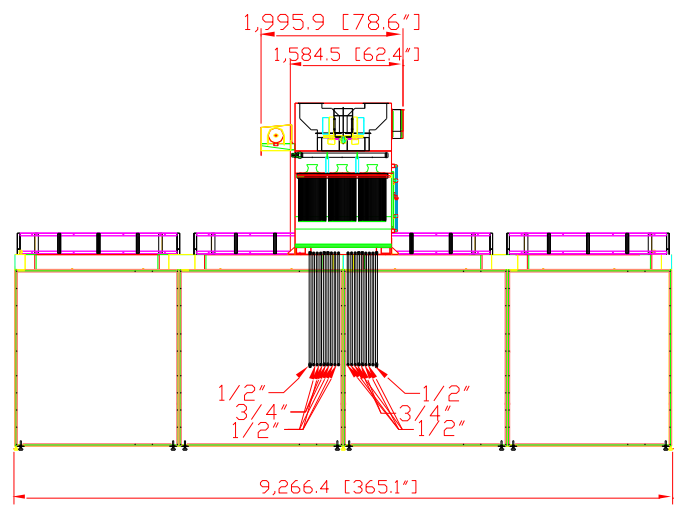
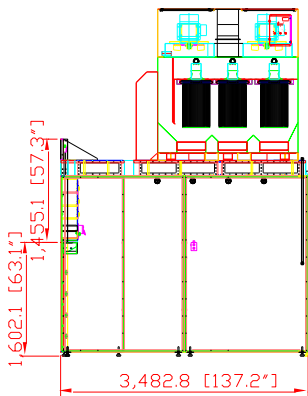
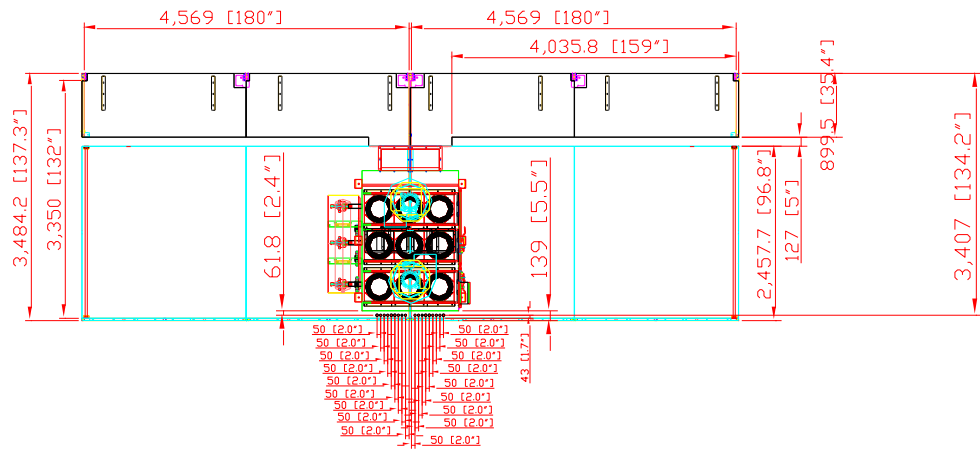
Title: WB-6000 series:15'W x 11'D		
Size	Scale	Drawing Number:
<b>D</b>	1 = 95	15' x 11'

DO NOT SCALE

IF IN DOUBT ASK



Revisions			
Rev	Description	Date	Approved



AVANI ENVIRONMENTAL INTL. INC. Sales Department  
 95 Cypress Drive (1919) 570-2862  
 Youngsville, NC 27596 info@avanienvironmental.com

Date	Name	Part Number:
2012-12-03	***	***
Checked by:		

Title: **WB-6000 series:15'W x 11'D**

The drawings, AutoCAD, 3-D Models, and specifications are the property of Avani Environmental Intl. Inc. (AE) and may not be reproduced, distributed, modified, or otherwise used, except provided herein, without the express written permission of AE.

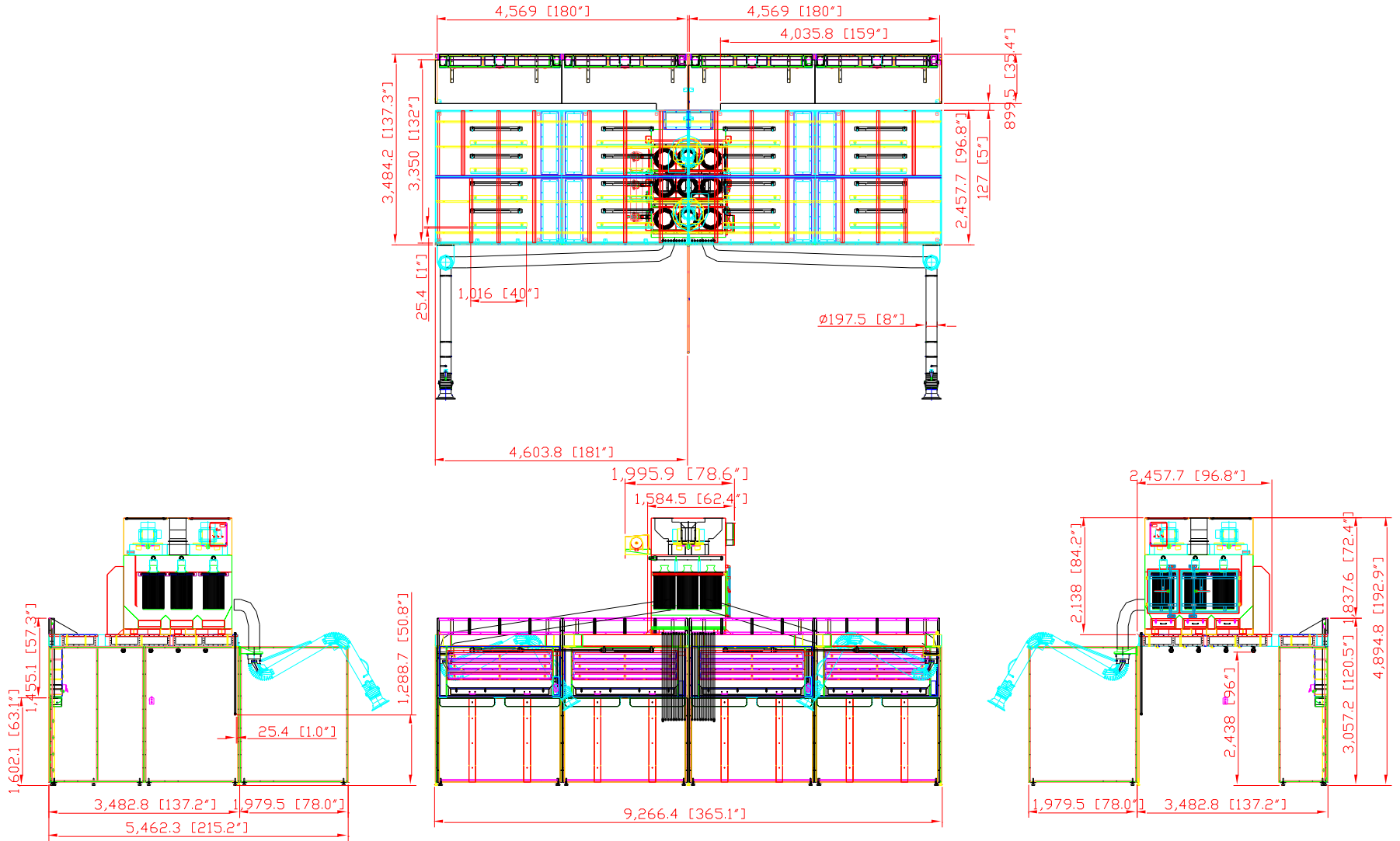
Size	Scale	Drawing Number:
<b>D</b>	1 = 95	15' x 11'

DO NOT SCALE

IF IN DOUBT ASK



Revisions			
Rev	Description	Date	Approved



AVANI ENVIRONMENTAL INTL. INC. Sales Department  
 95 Cypress Drive (919) 570-2862  
 Youngsville, NC 27596 info@avanienvironmental.com

	Date	Name	Part Number:
Drawn by:	2012-12-03	***	***
Checked by:			

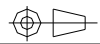
Title: WB-6000 series:15'W x 11'D

The drawings, AutoCAD, 3-D Models, and specifications are the property of Avani Environmental Intl. Inc. (AE) and may not be reproduced, distributed, modified, or otherwise used, except provided herein, without the express written permission of AE.

Size	Scale	Drawing Number:
D	1 = 95	15' x 11'

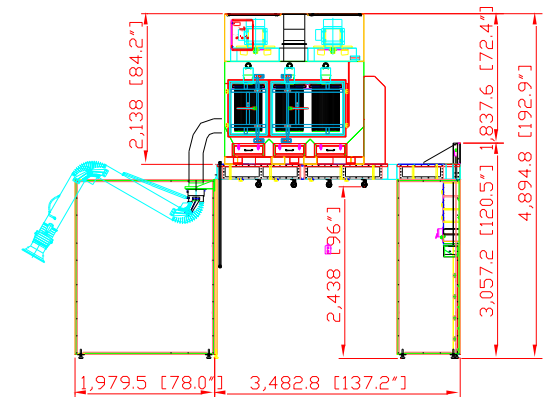
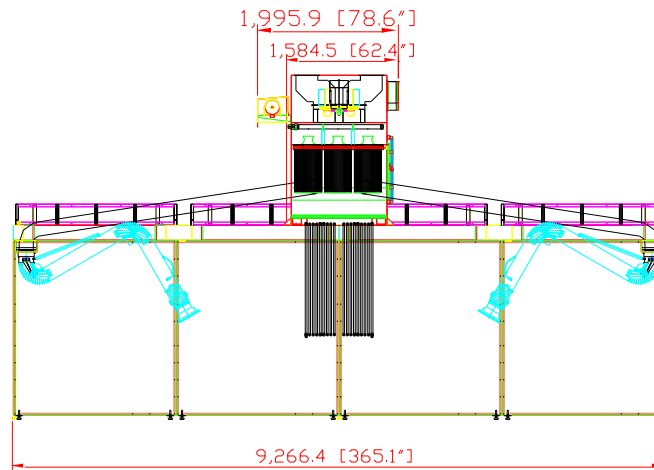
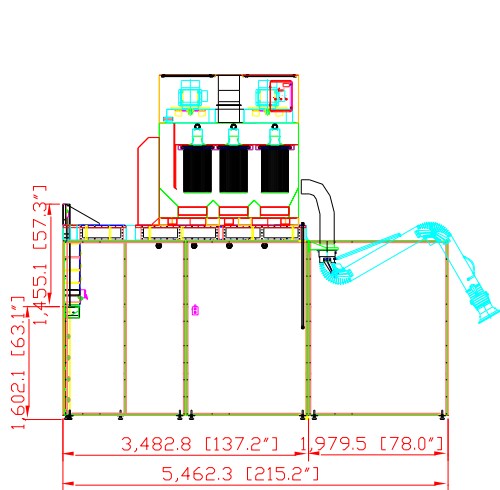
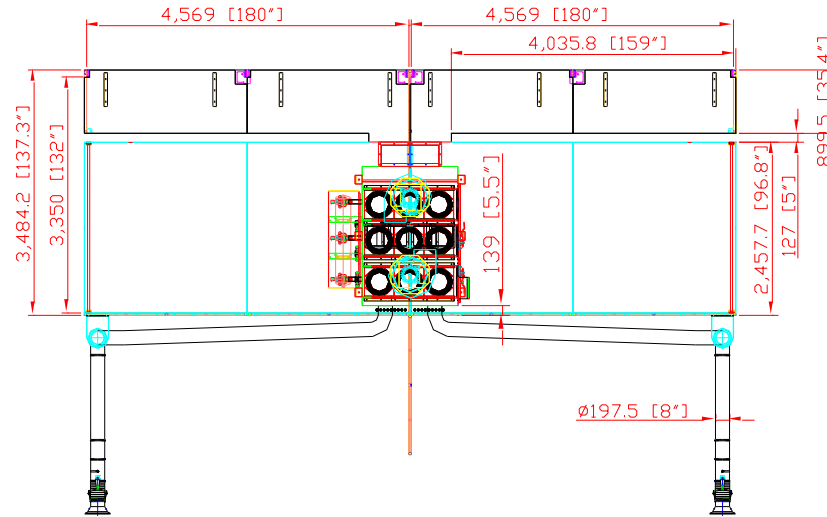
DO NOT SCALE

IF IN DOUBT ASK



Revisions

Rev	Description	Date	Approved
-----	-------------	------	----------



AVANI ENVIRONMENTAL INTL. INC. Sales Department  
 95 Cypress Drive (919) 570-2862  
 Youngsville, NC 27596 info@avanienvironmental.com

Drawn by:	Date	Name	Part Number:
Checked by:	2012-12-03	***	***

Title:  
**WB-6000 series:15'W x 11'D**

The drawings, AutoCAD, 3-D Models, and specifications are the property of Avani Environmental Intl. Inc. (AE) and may not be reproduced, distributed, modified, or otherwise used, except provided herein, without the express written permission of AE.

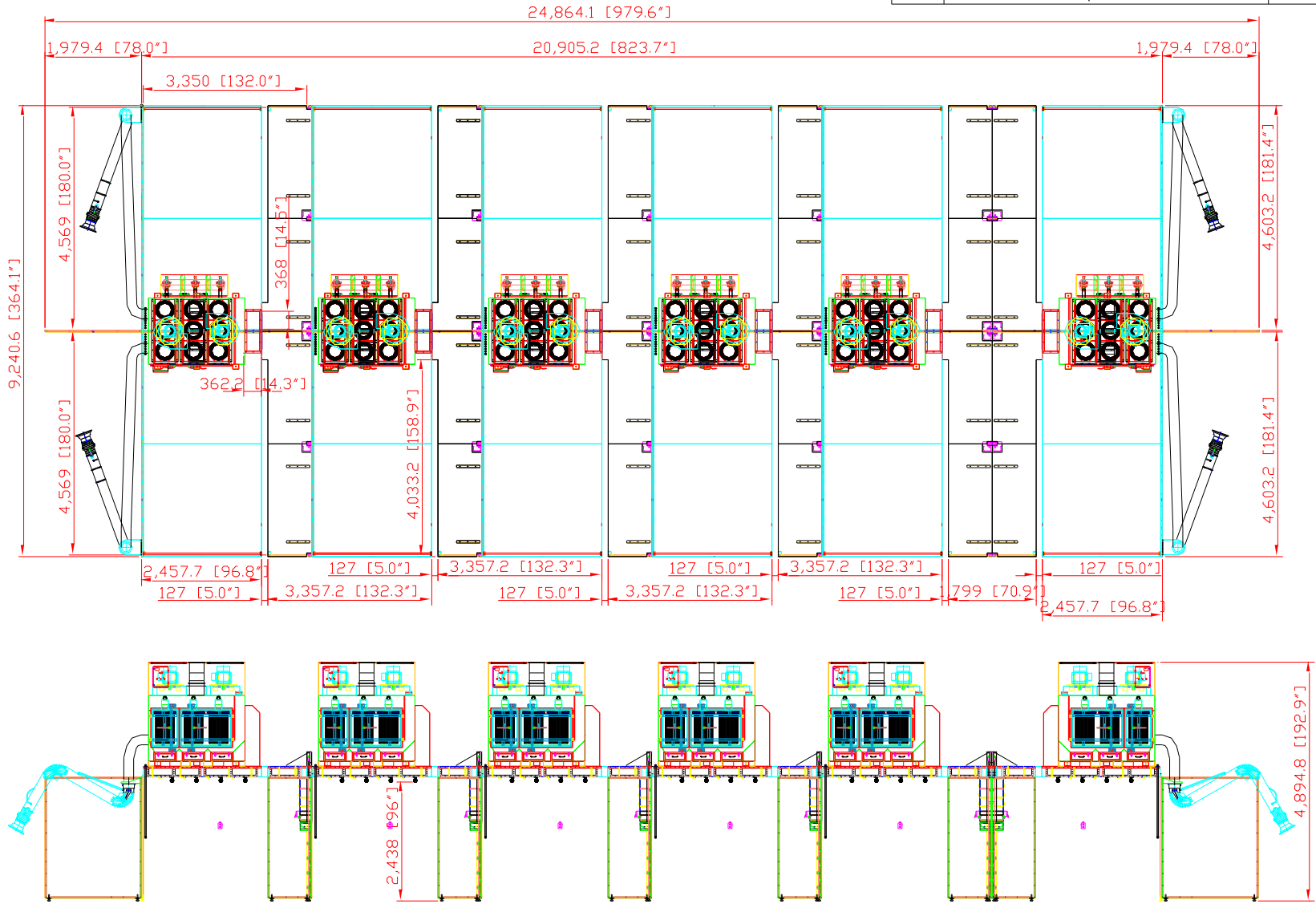
Size	Scale	Drawing Number:
<b>D</b>	1 = 95	15' x 11'

DO NOT SCALE

IF IN DOUBT ASK



Revisions			
Rev	Description	Date	Approved



AVANI ENVIRONMENTAL INTL. INC.  
 95 Cypress Drive  
 Youngsville, NC 27596

Sales Department  
 (919) 570-2862  
 info@avanienvironmental.com

Date	Name	Part Number:
2012-12-03	***	***
Drawn by:	Checked by:	

Title: WB-6000 series:15'W x 11'D

The drawings, AutoCAD, 3-D Models, and specifications are the property of Avani Environmental Intl. Inc. (AE) and may not be reproduced, distributed, modified, or otherwise used, except provided herein, without the express written permission of AE.

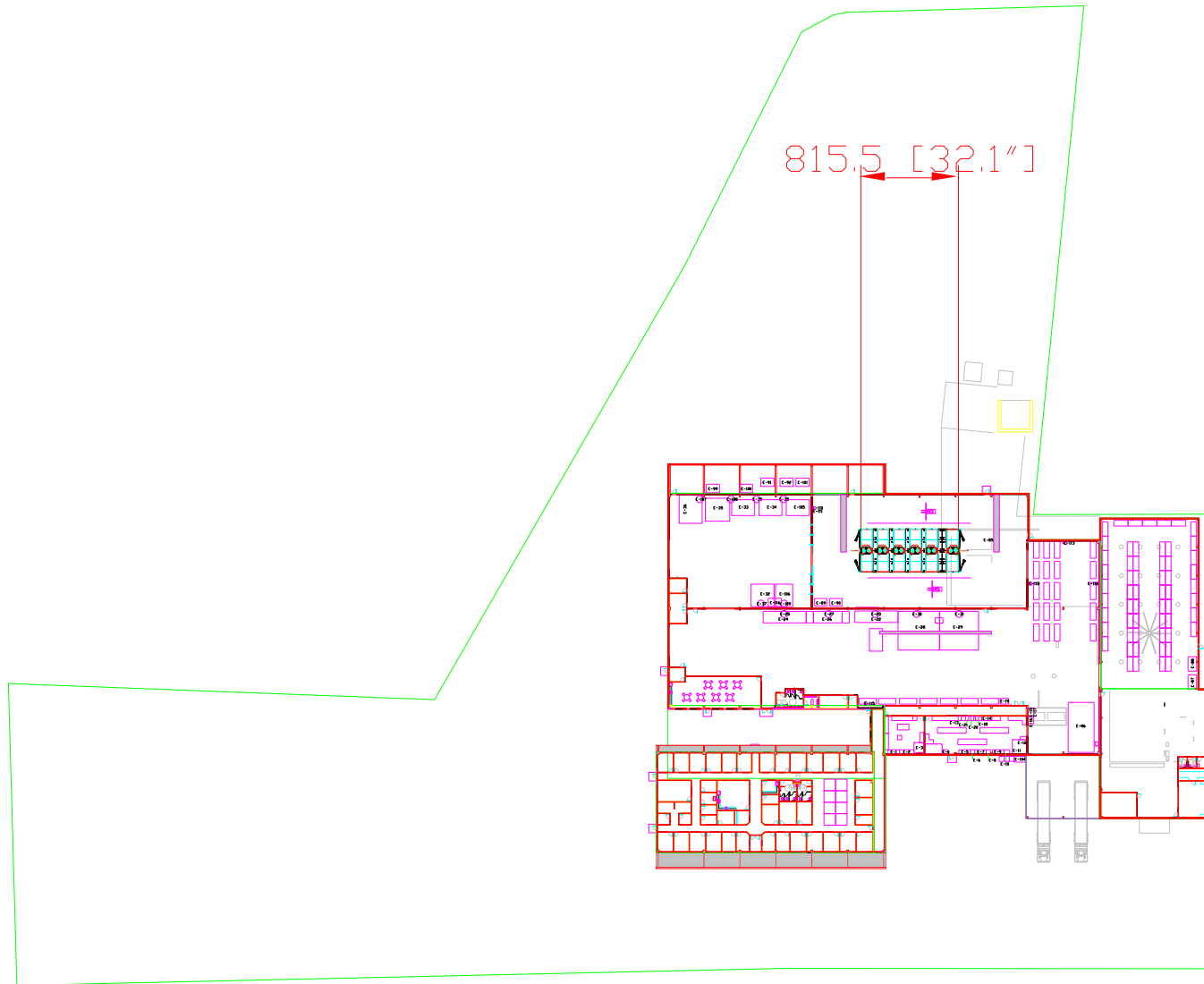
Size	Scale	Drawing Number:
D	1 = 95	15' x 11'

DO NOT SCALE

IF IN DOUBT ASK



Revisions			
Rev	Description	Date	Approved



AVANI ENVIRONMENTAL INTL. INC. Sales Department  
 95 Cypress Drive  
 Youngsville, NC 27596

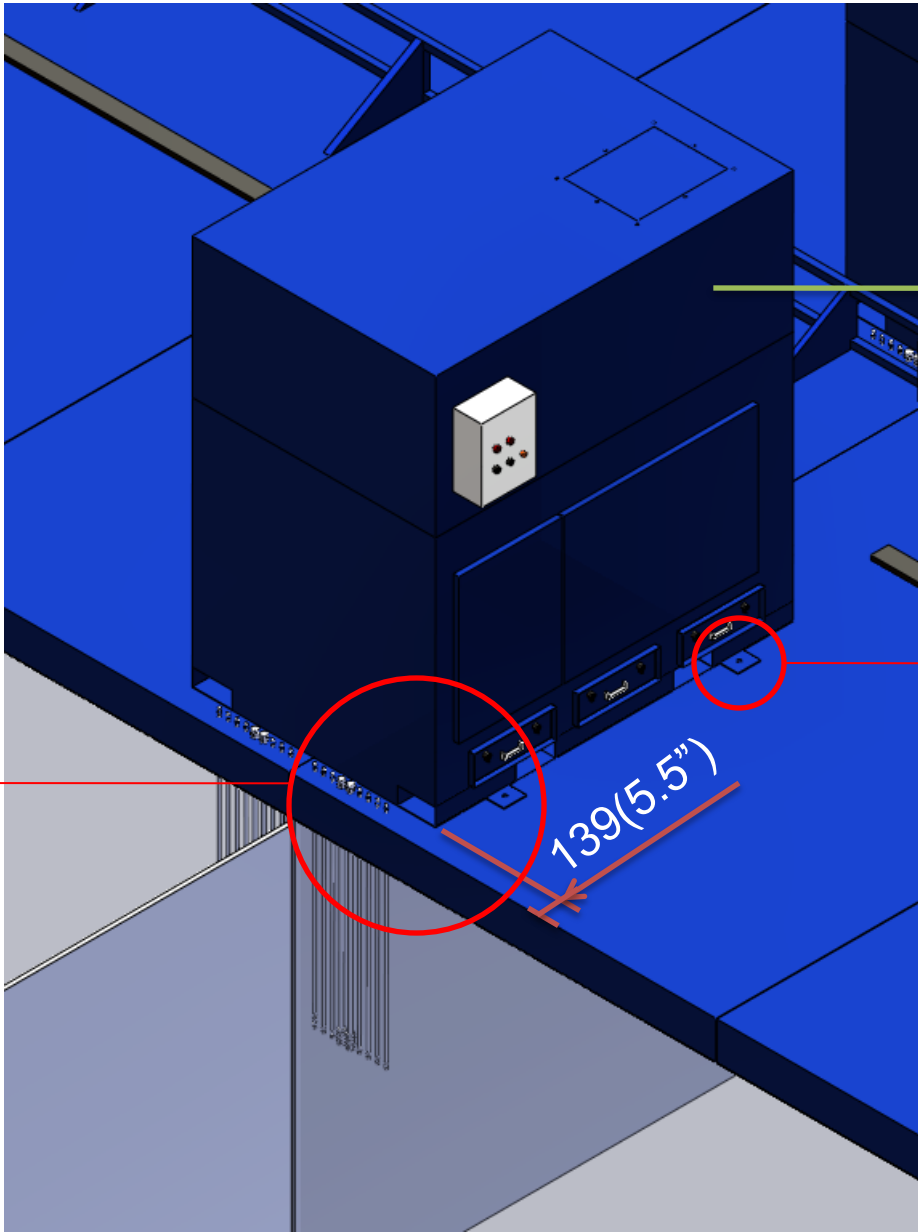
(919) 570-2862  
 info@avanienvironmental.com

Drawn by:	Date	Name	Part Number:
Checked by:	2012-12-03	***	**

The drawings, AutoCAD, 3-D Models, and specifications are the property of Avani Environmental Intl. Inc. (AE) and may not be reproduced, distributed, modified, or otherwise used, except provided herein, without the express written permission of AE.

Title:  
**WB-6000 series: 15'W x 11'D**

Size <b>D</b>	Scale 1 = 50	Drawing Number: 15' x 11'
------------------	-----------------	------------------------------



SDC-15-9  
type I dust  
collector

fixed

Part A

139(5.5")



PART A

61.8(2.4")

(9) Gas lines

212.9(8.4")

139(5.5")

