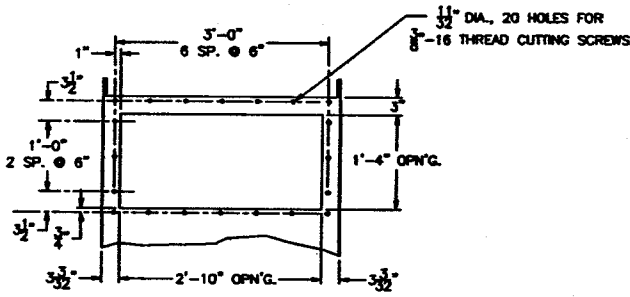


REVISIONS

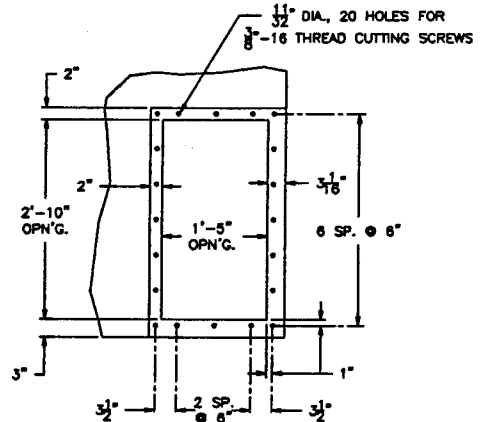
A) REDRAWN & REVISED. DH 2JUN93 SAM  
RWB 14JUNE93

C) DETAIL A REVISED. KWM 19 NOV01  
RK 28 NOV01

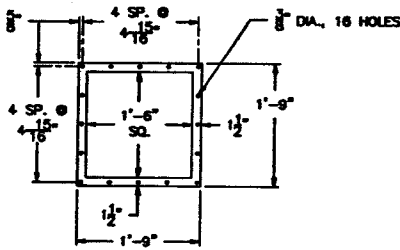
B) DETAIL C REVISED. VIEW E-E, 2" TO 2 15/16"  
ELM 14 SEPT93 SAM/RWB



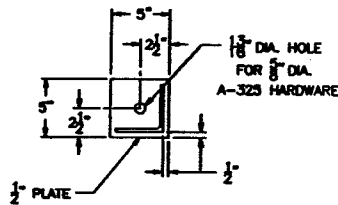
DETAIL A  
OPTIONAL FRONT INLET DRILLING



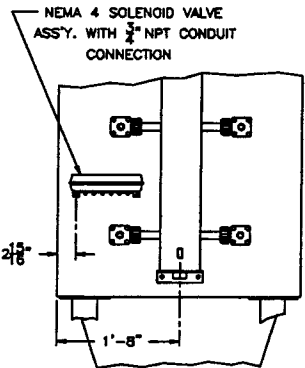
DETAIL B  
SIDE OUTLET DRILLING  
(TYP. EACH SIDE)



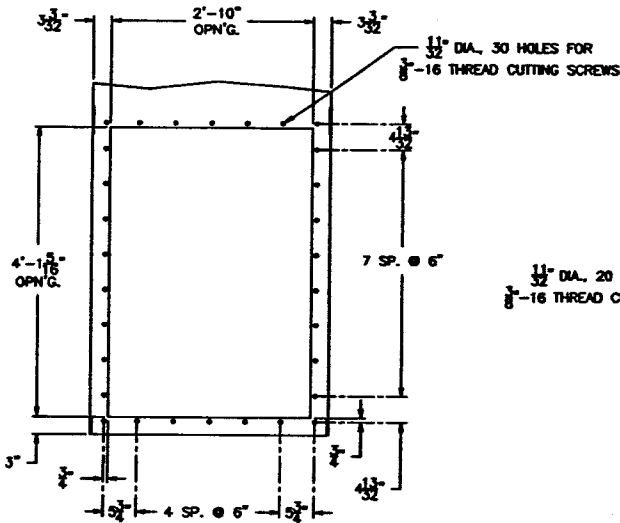
DETAIL C  
HOPPER DISCHARGE DRILLING



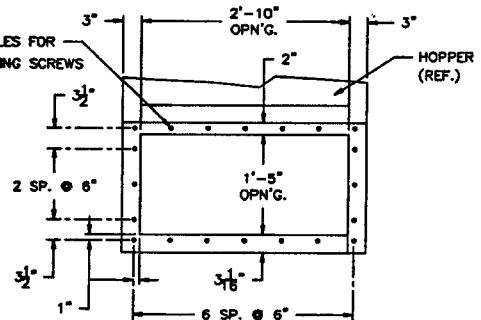
SECTION D-D  
BASE PAD DRILLING  
(TYP. EACH LEG)




VIEW E-E



TOP HOUSING DRILLING  
WITHOUT STANDARD TOP INLET



DETAIL G  
BOTTOM OUTLET DRILLING

DRAWN RB	DATE DEC 4 92	CHECKED SAM	DATE 5JAN93	APPR. RLK	DATE 6JAN93	SUPERSEDES U135P-1643634-B
 © 215 Central Ave PO Box 35690 Louisville, Ky 40232-5690						DRAWING NO. U135P-1643634-C

DETAILS, OPTIFLO ROUND CARTRIDGE COLLECTOR