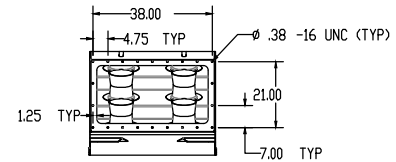
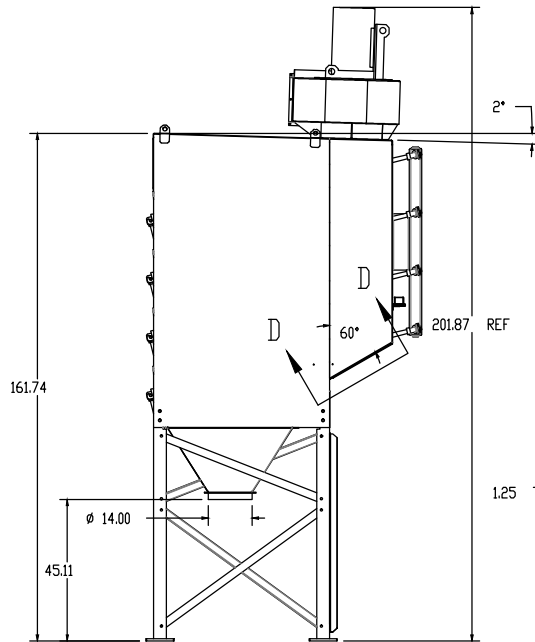
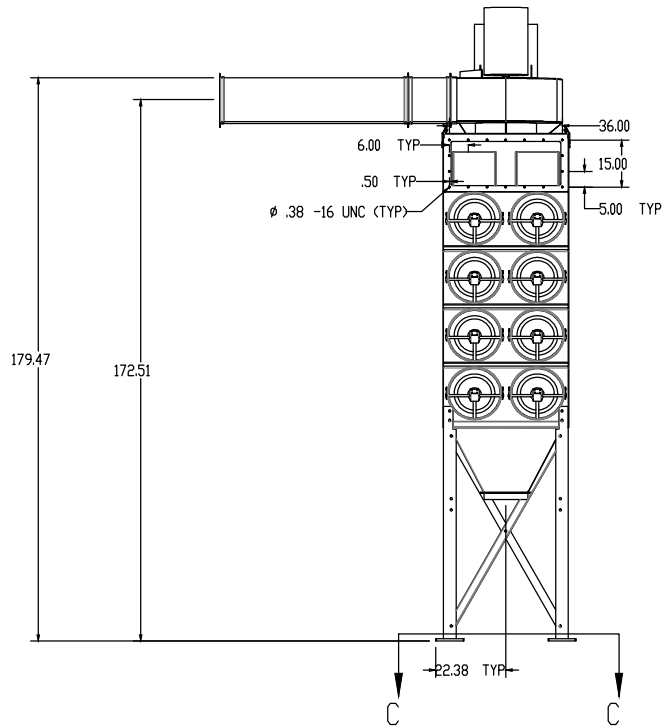
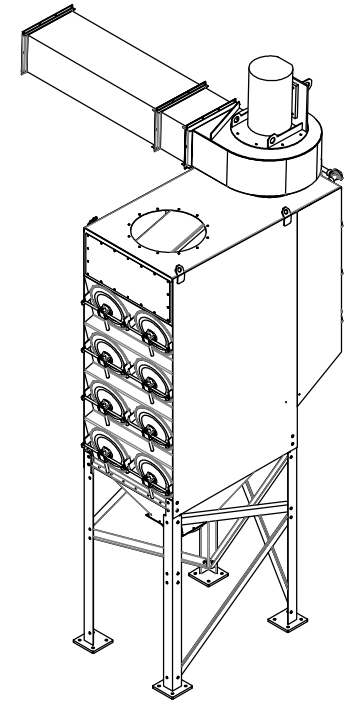


SECTION C-C



SECTION D-D

Avani Environmental Intl. Inc.
95 Cypress Drive
Youngsville, NC 27596
P# 919-488-2862 F# 919-488-2863

Avani

Project: Ventaire

Drawing: ACT-4-16

Date: 05/24/13

Sheet No: 1 OF 1