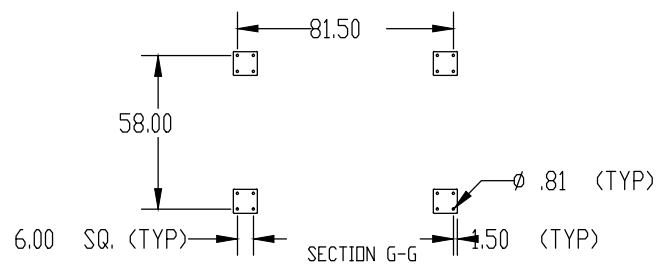
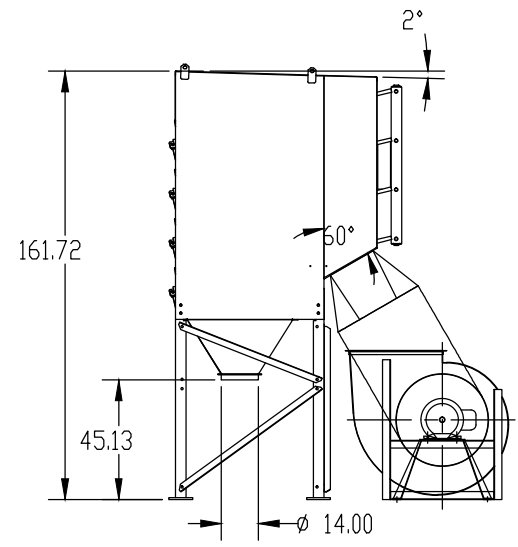
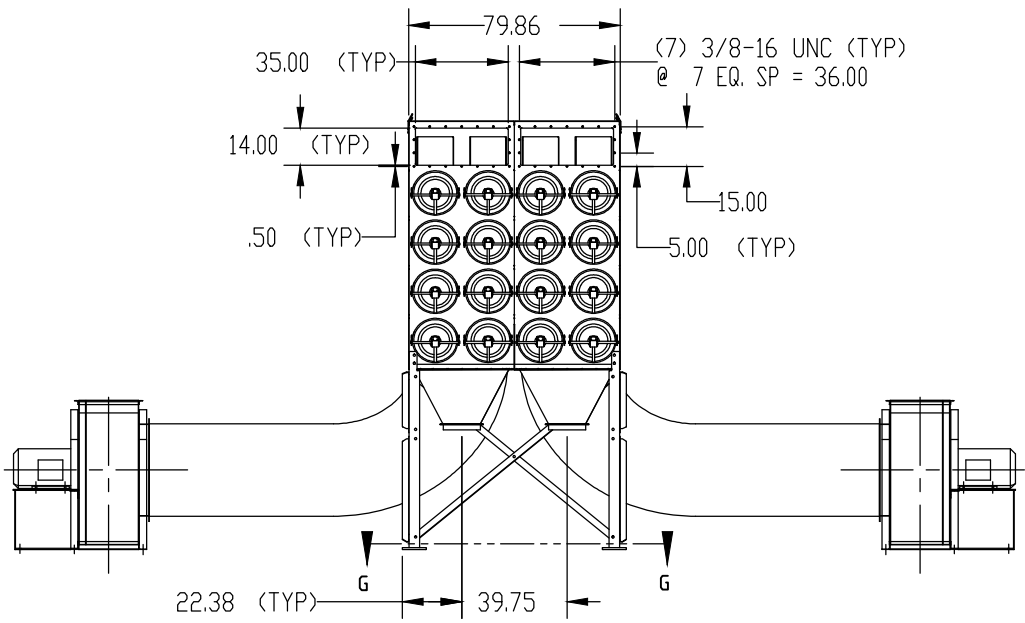


PRELIMINARY DRAWING  
 DATE: 5/24/13  
 BY: JX



Avani Environmental Intl. Inc. 95 Cypress Drive Youngsville, NC 27596 P# 919-488-2862 F# 919-488-2863		<h1 style="color: blue;">Avani</h1>
Project: Ventaire Drawing: Fan Setup		
Date: 05/24/13		
Sheet No:		1 OF 1