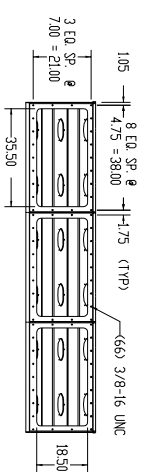
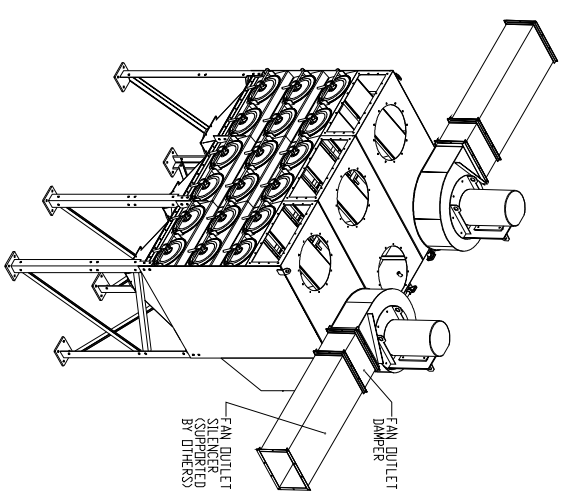
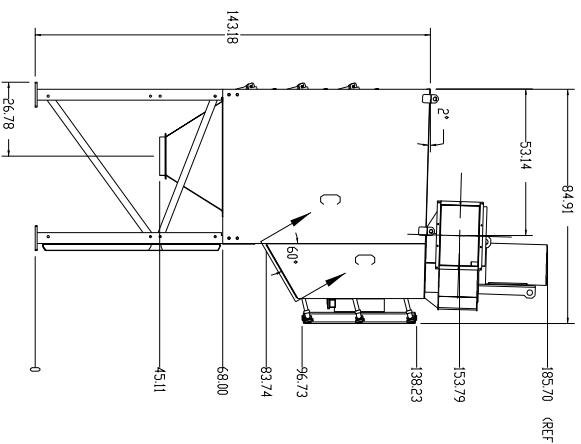
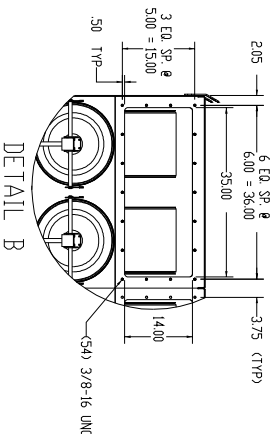
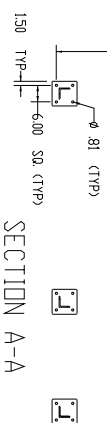
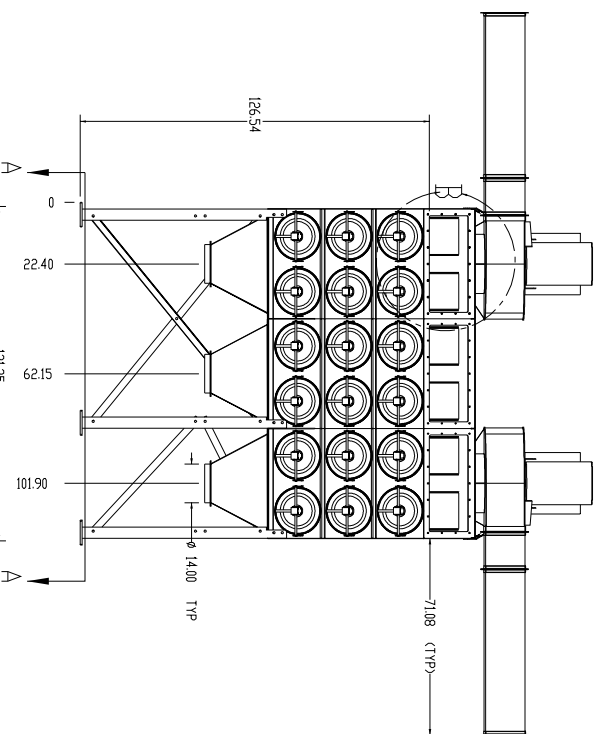
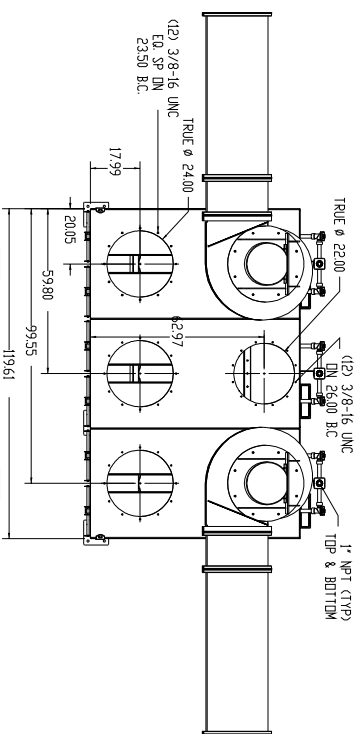


UA LOCAL 5 SDC-AT-3-36



SECTION C-C

Avani Environmental Intl. Inc.
95 Cypress Drive
Youngsville, NC 27596
P# 919-488-2862 F# 919-488-2863

Avani

Project: UA LOCAL 5

Drawing: SDC-AT-3-36

Date: 9/12/13 Drawn by: MDT

Sheet No: 1 OF 1