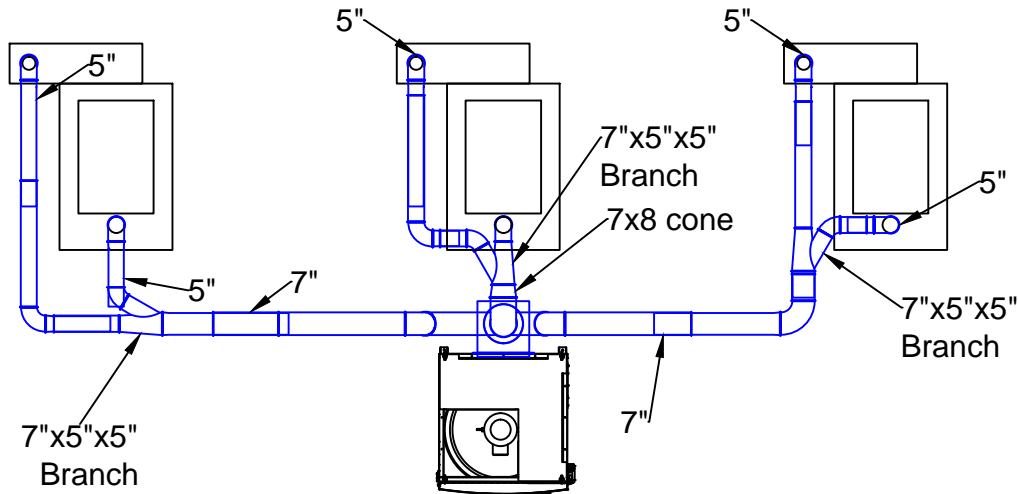
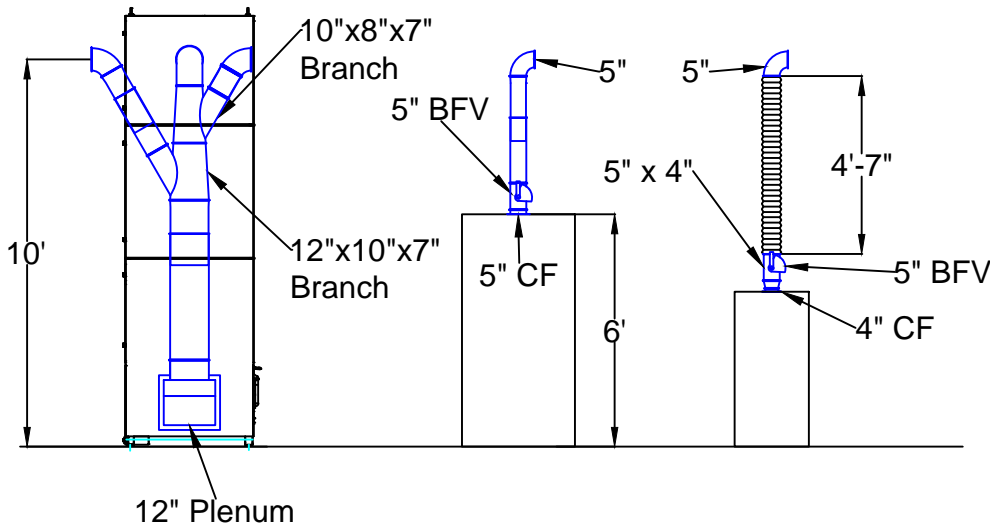


Truform IAF - Area 3 Duct Layout



Plan View



Elevation View

Notes:

1. Jacobs Tubing
2. A-Smoke 40
3. Butterfly Valves on every drop for flow control

Avani Environmental
95 Cypress Drive
Youngsville, NC 27596
P# 919-570-2862 F# 919-570-2863

Avani

Project: Truform IAF - Area 3

Drawing: Duct Layout

Date: 7/17/13

Drawn by: MDT

Sheet No: 1

Rev.: 0