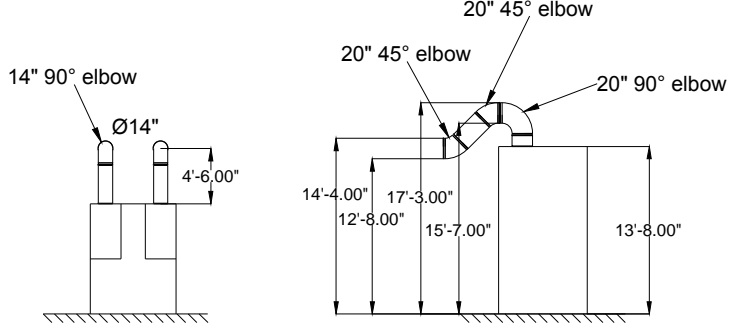
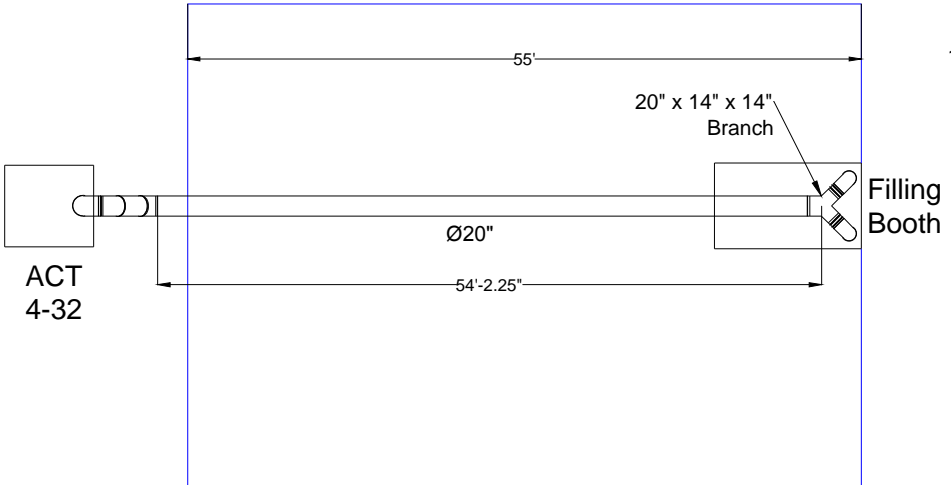
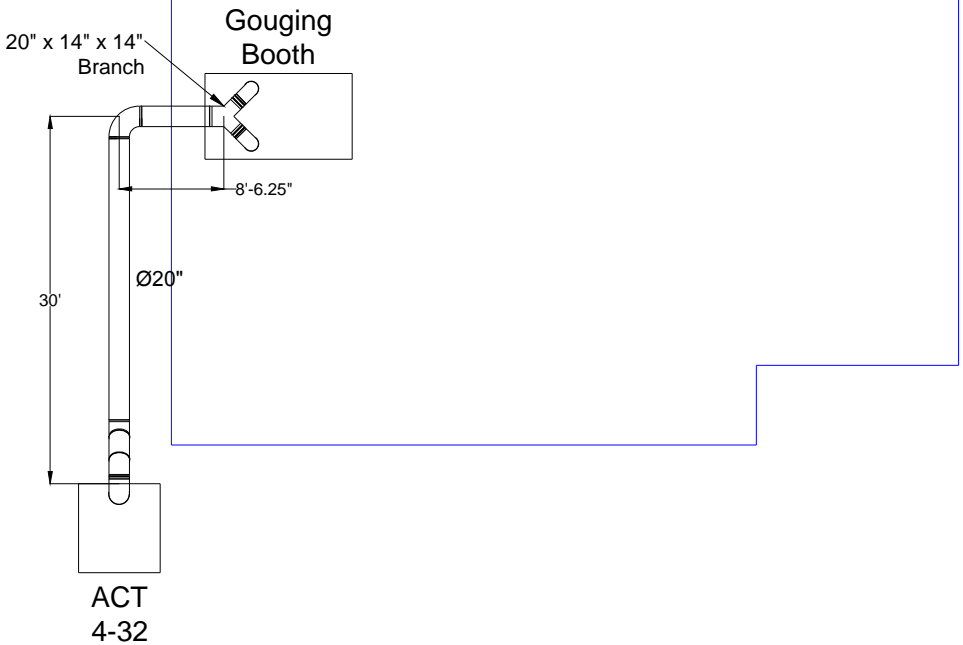


# Trinity Forge Duct Layout



Elevation View



Plan View

- Notes:
1. Ceiling Height 16' - 18'
  2. Use Spiral Duct
  3. Silencers to exhaust
  4. Spark arrestors in both lines

Avani Environmental Intl. 95 Cypress Drive Youngsville, NC 27596 P# 919-570-2862 F# 919-570-2863		<h1>Avani</h1>
Project: Trinity Forge		
Drawing: Duct Layout		
Date: 3/8/12	Drawn by: MDT	
Sheet No: 1 of 1	Rev.: 0	