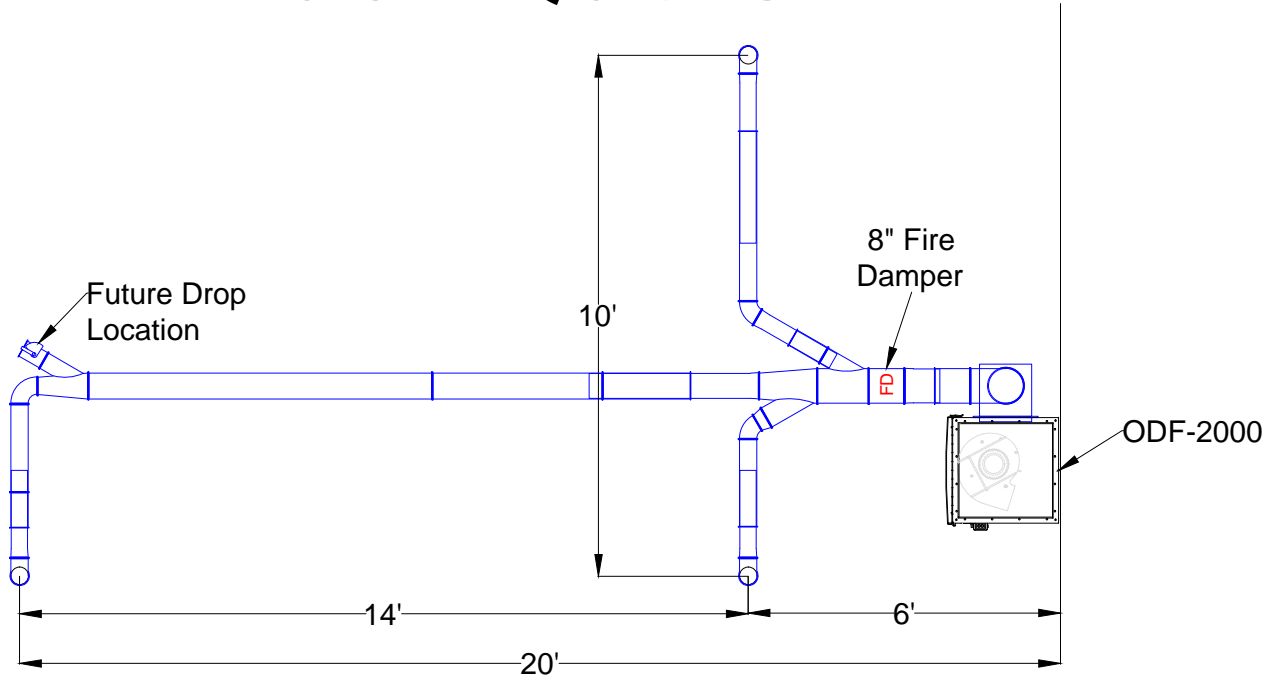
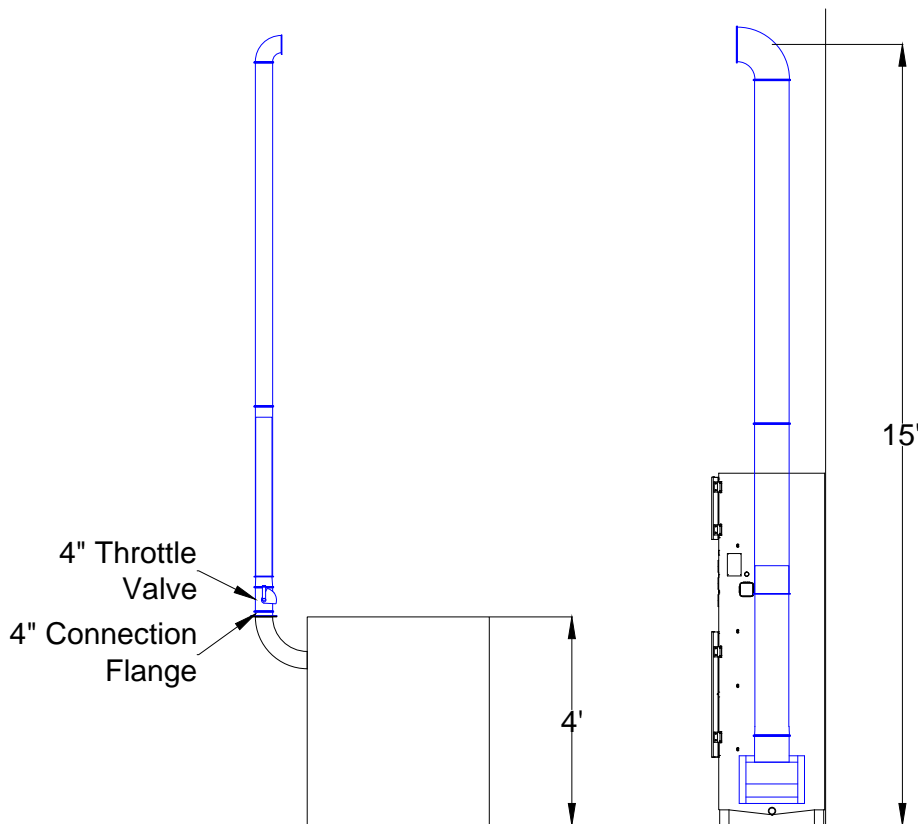


Thomson Linear Duct Quote



Plan View



Elevation View

Avani Environmental
95 Cypress Drive
Youngsville, NC 27596
P# 919-570-2862 F# 919-570-2863

Avani

Project: Thomson Linear

Drawing: Duct Layout

Date: 9/19/13

Drawn by: MDT

Sheet No: 1

Rev.: