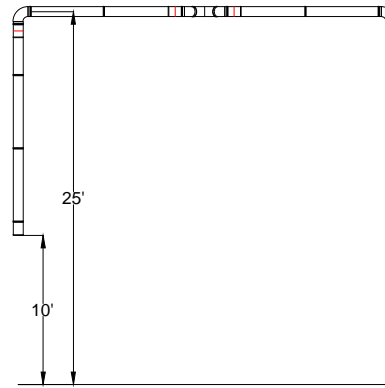
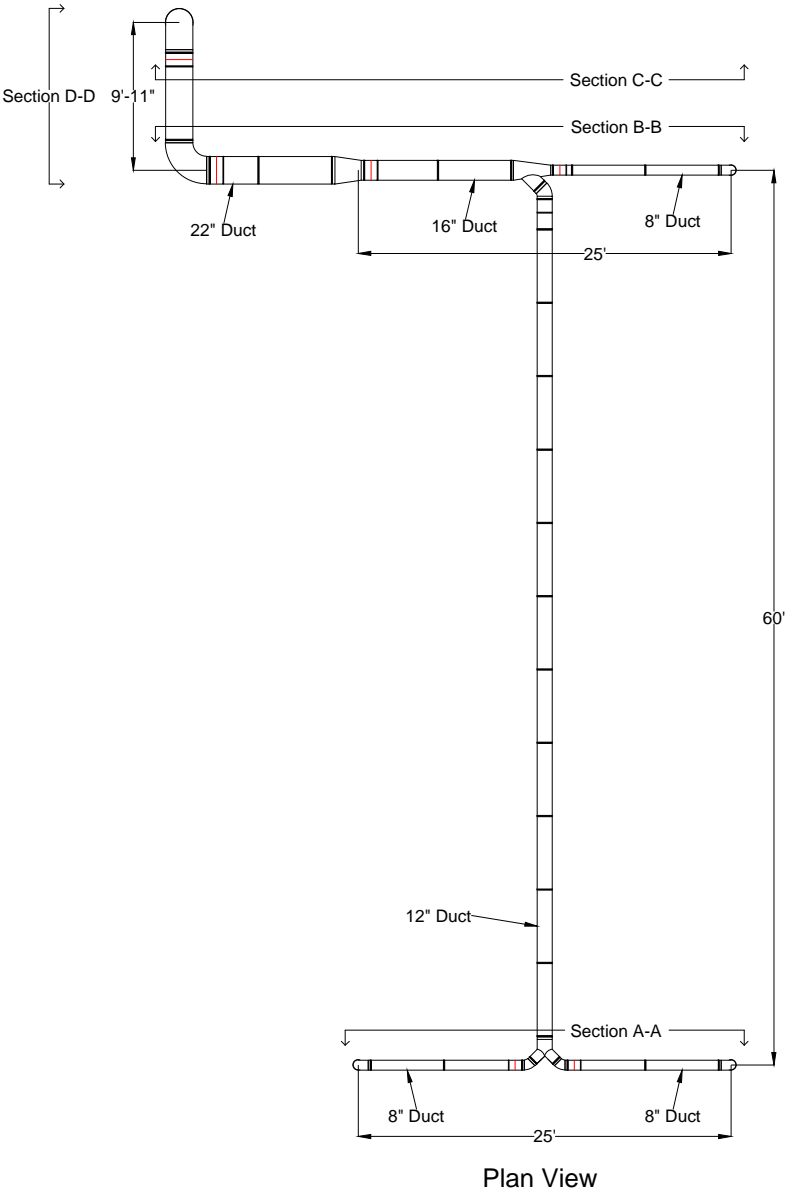
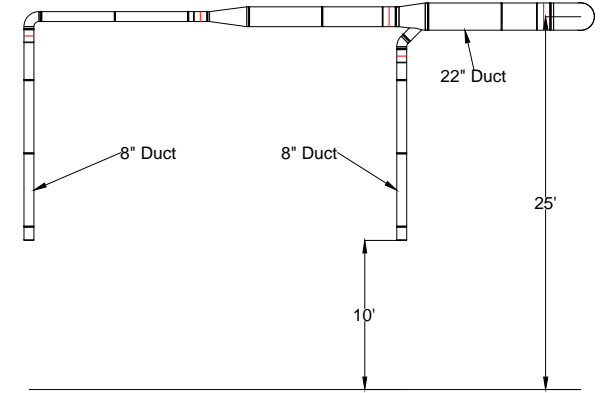


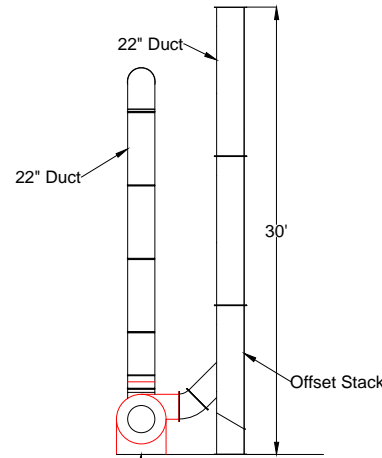
# Duct Quote - Houma LA



Section A-A

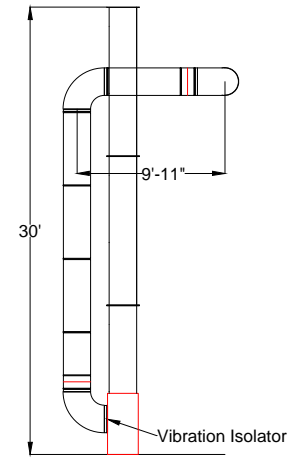


Section B-B



Section C-C

Fan (already on site)  
Assume Ø18" inlet,  
24" x 12" outlet



Section D-D

Avani Environmental Int.  
95 Cypress Drive  
Youngsville, NC 27596  
P# 919-570-2862 F# 919-570-2863



Project: Duct Quote	
Drawing: Duct Layout	
Date: 8/9/2013	Drawn by: MDT
Sheet No: 1 of 1	Rev.: 0