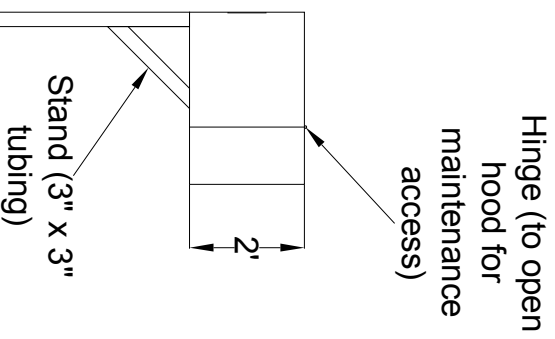
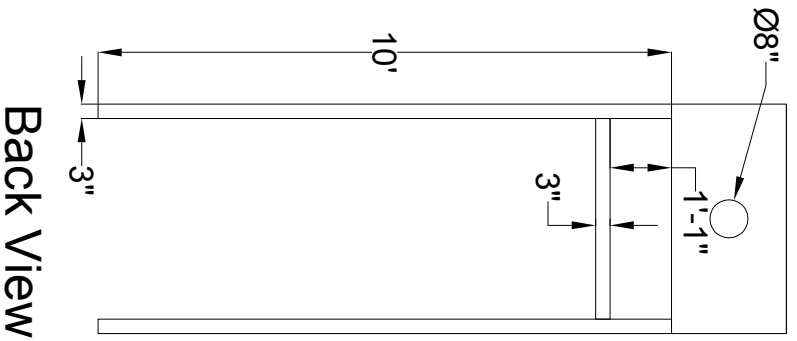
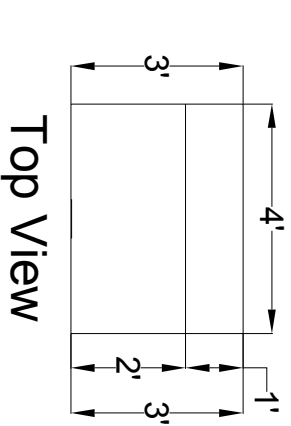
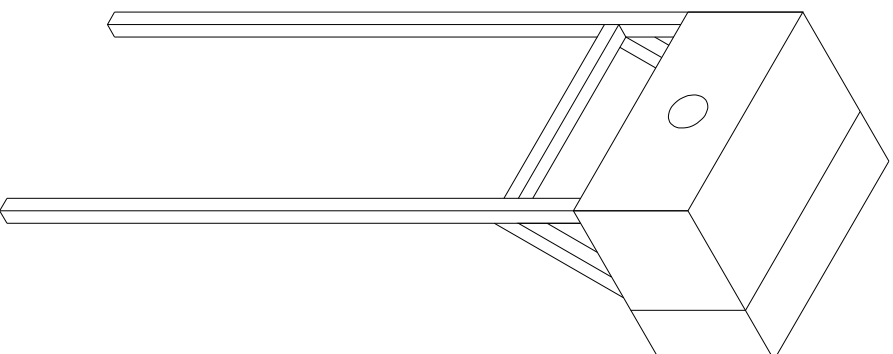


Custom Hood SKF Flowery Branch



Isometric View
(Closed Hinge)



Isometric View
(Open Hinge)

