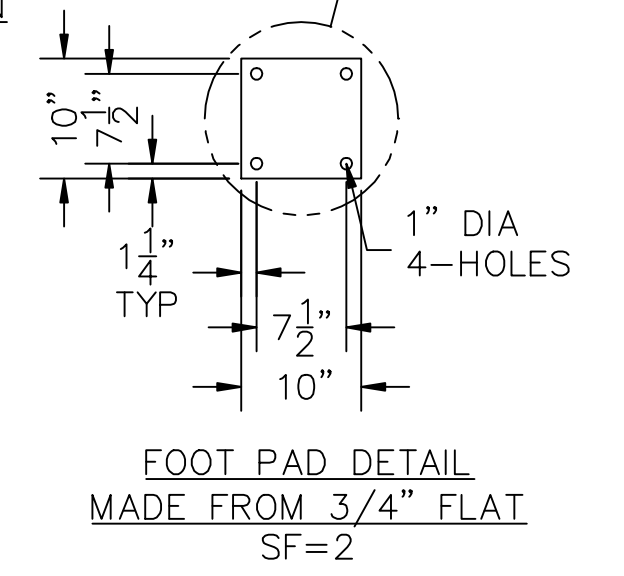
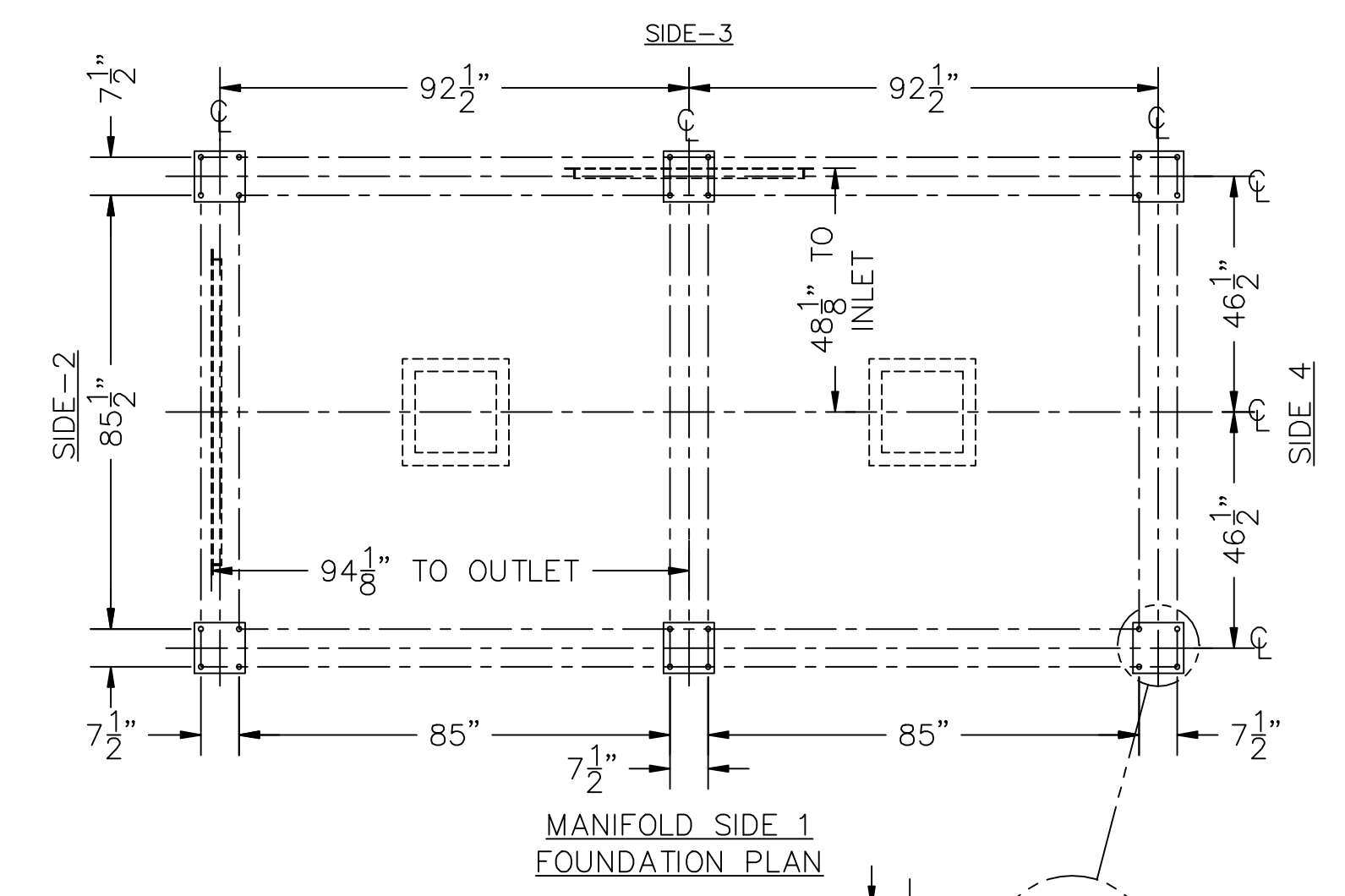
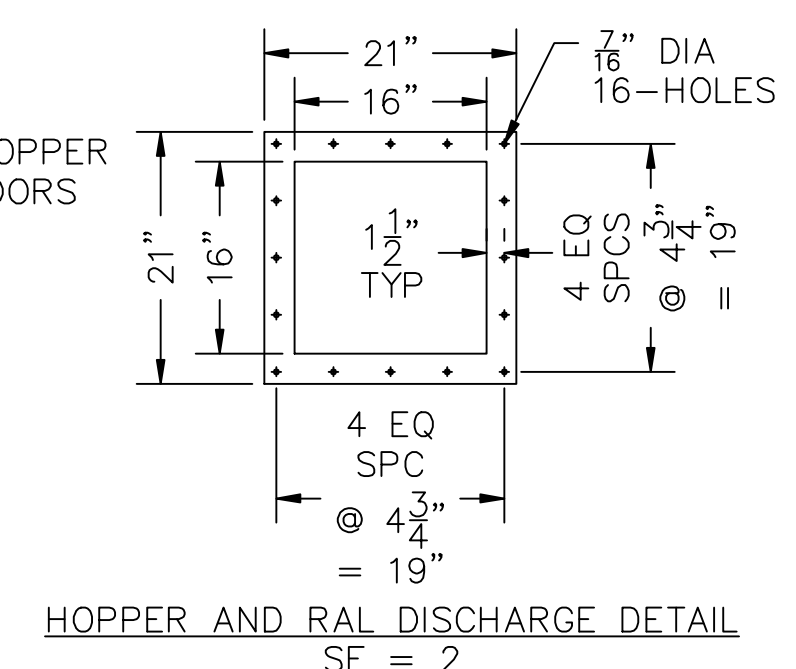
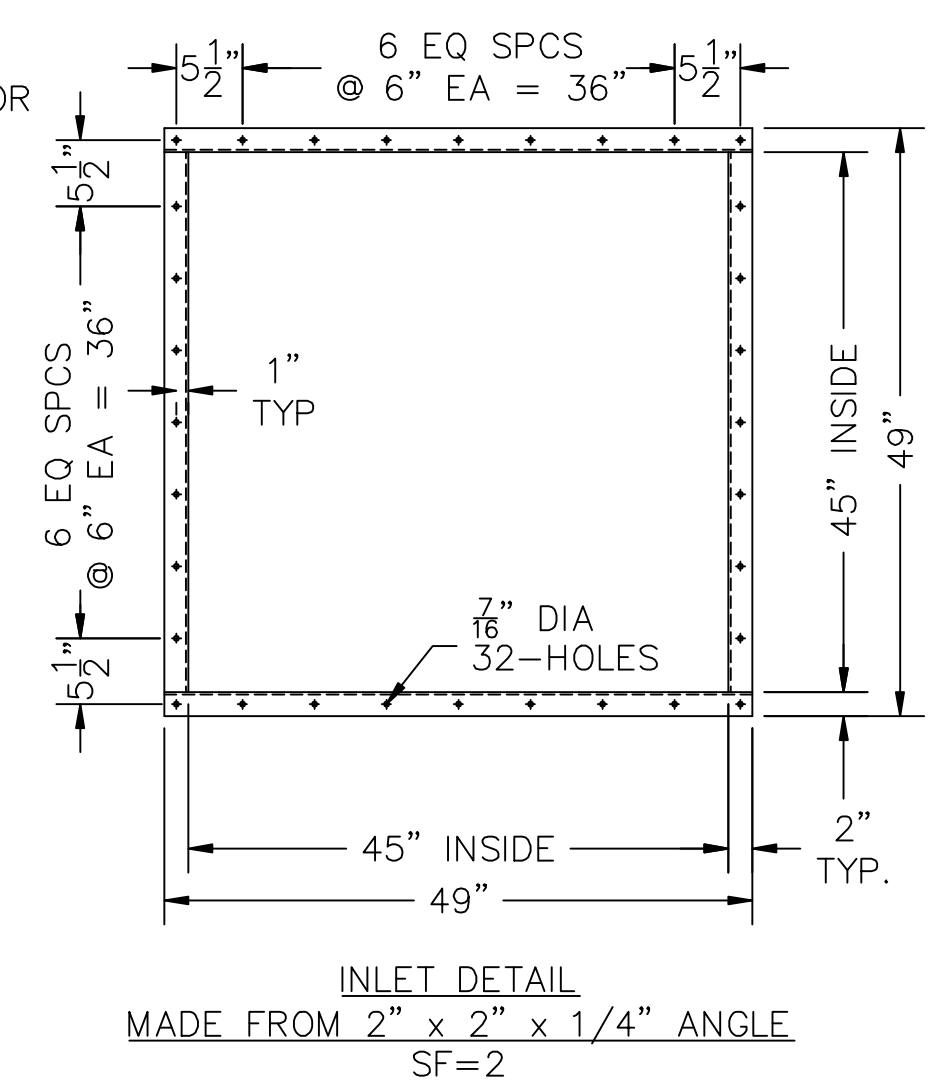
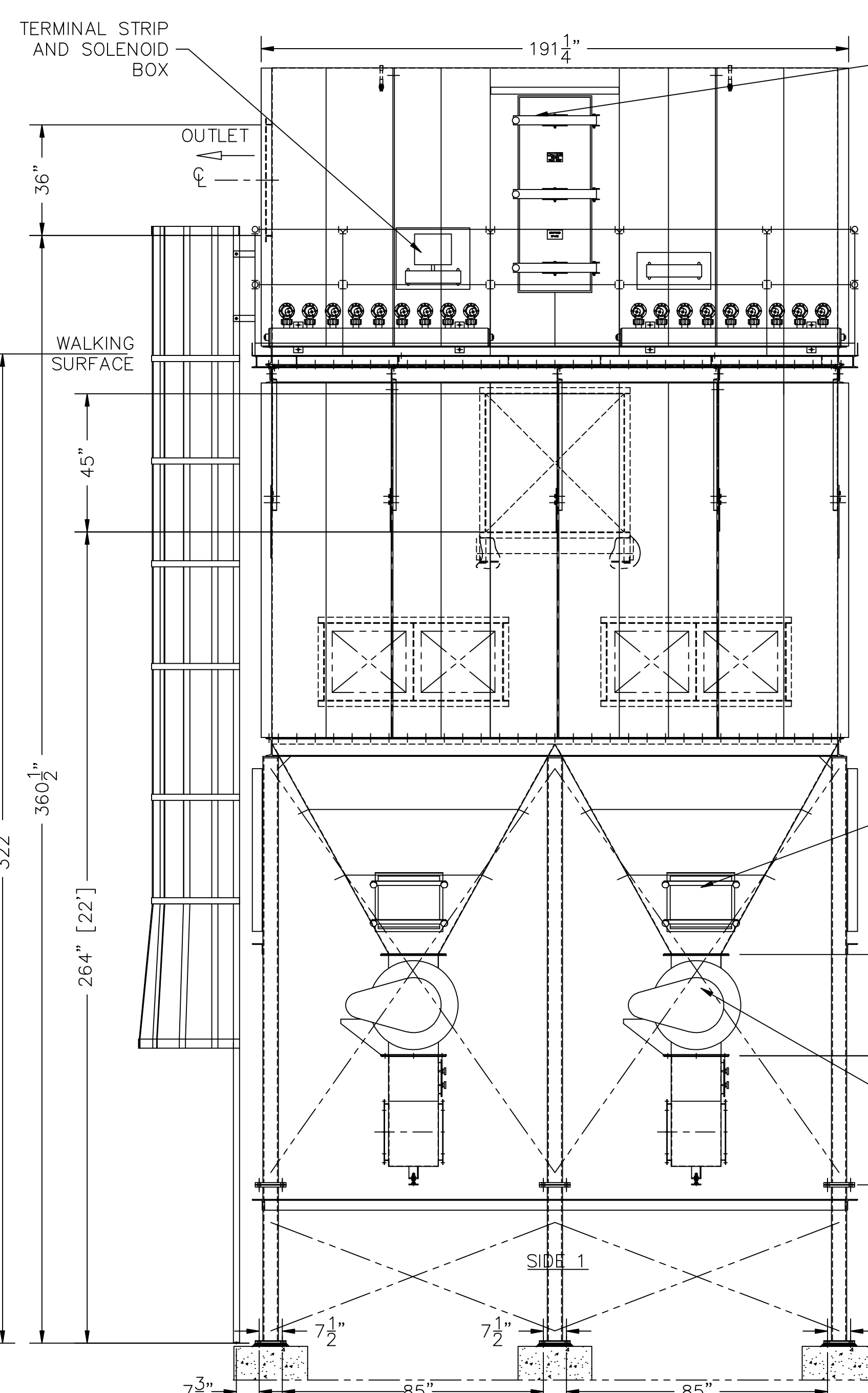
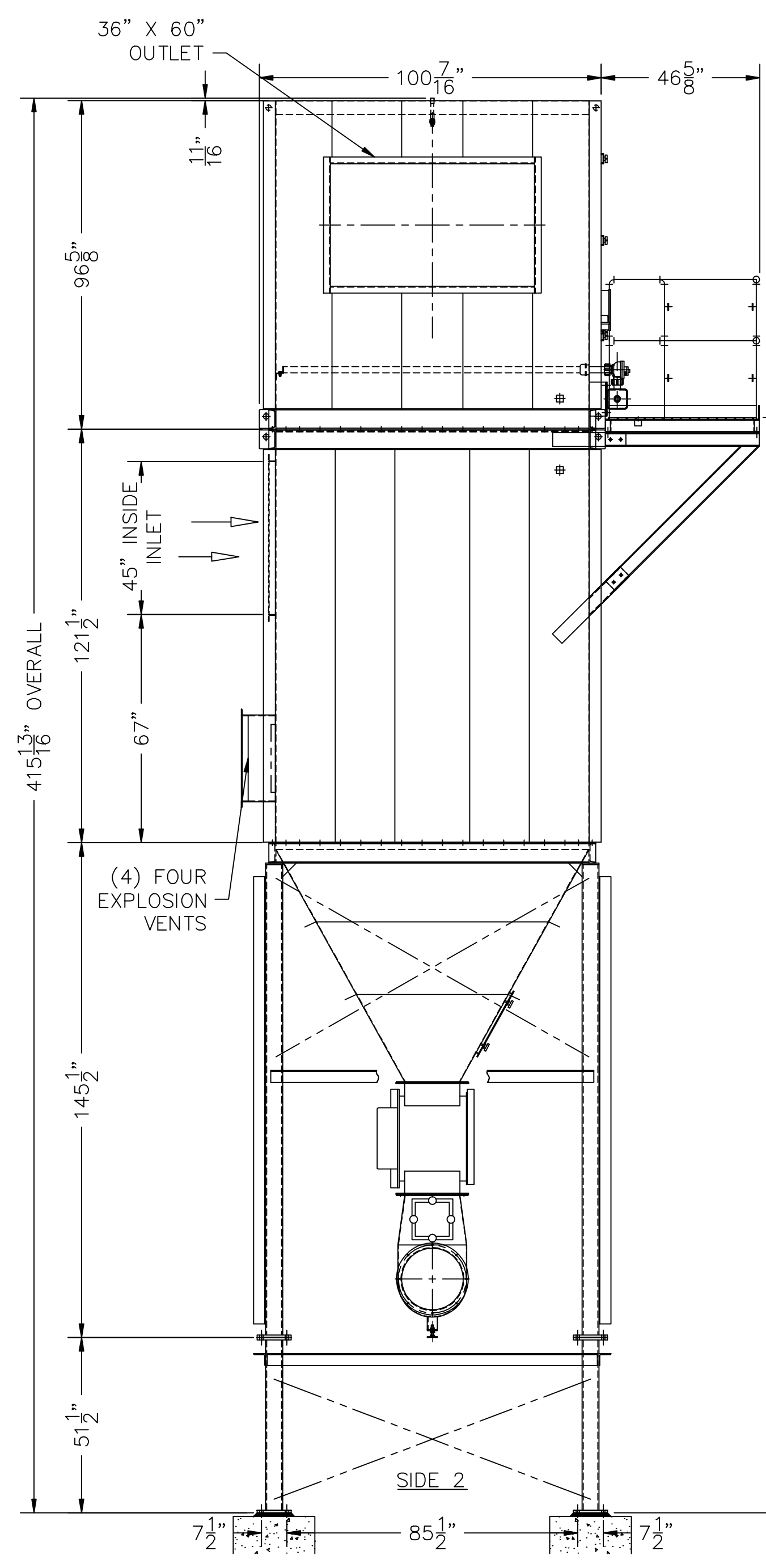
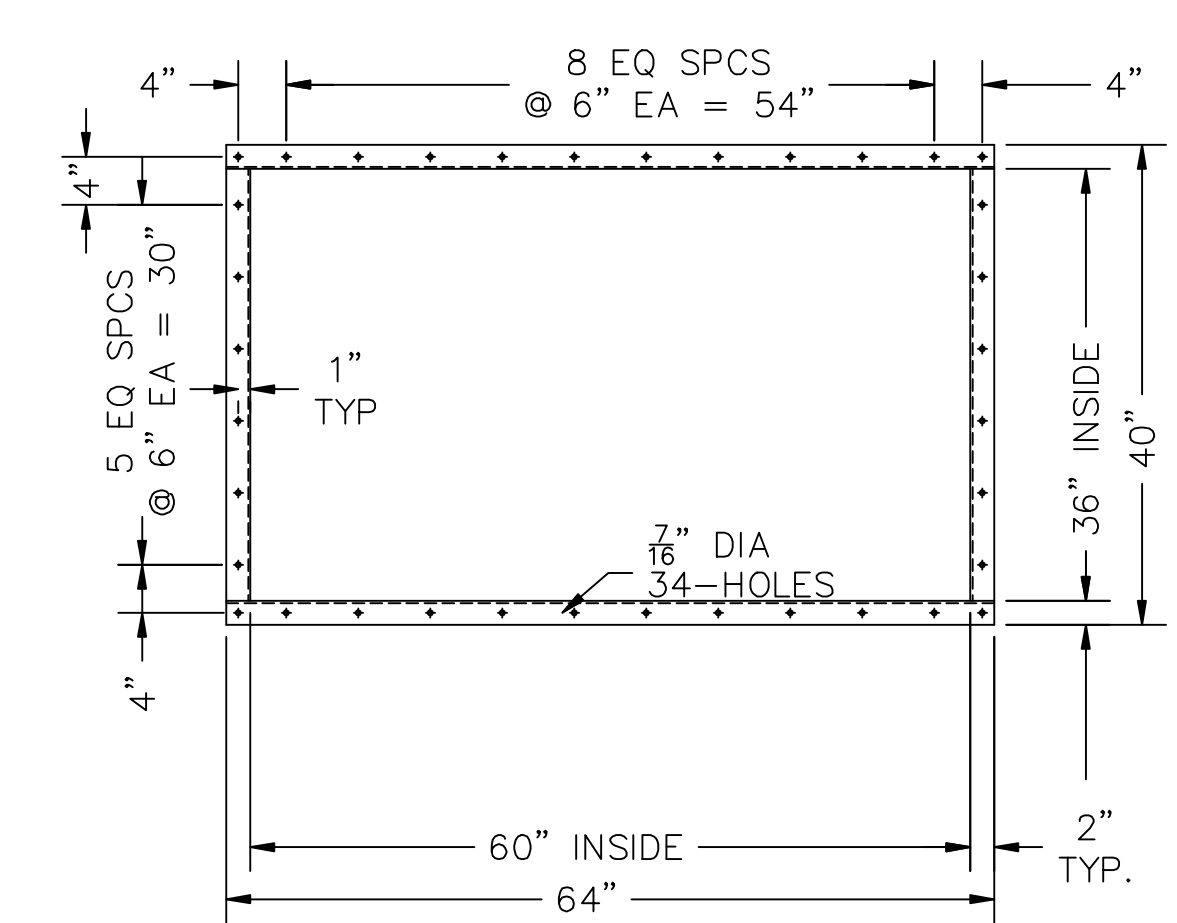
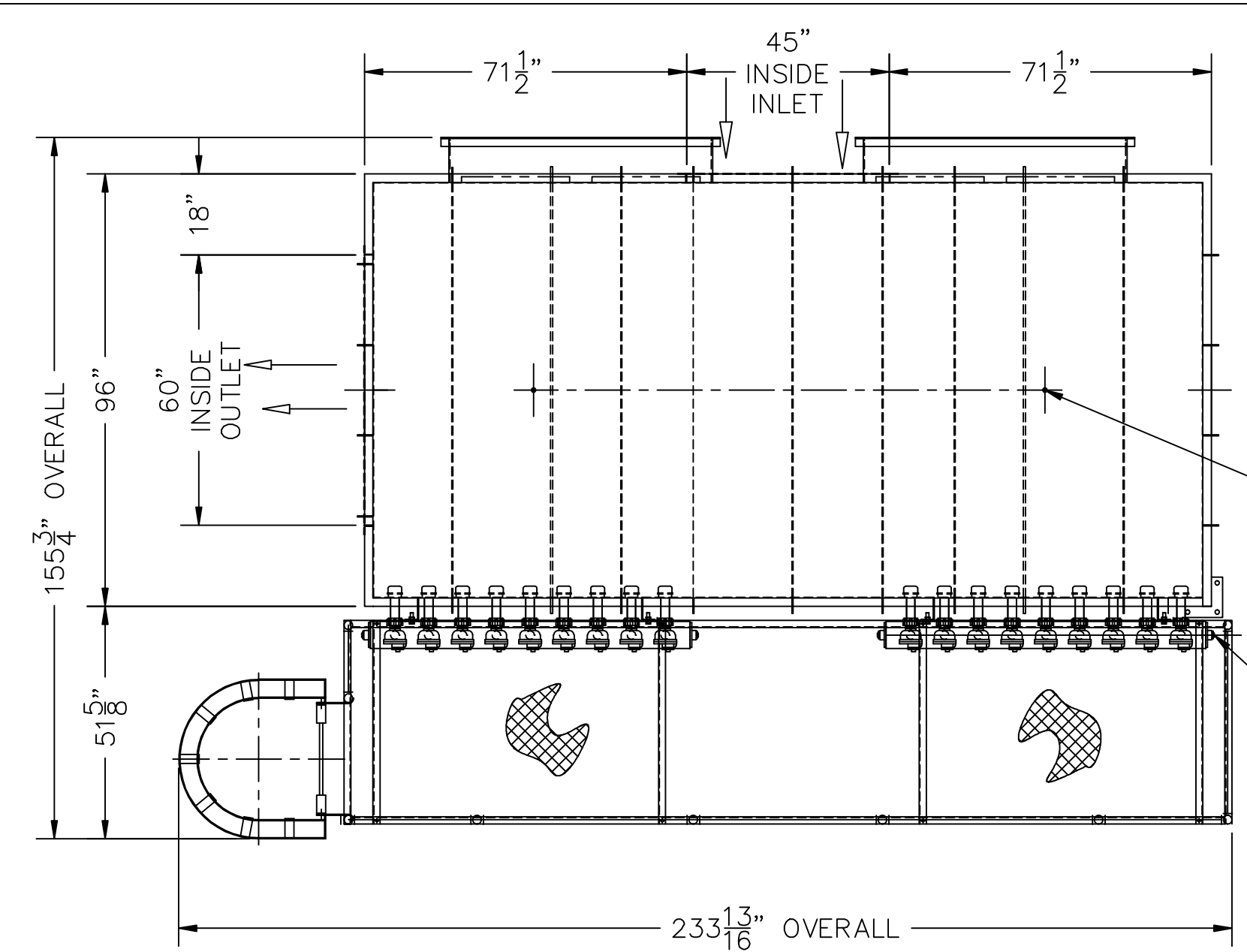


BILL OF MATERIAL				
FIG.	DESCRIPTION	PART NO.	DWG NO.	MATL. ITEM
1	UPPER BIN ASSEMBLY			1
1	LOWER BIN ASSEMBLY			2
1	HOPPER ASSEMBLY			3
1	PLATFORM ASSEMBLY			4
1	HARDWARE BAG			5
25	(GAL) PAINT (GRAY)	503647		6
4	LOGO STICKER			7
1	STICKER "WATCH YOUR STEP"			8
*	CAGED LADDER (288")			9
*	(2) ROTARY AIR LOCK 16" x 16"	532313		10
*	(2) SPRINKLER HEADS	503467		11
*	(4) EXPLOSION VENT	500896		13

* SEPARATE LINE ITEM ON ORDER

- SCIENTIFIC SPJ-216-X410 DUST COLLECTOR SPECIFICATIONS:**
- 1. NUMBER OF BAGS 216
 - 2. BAG LENGTH 10 FT.
 - 3. FILTER SURFACE AREA 2545 SQ. FT.
 - 4. COMPRESSED AIR REQUIREMENTS
SCFM @ 90-100 PSIG 20
CLEAN DRY AIR
 - 5. NUMBER OF VALVES 18 (1 1/2")
 - 6. INLET OPENING 45" x 45"
 - 7. OUTLET OPENING 36" x 60"
 - 8. TWO HOPPER DISCHARGE OPENINGS 16" x 16"
 - 9. HINGED ACCESS DOOR IN CLEAN AIR PLENUM 20" x 60"
 - 10. ACCESS DOOR IN EACH HOPPER 20" x 20"
 - 11. NEMA 4 CONTROL PACKAGE 120 V. 1 PH. 60 HZ.
 - 12. HOUSING MATERIAL 12 GA. HRS
 - 13. APPROXIMATE SHIPPING WEIGHT 14,500 LBS.



PLEASE SIGN APPROVED FOR MANUFACTURE: _____ DATE: _____

CERTIFIED PRINT
USE ONLY FOR
YOUR ORDER
OUR ORDER 64891
CUST. R.T. LONDON
DATE _____ O.K.

TITLE: SPJ-216-X4110 FABRIC DUST COLLECTOR FOR R.T. LONDON

TOLERANCE UNLESS OTHERWISE NOTED
.000 ± FRACTIONS ± 1/8" ANGLES ±

DRN BY: B.G.M. CHKD BY: _____
DATE: 10/25/12 SCALE: 1/32"=1"
REFER TO: 471437

SCIENTIFIC DUST COLLECTORS
4101 WEST 126TH ST.
ALSIP, ILLINOIS 60803 U.S.A.

DRAWING NO. 64891 REV. NO. _____