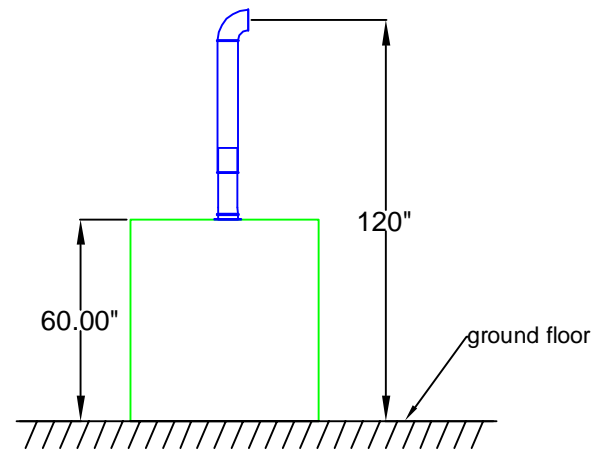


Elevation @ A mist 20t



Typical Elevation based on machine height of 5'
of drops = 2



Paramont Die Take-off ODF-2000 system

Avani Environmental Int'l. Inc.
95 Cypress Drive
Youngsville, NC 27596
Ph 919-570-2862 Fax 919-570-2863

Avani

Project:	PARAMONT DIE
Drawing:	ODF-2000 Duct run
Date:	01-08-2013 Drawn by: J.T.L

This document was created with Win2PDF available at <http://www.win2pdf.com>.
The unregistered version of Win2PDF is for evaluation or non-commercial use only.
This page will not be added after purchasing Win2PDF.