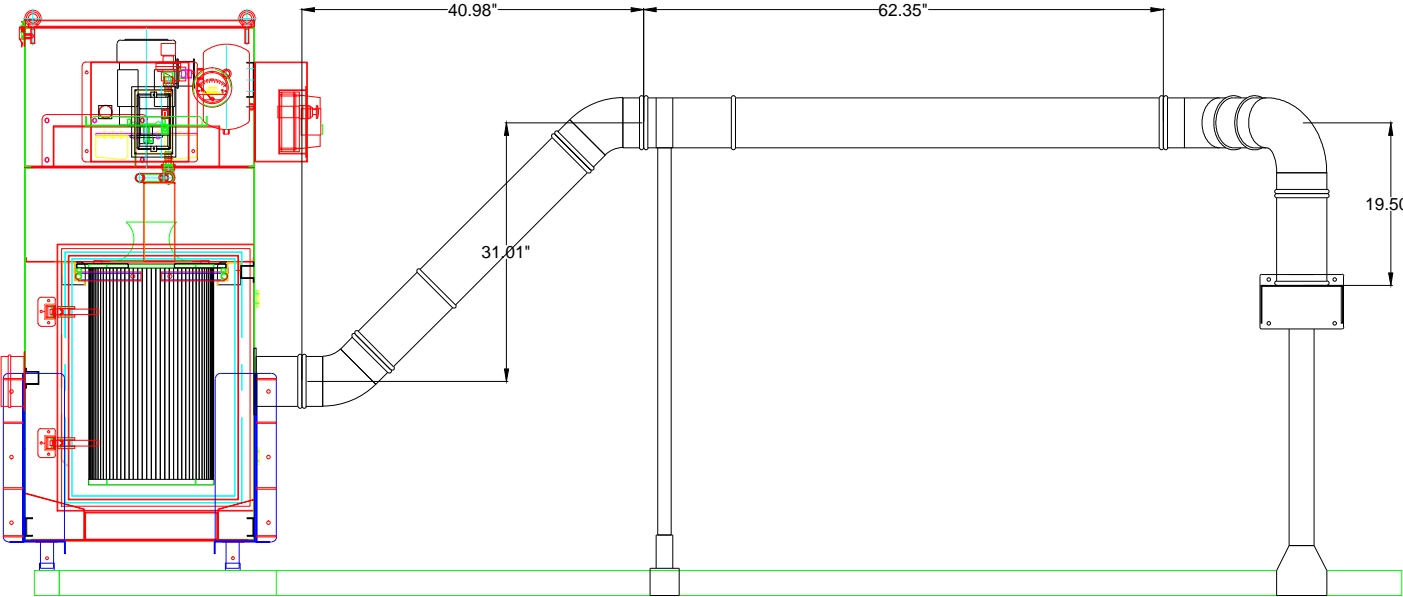
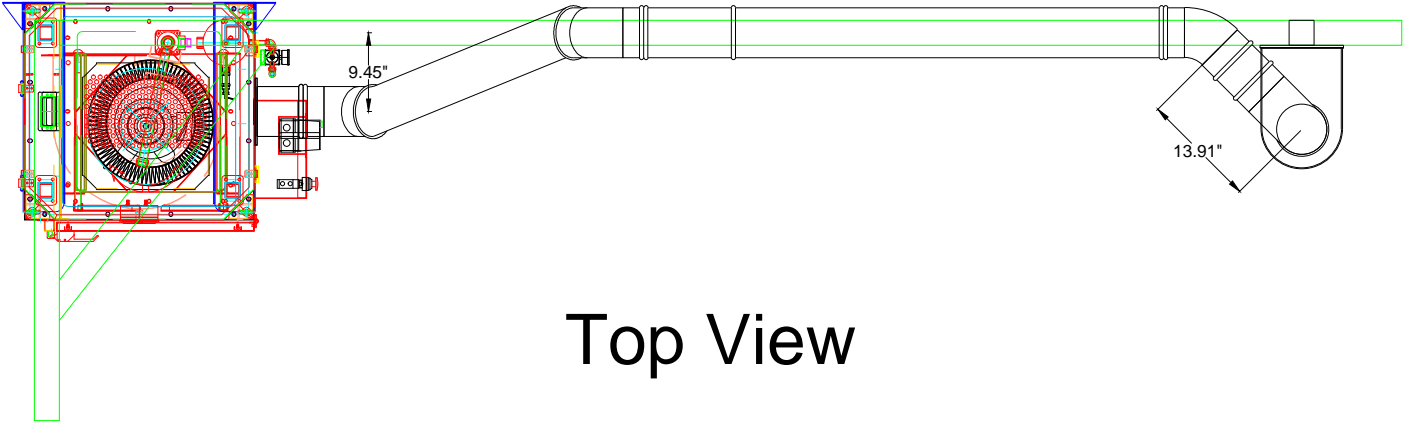



Norfolk Southern Duct Layout



Notes:

- 1. Kirk and Blum Duct
- 2. ECO-1000 unit to one 6" fume arm

| | | |
|--|---------------|---|
| Avani Environmental Intl. Inc. 95 Cypress Drive Youngsville, NC 27596 P# 919-570-2862 F# 919-570-2863 | |  |
| Project: Norfolk Southern ECO-1000 | | |
| Drawing: Duct Layout | | |
| Date: 2/18/13 | Drawn by: MDT | |
| Sheet No: 1 OF 1 | | |