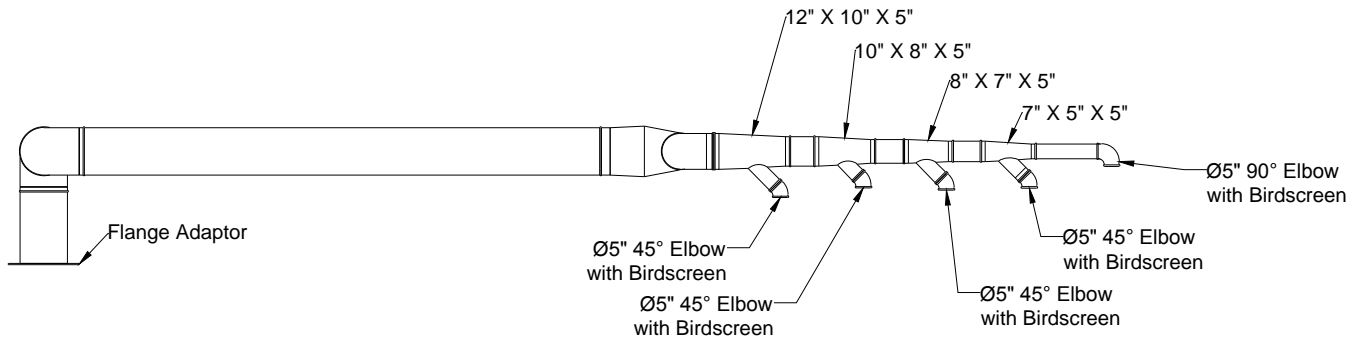
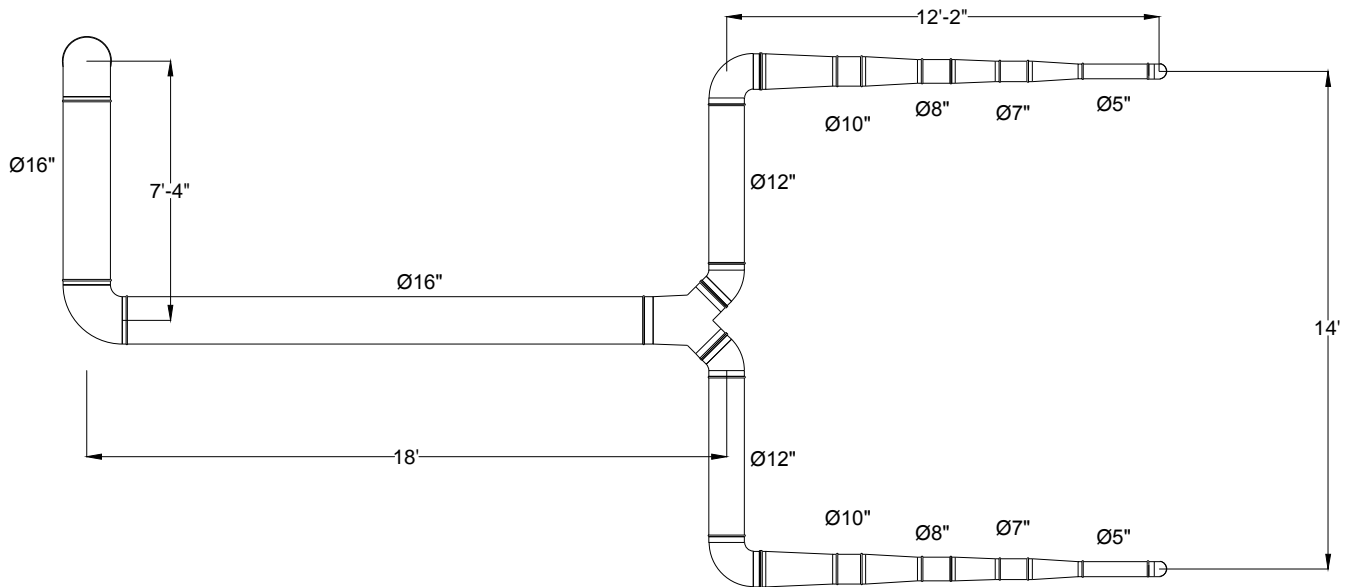


NOV Grant Predico Duct Layout



Avani Environmental Intl.
95 Cypress Drive
Youngsville, NC 27596
P# 919-570-2862 F# 919-570-2863

Avani

Project: NOV Grant Predico

Drawing: Duct Layout

Date: 3/22/13

Drawn by: MDT

Sheet No: 1 Of 1

Rev.: 1