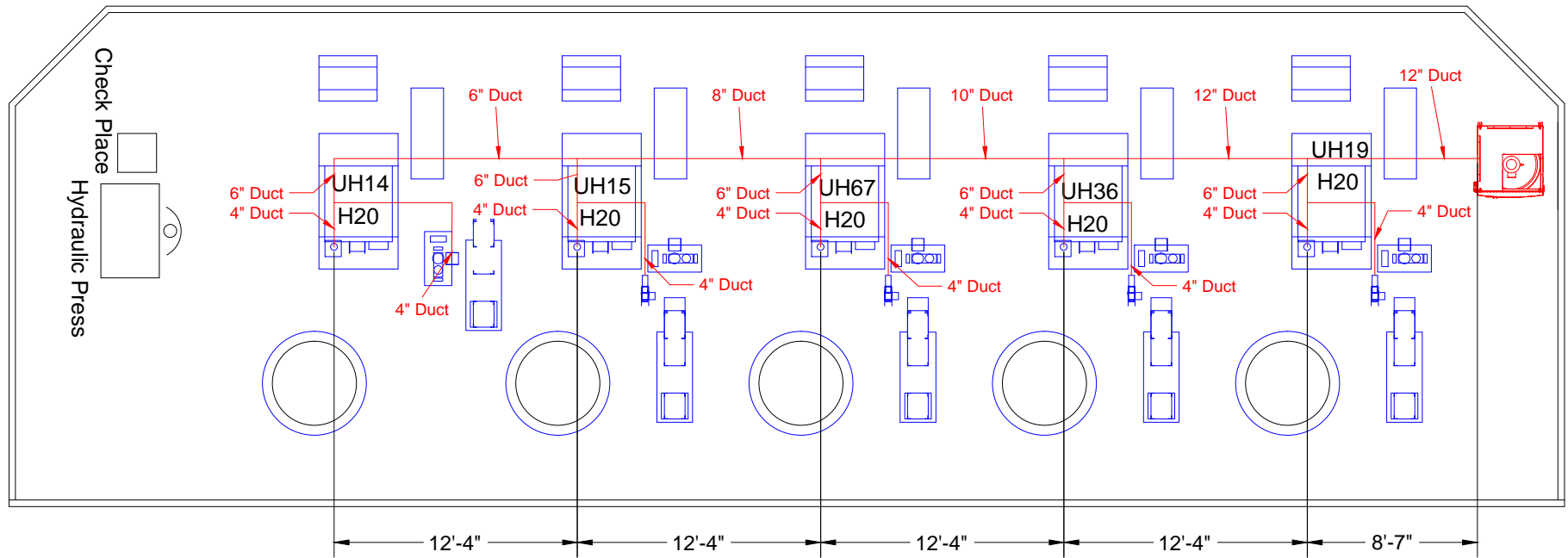


# Truform IAF - (5) H2O Machines Duct Layout



Avani Environmental Int.  
95 Cypress Drive  
Youngsville, NC 27596  
P# 919-570-2862 F# 919-570-2863

**Avani**

Project: Truform IAF - (5) H2O Machines

Drawing: Machine Layout

Date: 1/24/14

Drawn by: MDT

Sheet No: 1 of 1

Rev.: 0