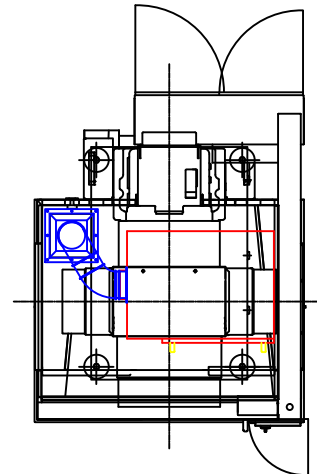


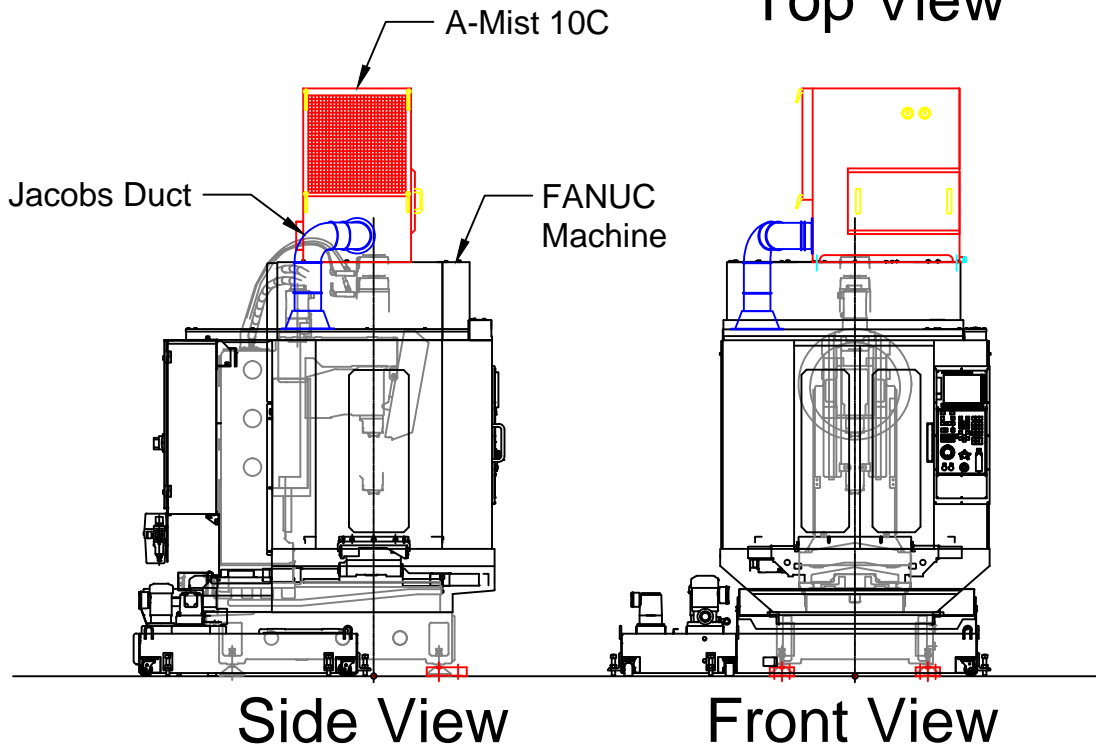
# Mattoon Precision Duct Quote

Notes:

1. Please confirm A-Mist 10C can be mounted onto roof of FANUC
2. Duct Jacobs Tubing



Top View



Avani Environmental Intl.  
95 Cypress Drive  
Youngsville, NC 27596  
P# 919-570-2862 F# 919-570-2863

**Avani**

Project: Mattoon Precision

Drawing: Duct Quote

Date: 3/24/14

Drawn by: MDT

Sheet No: 1 of 1

Rev 0