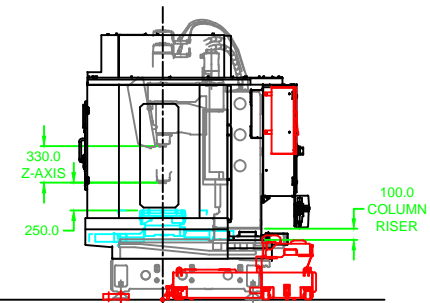
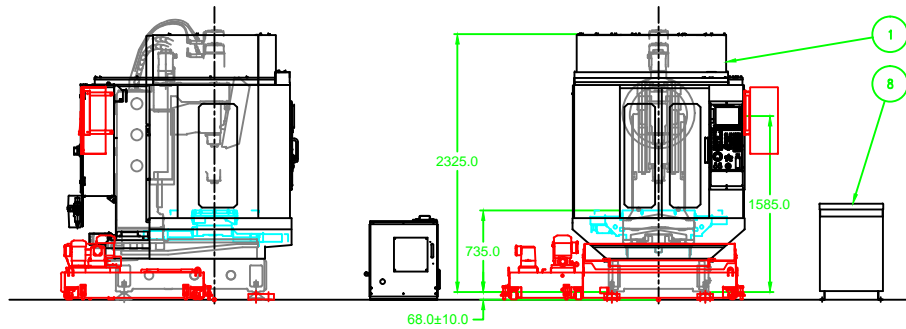
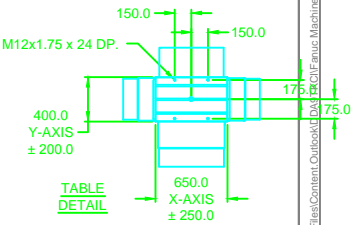
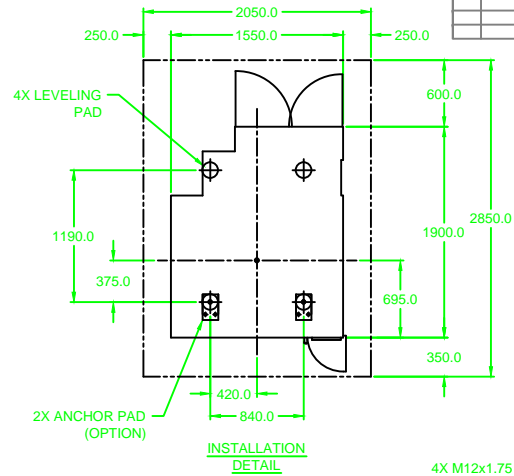
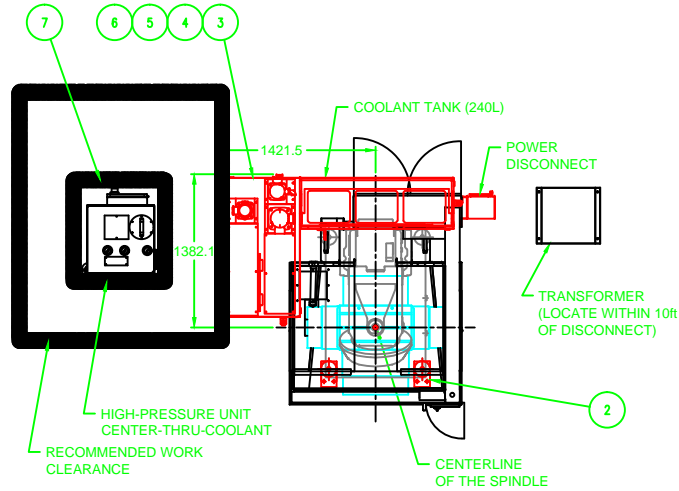


THE CONTROLLED VERSION OF THIS DOCUMENT IS ELECTRONICALLY MAINTAINED. HARD COPIES ARE CONSIDERED UNCONTROLLED. HOLDERS ARE RESPONSIBLE FOR VERIFYING THE REVISION LEVEL WITH ASG ENGINEERING PRIOR TO USE.

	DESCRIPTION	DATE	BY
	PRELIMINARY		



QTY	UNIT	DESCRIPTION	PART NO. OR MATERIAL
8	1	POWERTRON 30VA TRANSFORMER	ROB3-30K-T1
7	1	CHIPBLASTER CENTER-THRU-COOLANT	D30-35-PP
6	1	FANUC TOOL WASH PUMP ASSY	XA-1800-XXX
5	1	FANUC WALL WASH PUMP ASSY	XA-1800-XXX
4	1	FANUC FLOOR WASH PUMP ASSY	XA-1800-XXX
3	1	FANUC COOLANT TANK, 240L	XO-1800-800
2	1	FANUC ANCHOR PAD ASSEMBLY	XO-1800-500
1	1	FANUC ROBODRILL	D-21MAS

METRIC
 DIMENSIONS SHOWN BY ALL DIMENSIONS OF MATHEMATICAL SYMBOLS AND UNITS ARE IN MILLIMETERS UNLESS OTHERWISE SPECIFIED.
 ALL DIMENSIONS ARE IN MILLIMETERS UNLESS OTHERWISE SPECIFIED.
 ALL STOCK AND CUT OFF DIMENSIONS ARE IN MILLIMETERS UNLESS OTHERWISE SPECIFIED.
 ALL DIMENSIONS UNLESS OTHERWISE SPECIFIED ARE TO DIMENSIONS UNLESS OTHERWISE SPECIFIED.
 ALL DIMENSIONS UNLESS OTHERWISE SPECIFIED ARE TO DIMENSIONS UNLESS OTHERWISE SPECIFIED.
 ALL DIMENSIONS UNLESS OTHERWISE SPECIFIED ARE TO DIMENSIONS UNLESS OTHERWISE SPECIFIED.
 ALL DIMENSIONS UNLESS OTHERWISE SPECIFIED ARE TO DIMENSIONS UNLESS OTHERWISE SPECIFIED.
 ALL DIMENSIONS UNLESS OTHERWISE SPECIFIED ARE TO DIMENSIONS UNLESS OTHERWISE SPECIFIED.
 ALL DIMENSIONS UNLESS OTHERWISE SPECIFIED ARE TO DIMENSIONS UNLESS OTHERWISE SPECIFIED.
 ALL DIMENSIONS UNLESS OTHERWISE SPECIFIED ARE TO DIMENSIONS UNLESS OTHERWISE SPECIFIED.
 ALL DIMENSIONS UNLESS OTHERWISE SPECIFIED ARE TO DIMENSIONS UNLESS OTHERWISE SPECIFIED.
 ALL DIMENSIONS UNLESS OTHERWISE SPECIFIED ARE TO DIMENSIONS UNLESS OTHERWISE SPECIFIED.
 ALL DIMENSIONS UNLESS OTHERWISE SPECIFIED ARE TO DIMENSIONS UNLESS OTHERWISE SPECIFIED.
 ALL DIMENSIONS UNLESS OTHERWISE SPECIFIED ARE TO DIMENSIONS UNLESS OTHERWISE SPECIFIED.
 ALL DIMENSIONS UNLESS OTHERWISE SPECIFIED ARE TO DIMENSIONS UNLESS OTHERWISE SPECIFIED.
 ALL DIMENSIONS UNLESS OTHERWISE SPECIFIED ARE TO DIMENSIONS UNLESS OTHERWISE SPECIFIED.



FANUC America Corporation
 ROBOCELL Group
 9800 West Hamlin Road
 Rochester Hills, Michigan 48309
 www.fanucamerica.com

THIS MATERIAL IS THE PROPERTY OF FANUC AMERICA AND MUST BE RETURNED TO FANUC AMERICA PRIOR TO USE. REQUEST TO REPRODUCE AND THE PRODUCTION OF UNCONTROLLED COPIES ARE NOT PERMITTED. COPIES OF THIS DOCUMENT IN ANY LANGUAGE OR IN ANY FORM MAY NOT BE REPRODUCED, COPIED, USED OR TRANSMITTED IN ANY FORM OR BY ANY MEANS WITHOUT THE WRITTEN CONSENT OF FANUC AMERICA CO.

TITLE			
MATTSON PRECISION MFG.			
D-21MAS ROBODRILLS			
MACHINE LAYOUT			
PROJECT NO.	RDGSTD	DESIGNED BY	R.G.
DATE	1/20	SHEET NO.	D
		APPROVED BY	J.B.
		DATE	2/12/14
SHEET NO.	TOTAL SHEETS	DESIGN NO.	
1	1		
			XO-6935-100

FANUC AUTOCAD FILENAME: C:\Users\Mat\AppData\Local\Microsoft\Windows\Temporary Internet Files\Content.Outlook\DK4ECoIf\Fanuc Machine Layout.dwg