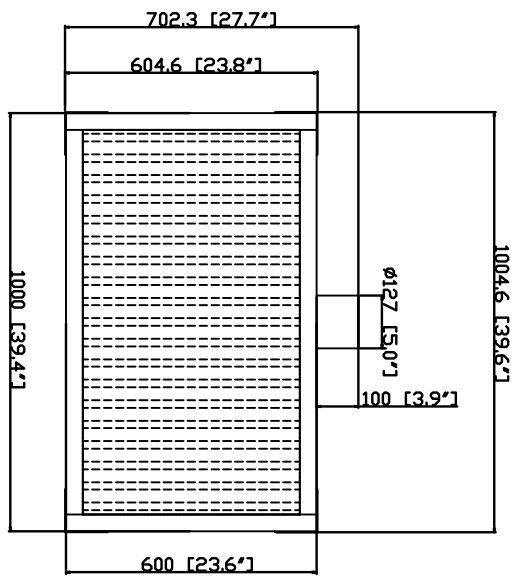


DO NOT SCALE

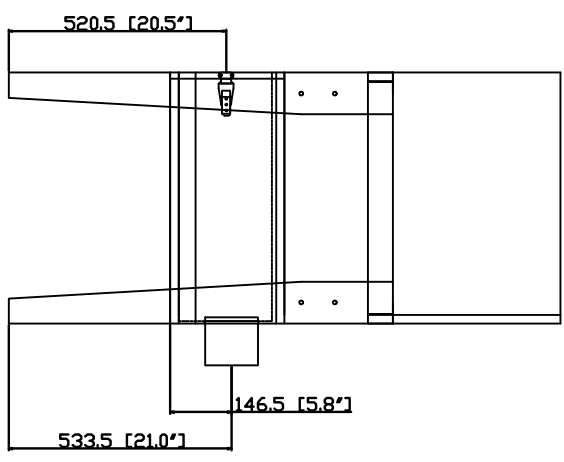
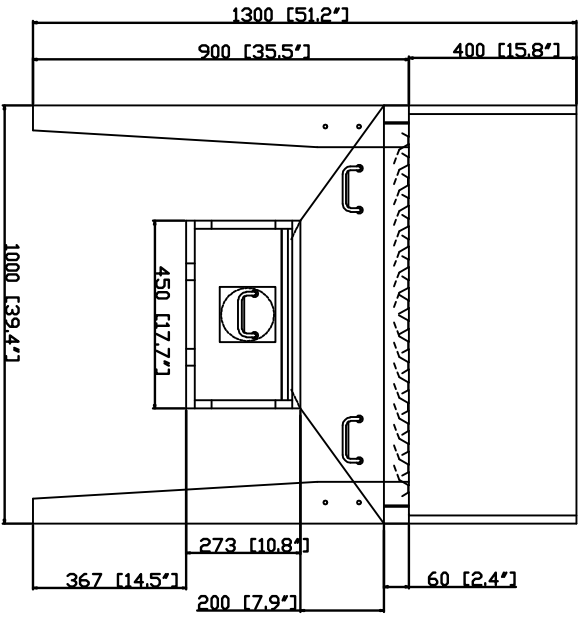
IF IN DOUBT ASK



Revisions		
Rev	Description	Date



Maximum Table Load: 661 pounds (lb)



<b>Avani Environmental Intd., Inc.</b> 95 Cypress Drive Youngsville, NC 27596 Sales Department (919) 570-2862 info@avanienvironmental.com		<b>Part Number:</b> SDT-180		<b>Title:</b> Downdraft Table	
<b>Drawn by:</b> XX-XX-XX	<b>Date</b>	<b>Name</b> XXXXX	<b>Size</b> A		
<b>Checked by:</b>			<b>Scale</b> 1 = 20	<b>Drawing Number:</b> FE-180-01	
This drawing is confidential and is the exclusive property of Oskar Air Products. No unauthorized use/copy or disclosure is to be made and it is returned whenever required.					