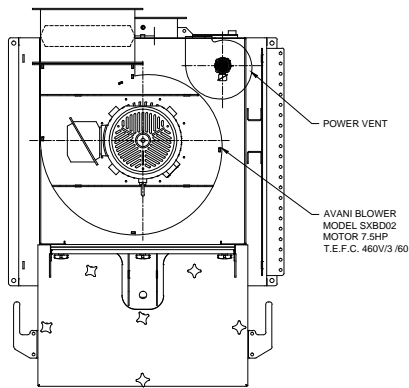
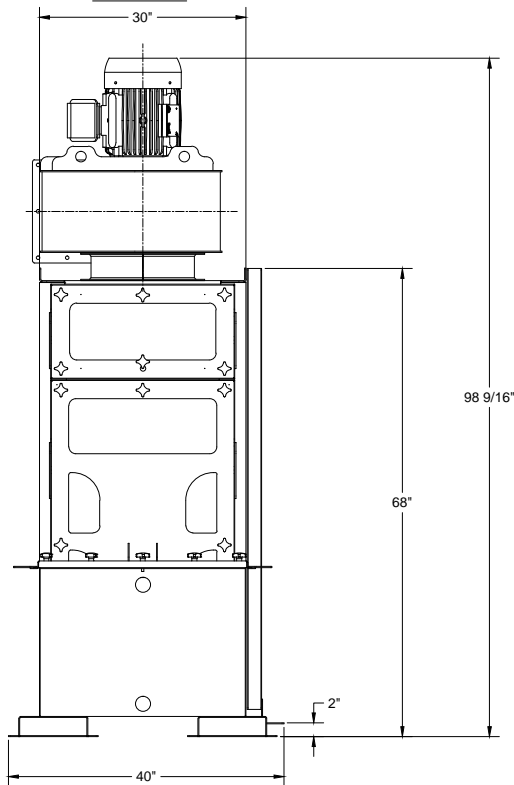


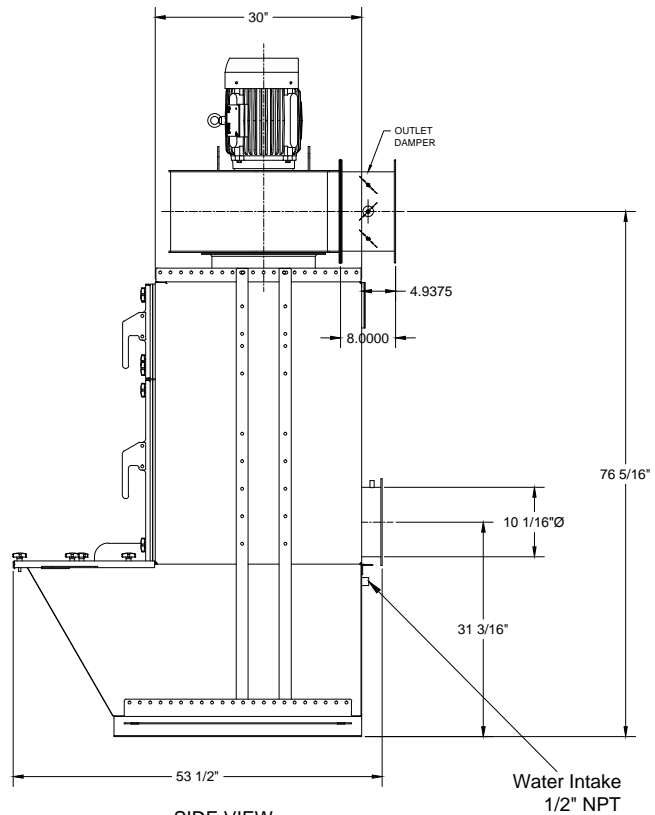
# ACR Incorporated SWC-2000



TOP VIEW



FRONT VIEW



SIDE VIEW

Avani Environmental Intl.  
95 Cypress Drive  
Youngsville, NC 27596  
P# 919-570-2862 F# 919-570-2863

# Avani

Project: ACR Incorporated

Drawing: SWC-2000

Date: 12/17/13

Drawn by: MDT

Sheet No: 1 of 1

Rev.: 0