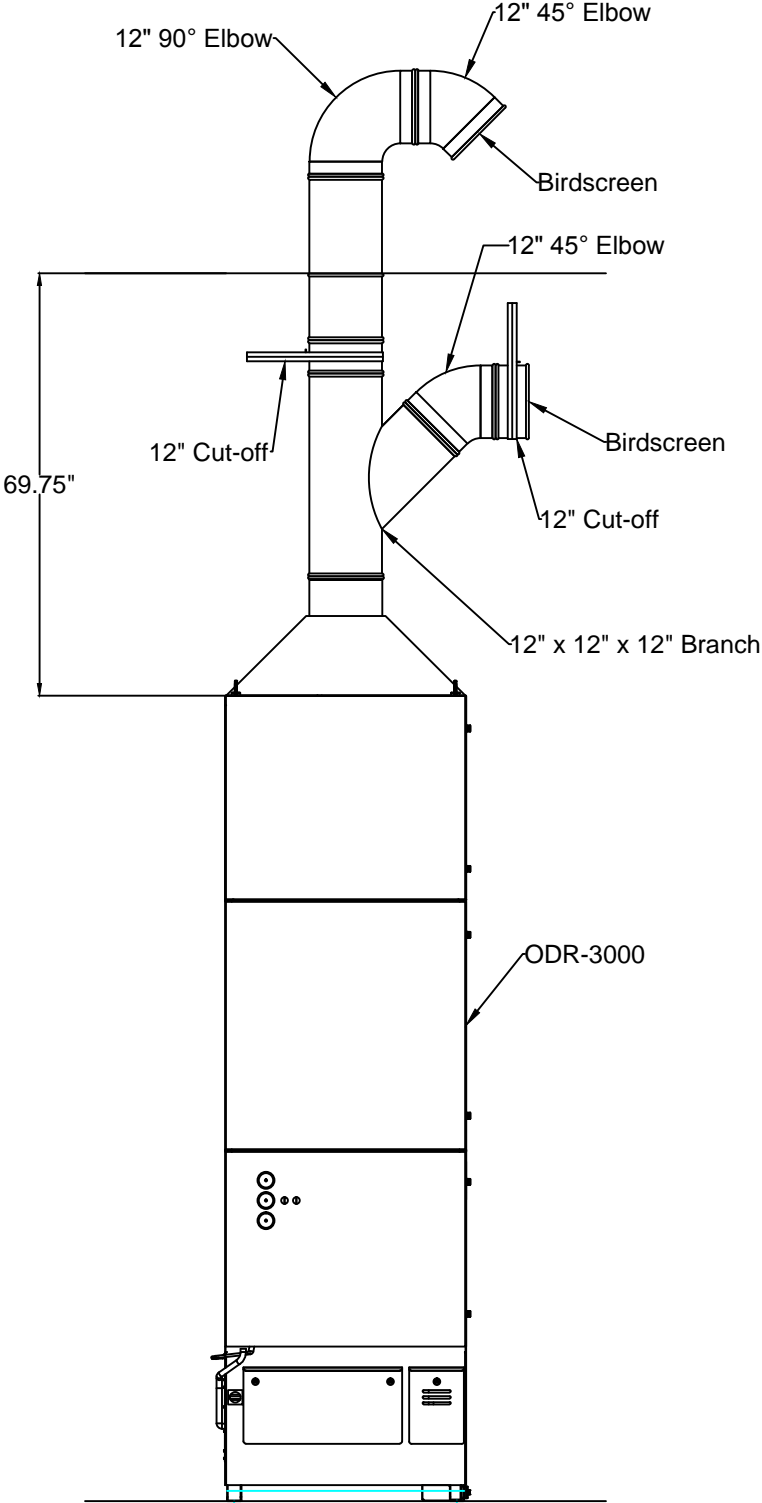


Hydromat Discharge Elevation View



Avani Environmental Intl. Inc.
95 Cypress Drive
Youngsville, NC 27596
P# 919-570-2862 F# 919-570-2863

Avani

Project: Hydromat Discharge	
Drawing: Duct Layout	
Date: 5-21-13	Drawn by: MDT
Sheet No: 1 OF 1	Rev 0