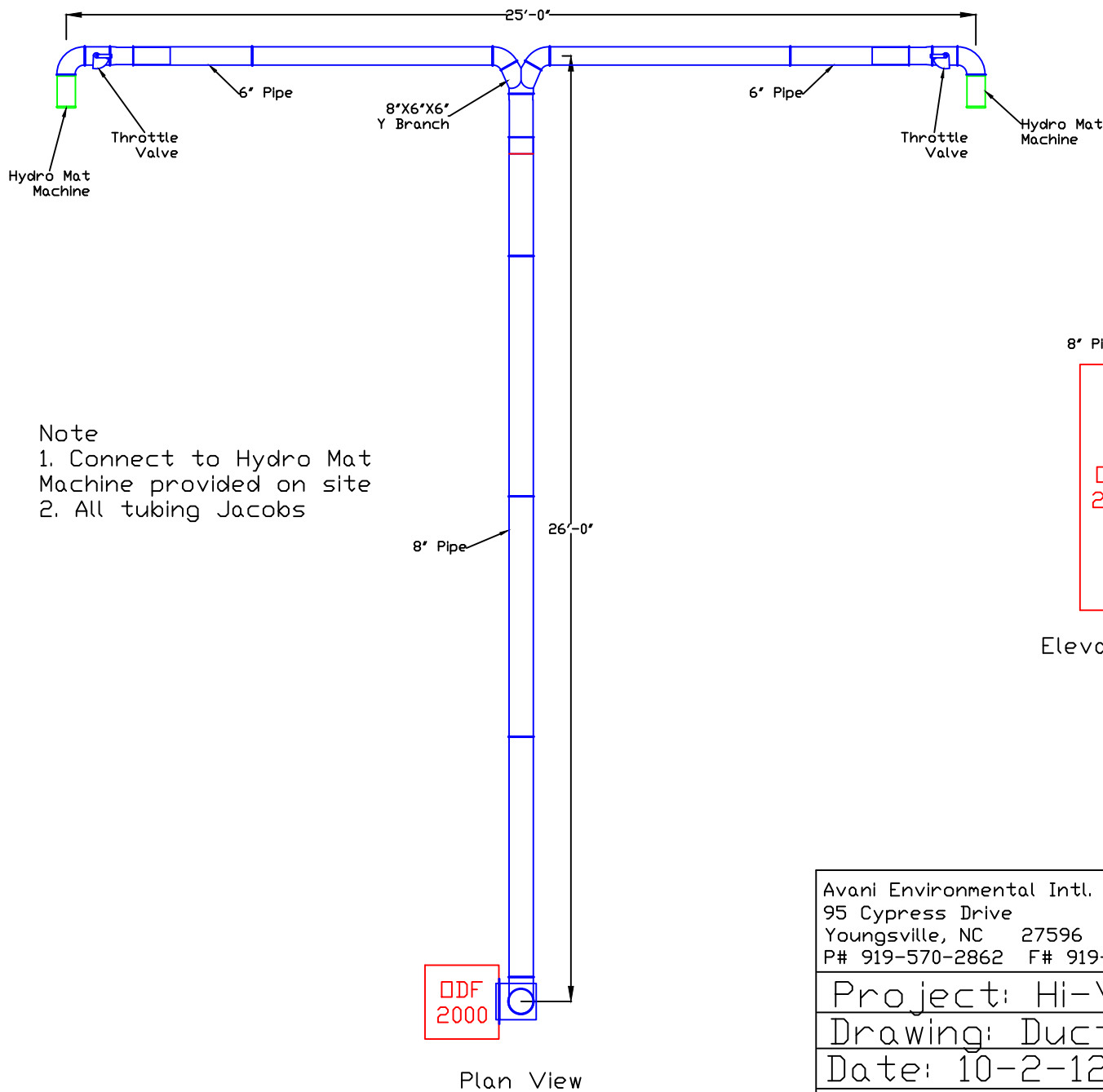
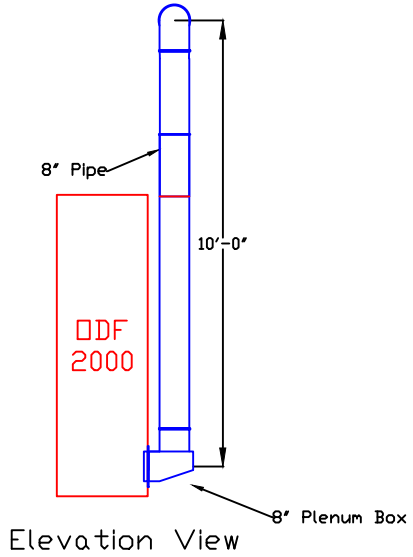


Hi-Vol in Livonia MI



Note
 1. Connect to Hydro Mat Machine provided on site
 2. All tubing Jacobs



| | |
|--|-------------------------------------|
| Avani Environmental Intl. Inc. 95 Cypress Drive Youngsville, NC 27596 P# 919-570-2862 F# 919-570-2863 | <h1 style="color: blue;">Avani</h1> |
| Project: Hi-Vol in Livonia, MI | |
| Drawing: Duct Layout | |
| Date: 10-2-12 Drawn by: MDT | |
| Sheet No: 1 OF 1 | |