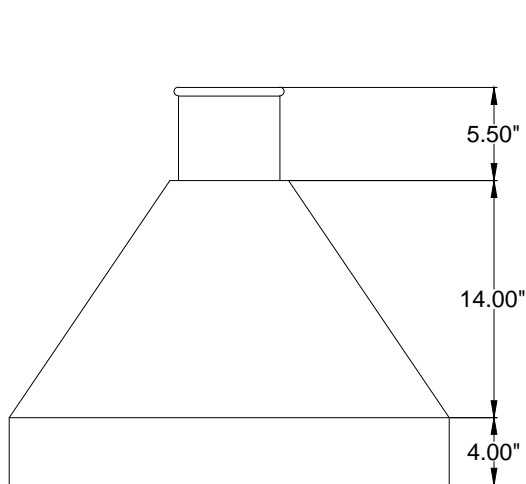
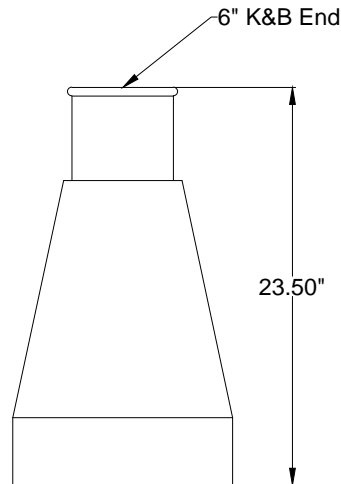


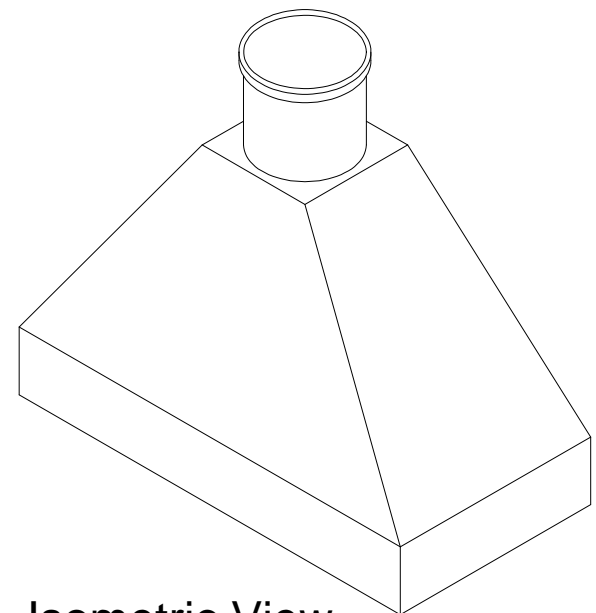
Hi-Cone Hood Drawing



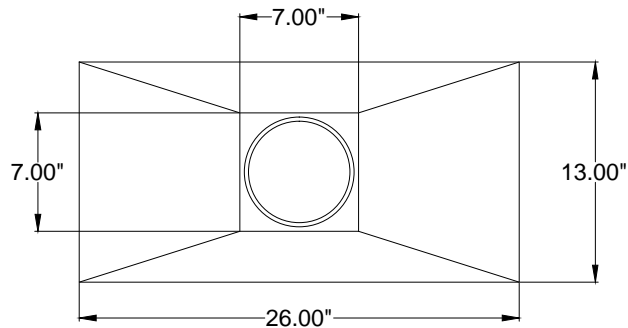
Front View



Side View



Isometric View



Top View

Notes:

1. Hood to attach to machine via Angle Flange Adaptor
2. Built via Triangle MetalWorks

Avani Environmental Intl. 95 Cypress Drive Youngsville, NC 27596 P# 919-570-2862 F# 919-570-2863		<h1>Avani</h1>
Project: HI-CONE		
Drawing: Hood Drawing		
Date: 4/4/13	Drawn by: MDT	
Sheet No: 1 of 1	Rev.: 0	