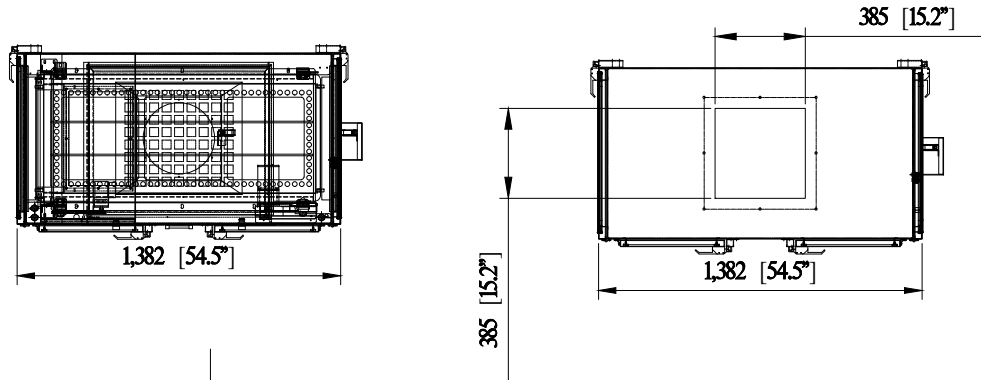


DO NOT SCALE

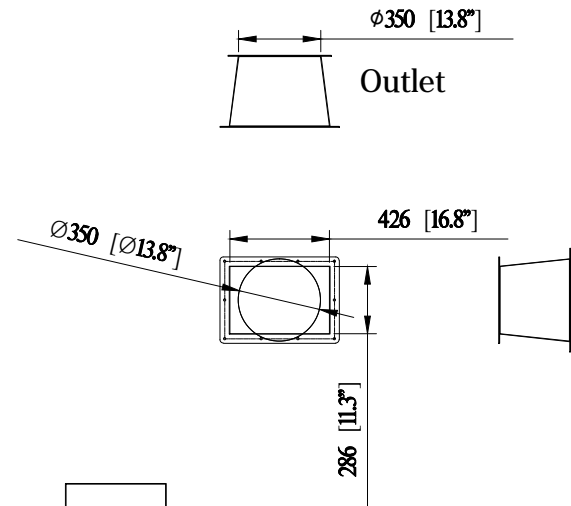
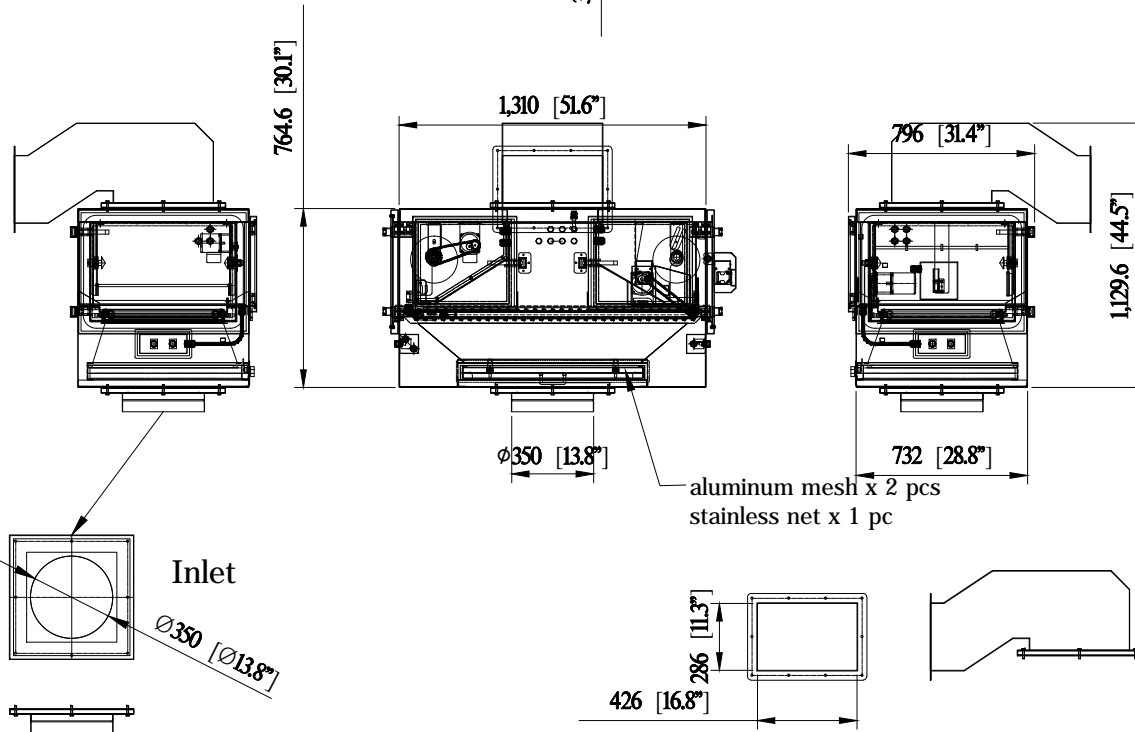
IF IN DOUBT ASK



| Revisions | | | |
|-----------|-------------|------|----------|
| Rev | Description | Date | Approved |
| | | | |



Inlet: dia. 14"
 Outlet: dia. 14"



AVANI ENVIRONMENTAL INTL. INC. Sales Department
 95 Cypress Drive (919) 570-2862
 Youngsville, NC 27596 info@avanienvironmental.com

| | | |
|------------|------|--------------|
| Date | Name | Part Number: |
| 2013-01-16 | *** | *** |
| 2013-01-15 | | |

The drawings, AutoCAD, 3-D Models, and specifications are the property of Avani Environmental Intl. Inc. (AE) and may not be reproduced, distributed, modified, or otherwise used, except provided herein, without the express written permission of AE.

Title: **Roll Media RM-4000-B**

| | | |
|---------------|--------------|------------------------------|
| Size B | Scale 1 = 16 | Drawing Number: wall-mounted |
|---------------|--------------|------------------------------|