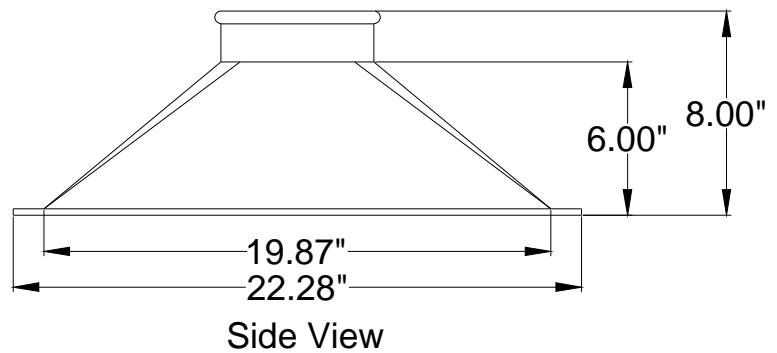
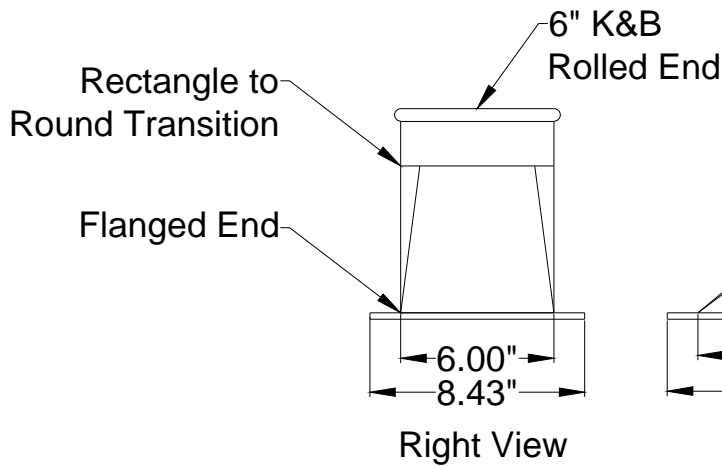
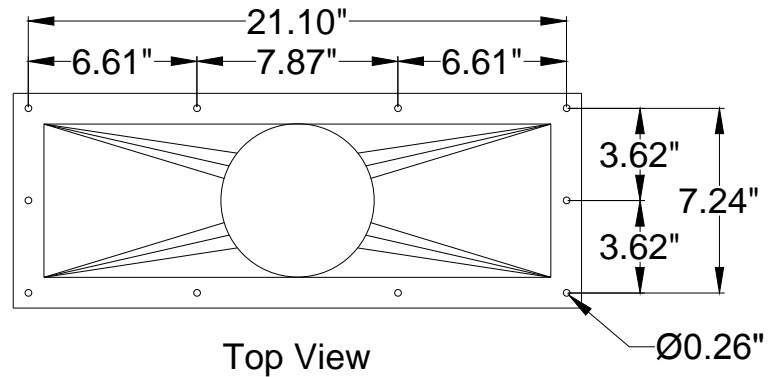


WB-5000

6" Rect to Round

Notes:

1. Connect to 6" K&B
2. Galvanized Steel



Avani Environmental Intl.
 95 Cypress Drive
 Youngsville, NC 27596
 P# 919-570-2862 F# 919-570-2863

Avani

Project: WB-5000 Rectangle to Round 6"

Drawing: Rect to Round Transition

Date: 10/31/12

Drawn by: MDT

Sheet No: 1 of 1

Rev.: 0