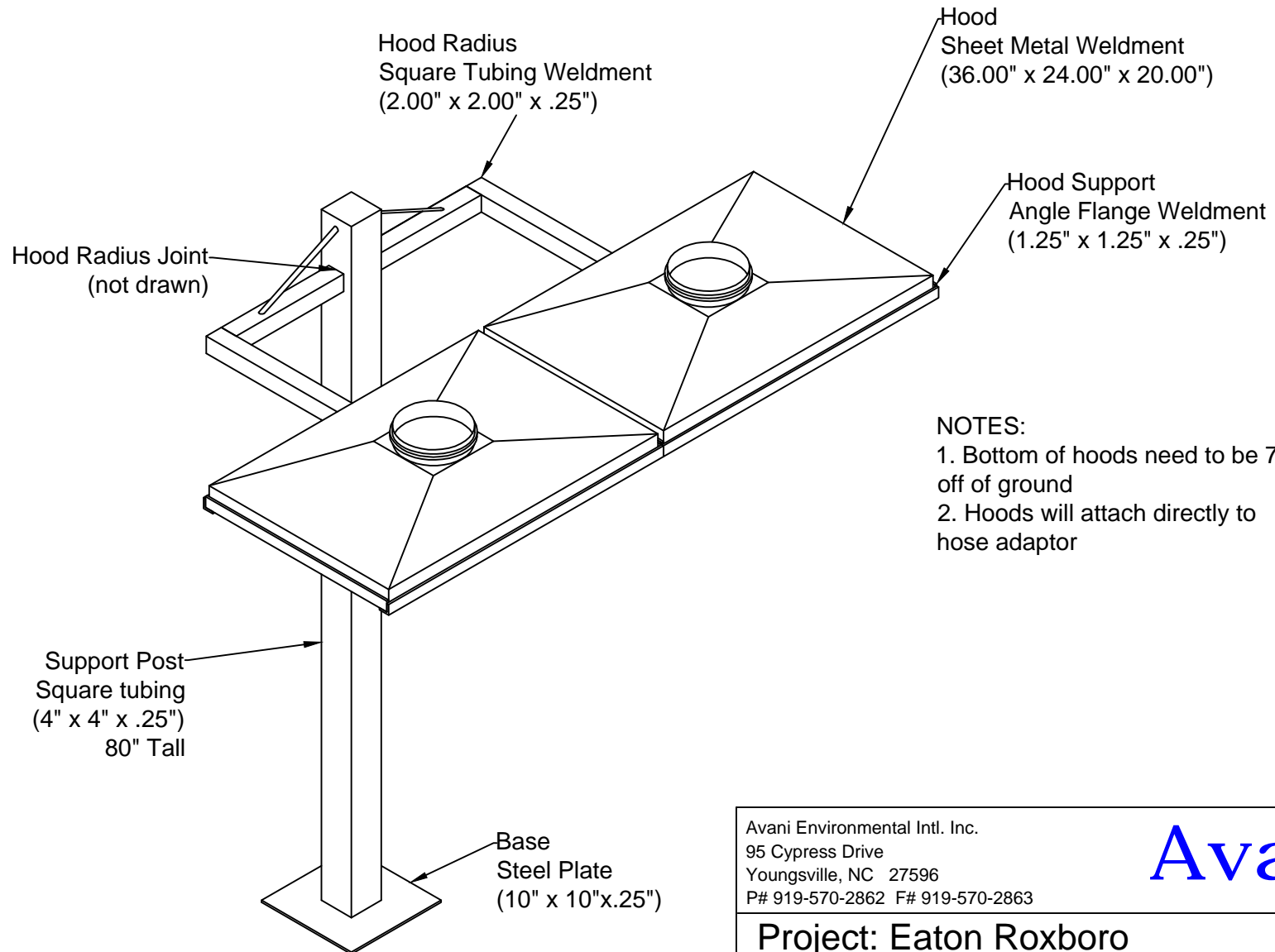


# Hood Design



## NOTES:

1. Bottom of hoods need to be 72" off of ground
2. Hoods will attach directly to hose adaptor

Avani Environmental Intl. Inc.  
95 Cypress Drive  
Youngsville, NC 27596  
P# 919-570-2862 F# 919-570-2863

**Avani**

Project: Eaton Roxboro

Drawing: Hood Design

Date: 3/8/13

Drawn by: MDT

Sheet No: 1 OF 1