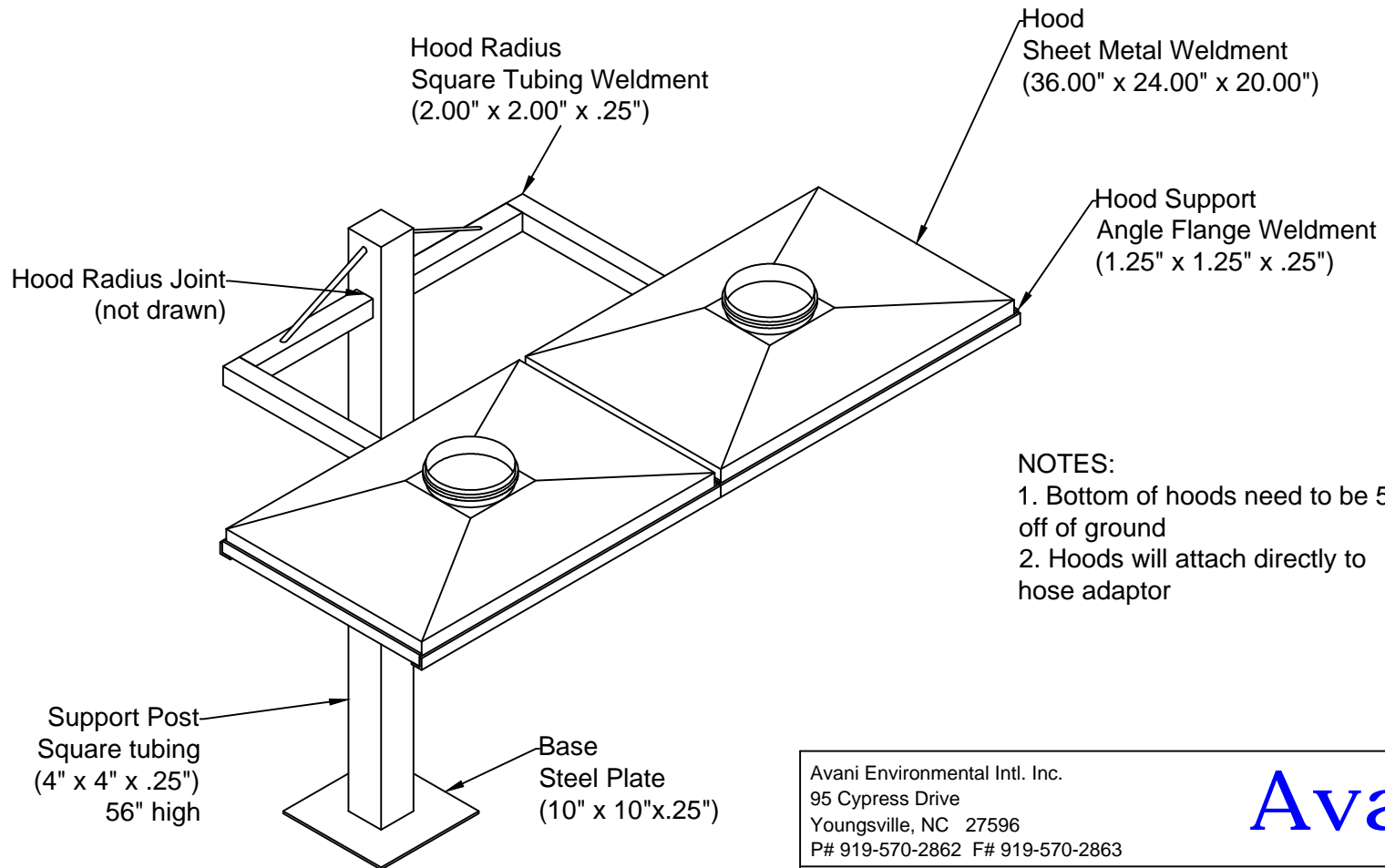


Hood Design



NOTES:

1. Bottom of hoods need to be 54" off of ground
2. Hoods will attach directly to hose adaptor

Avani Environmental Intl. Inc.
 95 Cypress Drive
 Youngsville, NC 27596
 P# 919-570-2862 F# 919-570-2863

Avani

Project: Eaton Roxboro

Drawing: Hood Design

Date: 10-1-12

Drawn by: MDT

Sheet No: 1 OF 1