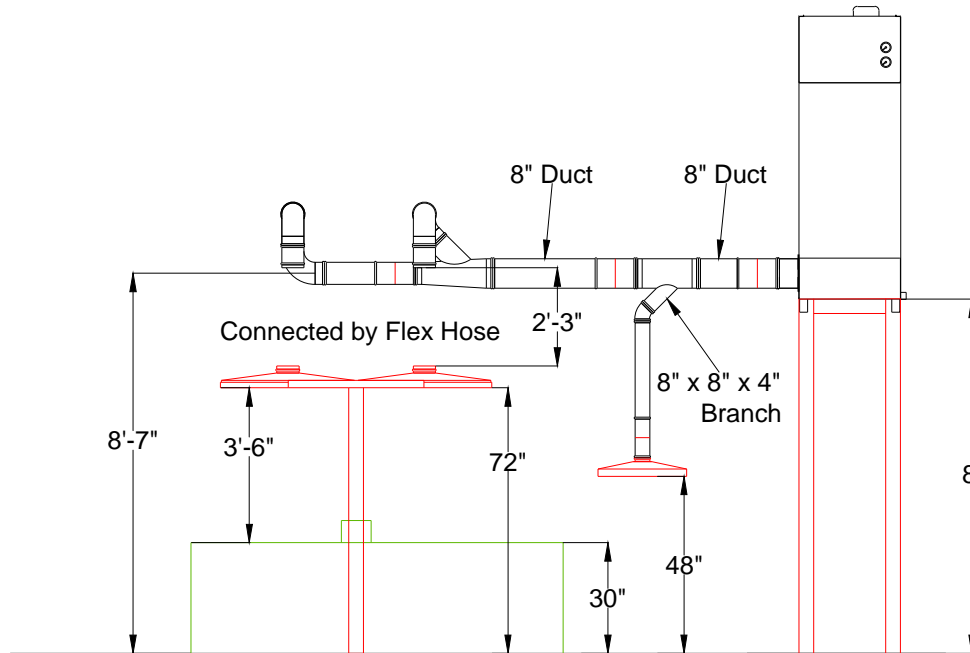
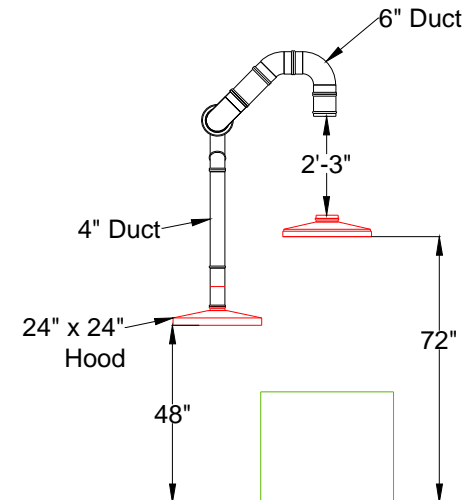


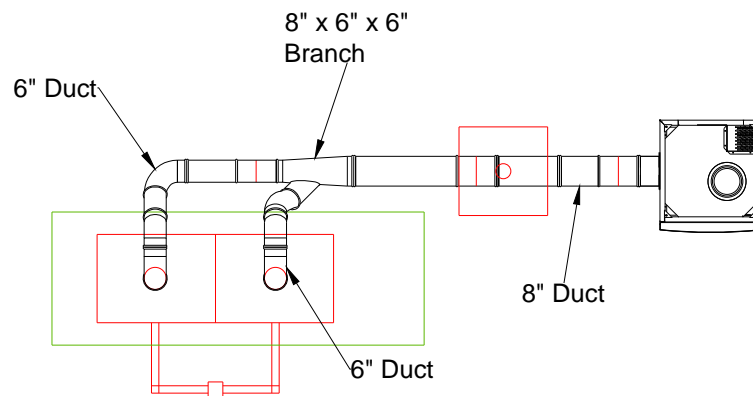
# Eaton Roxboro Conveyor Hood



Front View



Side View



Plan View

Avani Environmental Intl. Inc.  
 95 Cypress Drive  
 Youngsville, NC 27596  
 P# 919-570-2862 F# 919-570-2863

**Avani**

Project: Eaton Roxboro Conveyor Hood

Drawing: Duct Layout

Date: 3-11-13

Drawn by: MDT

Sheet No: 1 OF 1