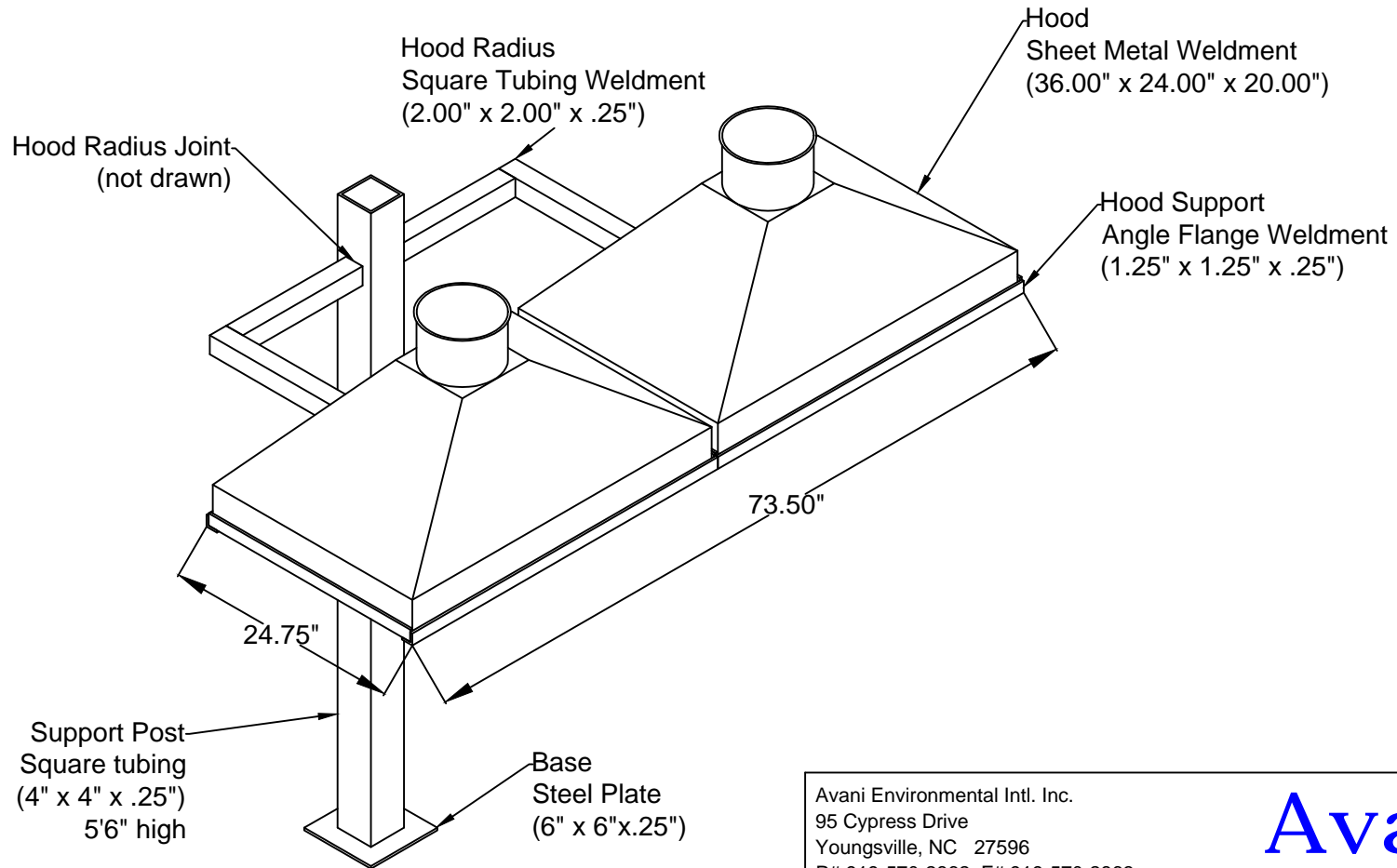


# Hood Design



Avani Environmental Intl. Inc.  
95 Cypress Drive  
Youngsville, NC 27596  
P# 919-570-2862 F# 919-570-2863

**Avani**

**Project: Eaton Roxboro**

**Drawing: Hood Design**

**Date: 9-13-12**

**Drawn by: MDT**

**Sheet No: 1 OF 1**