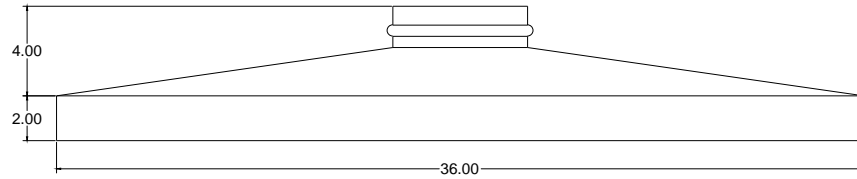
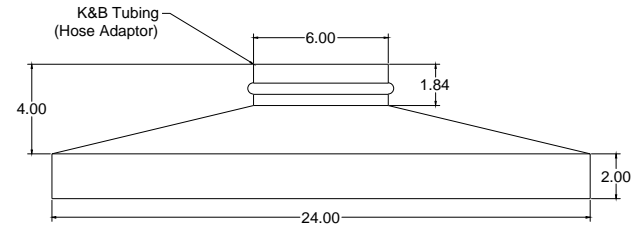


36" x 24" HOOD

Right View



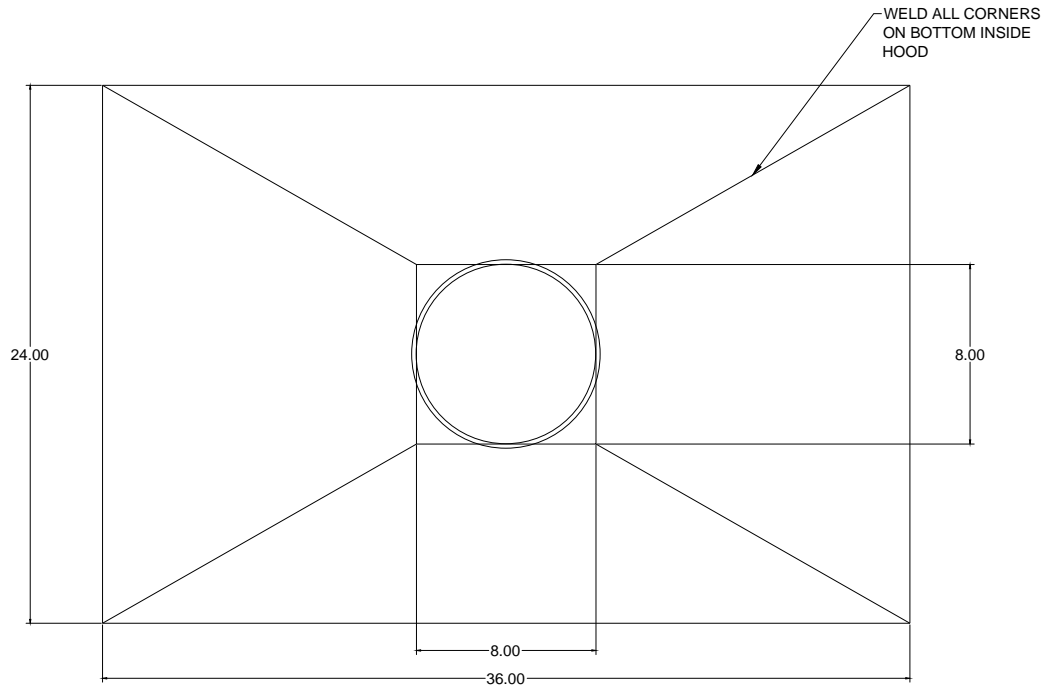
Side View



OPEN END

OPEN END

Top View



Avani Environmental Intl. Inc.
95 Cypress Drive
Youngsville, NC 27596
P# 919-570-2862 F# 919-570-2863

Avani

Project: Eaton Roxboro

Drawing: 36" x 24" Hood

Date: 9-14-12

Drawn by: MDT

Sheet No: 1 OF 1