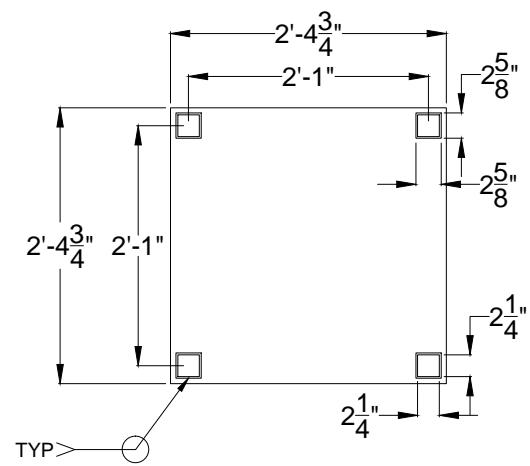
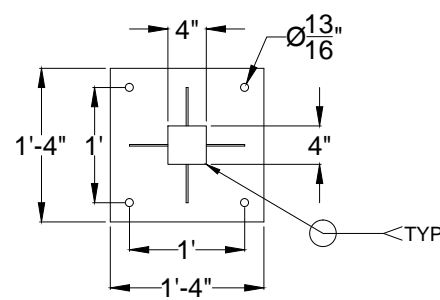


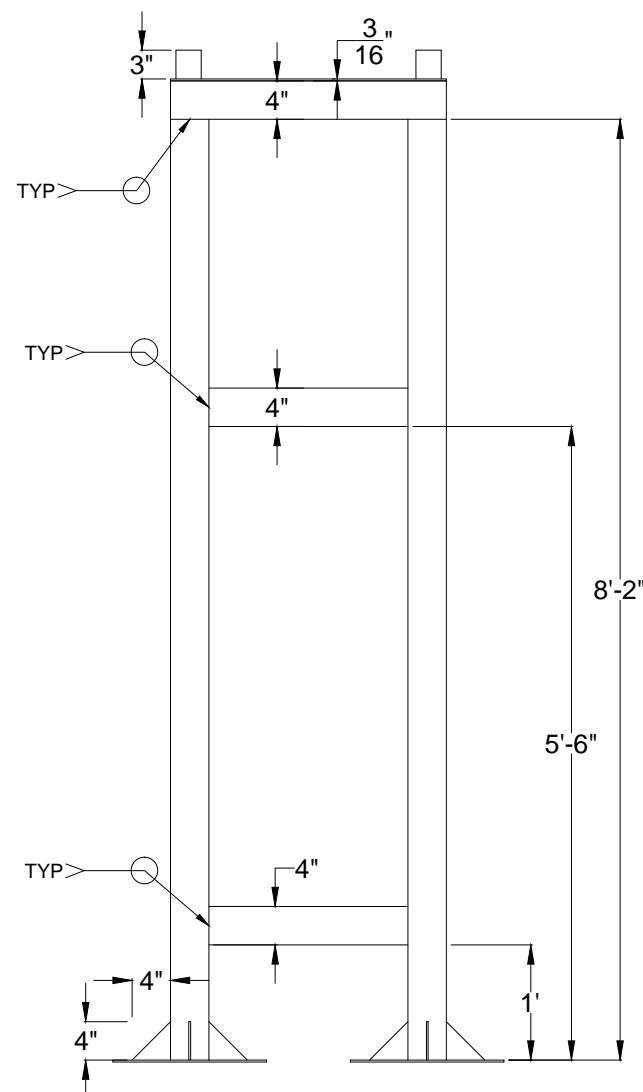
Eaton Roxboro ODR-2000 Elevated Stand



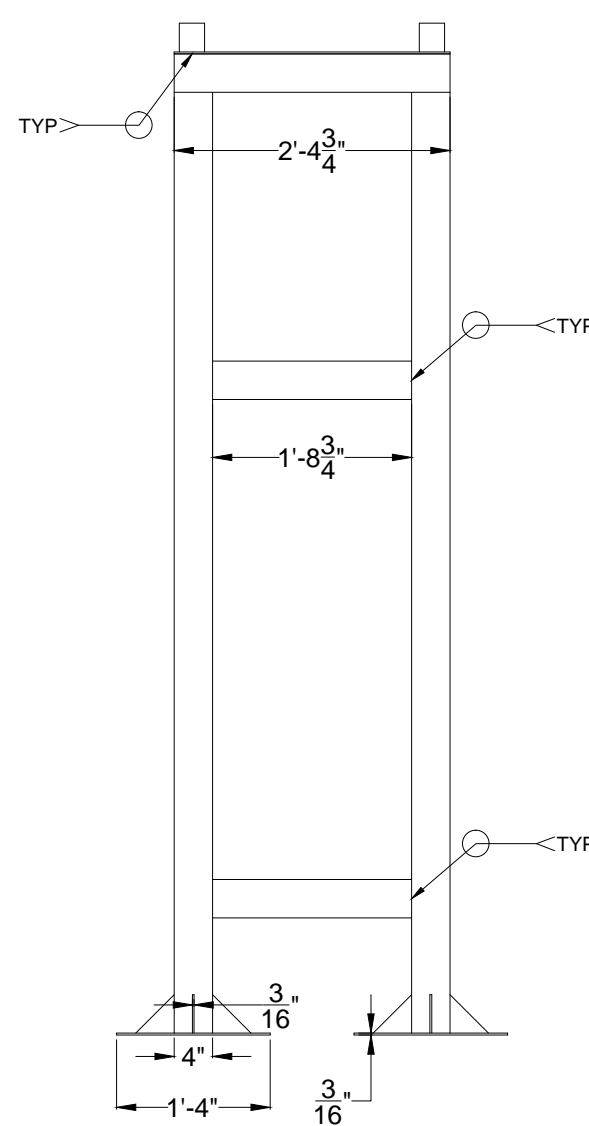
Top View



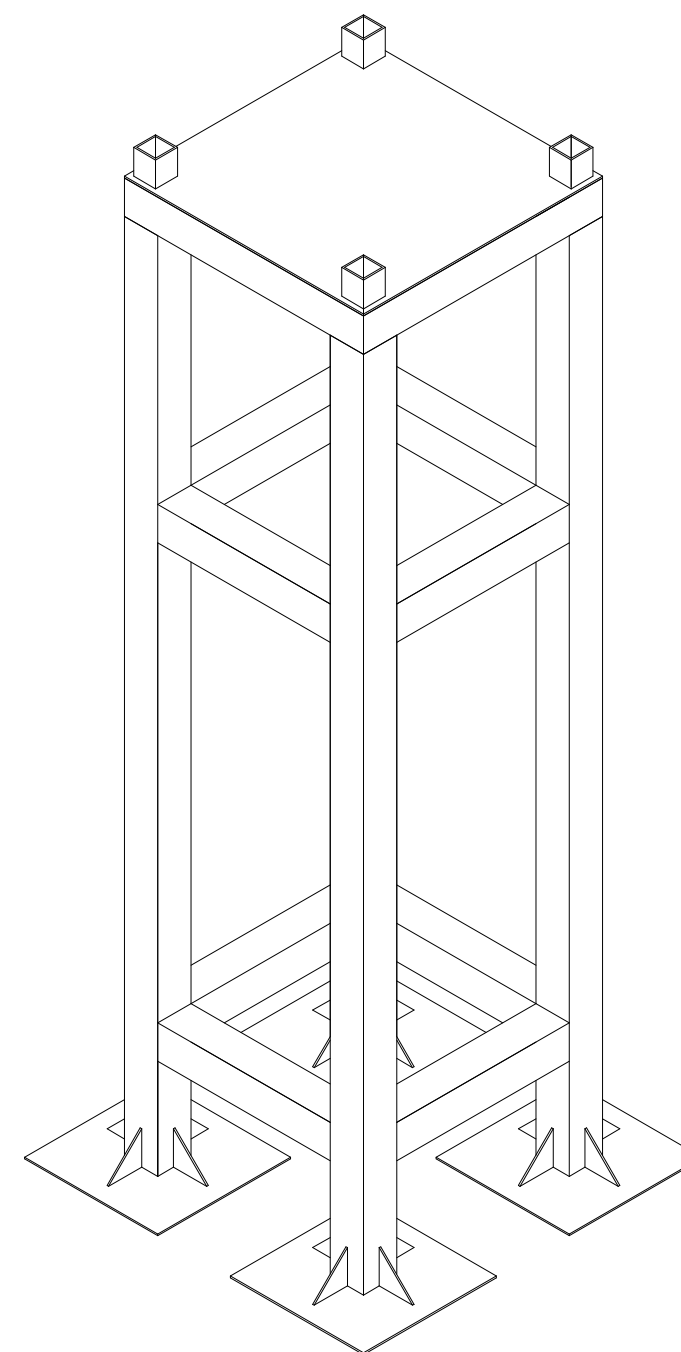
Foot View



Front View



Side View



Isometric View

Material List:

1. All tubing - structural steel 4" x 4" x 3/16" wall
2. All sheet metal - steel sheet metal 3/16" thick

Notes:

1. Use 3/4" anchor bolts to attach to ground
2. Fabricated by Triangle Metal Works
3. ODR-2000 weighs approximately 775 lbs. Legs will rest in stands located on top of stand

Avani Environmental Intl. Inc.
95 Cypress Drive
Youngsville, NC 27596
P# 919-570-2862 F# 919-570-2863

Avani

Project: Eaton Roxboro Conveyor Hood

Drawing: ODR-2000 Elevated Stand

Date: 3-20-13

Drawn by: MDT

Sheet No: 1 OF 1