



Date: August 08, 2012

To: Caterpillar LaGrange, GA

Project:

Attn:

Recommended Equipment:

ROBO-25

ROBO-40

Avani Environmental Intl. Inc.

95 Cypress Drive

Youngsville, NC 27596

www.avanienvironmental.com

Phone: (919) 570-2862

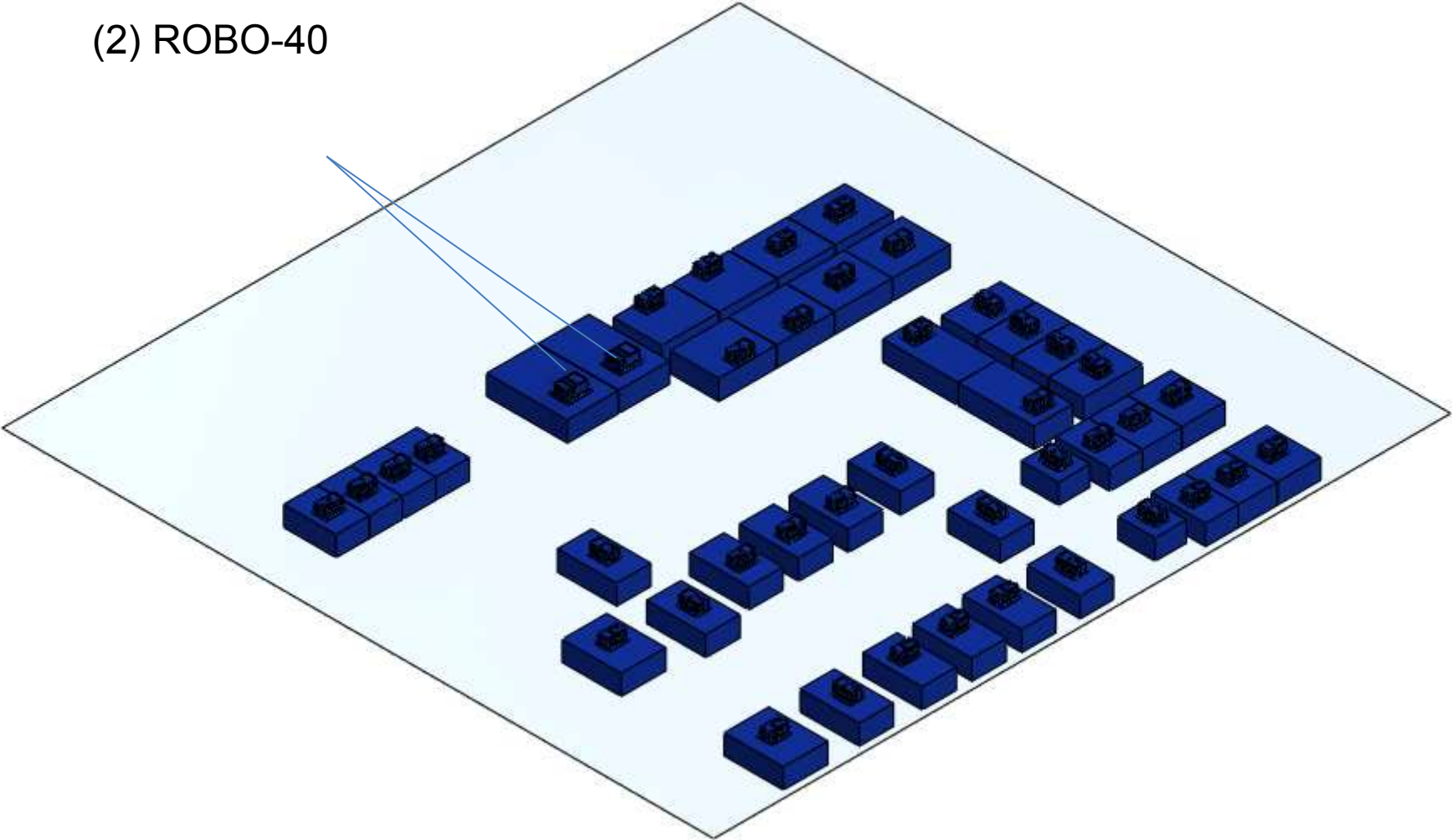
Fax: (919) 570-2863

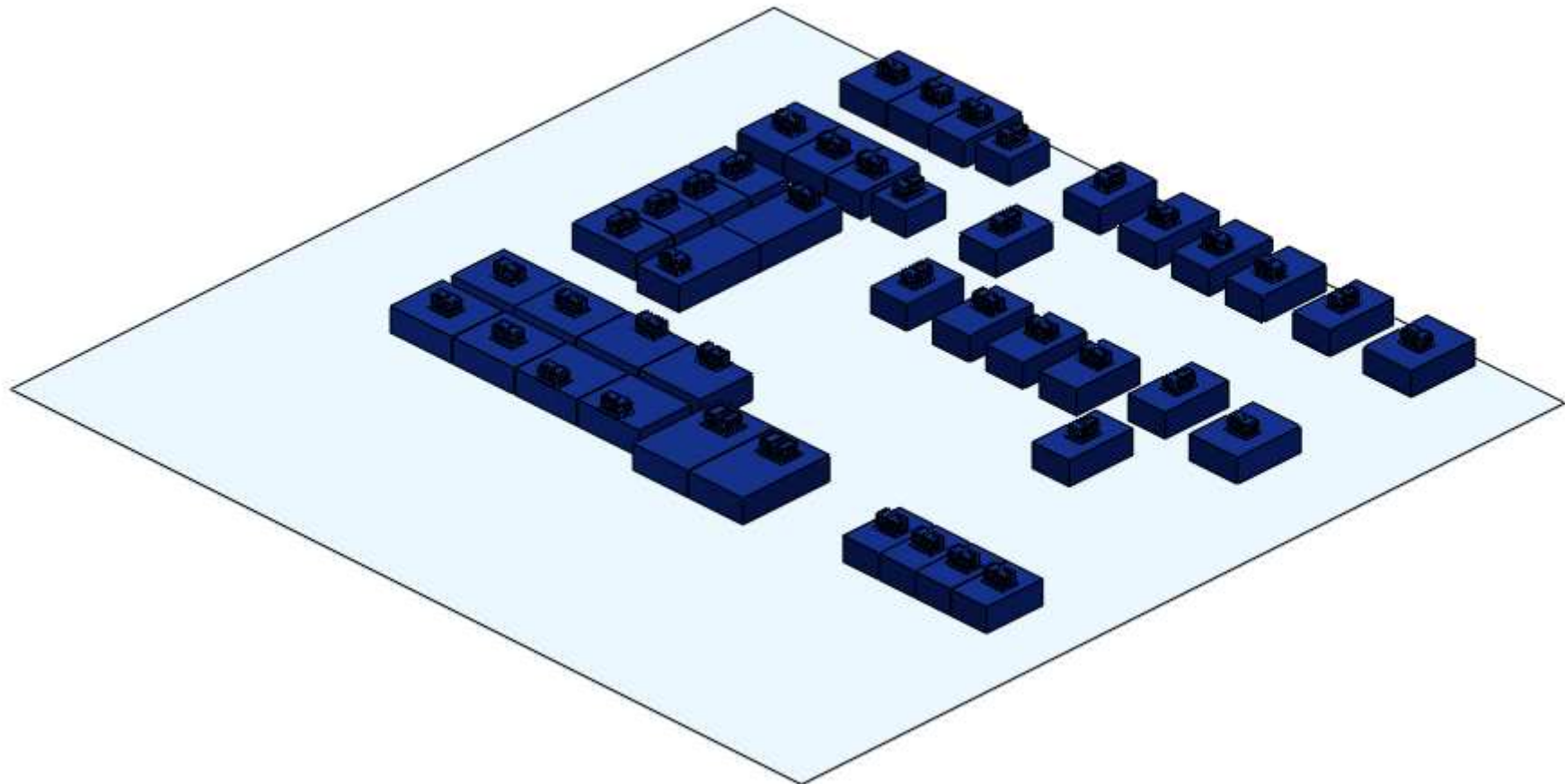
Email: info@avanienvironmental.com

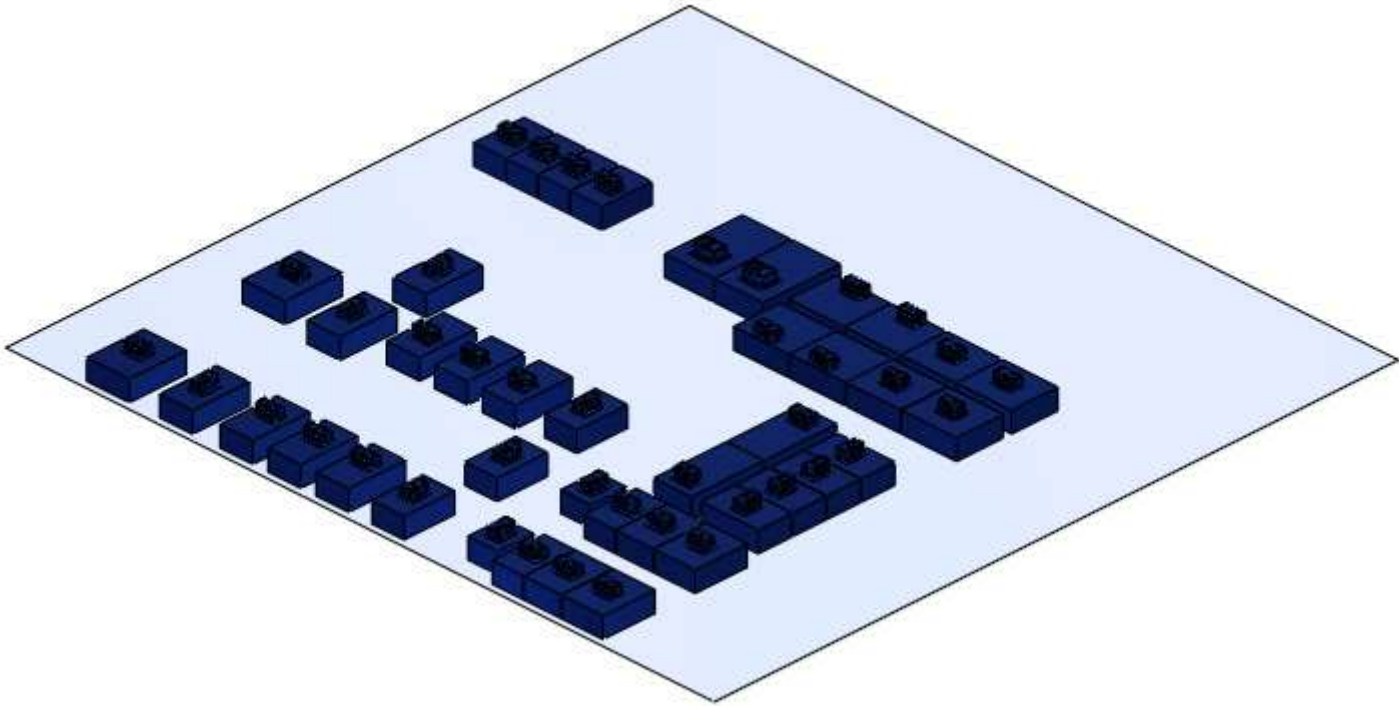
www.weldingbooths.com

The drawings, AutoCAD, 3-D Models, and specifications are the property of Avani Environmental Intl. Inc. (AE) and may not be reproduced, distributed, modified, or otherwise used, except provided herein, without the express written permission of AE.

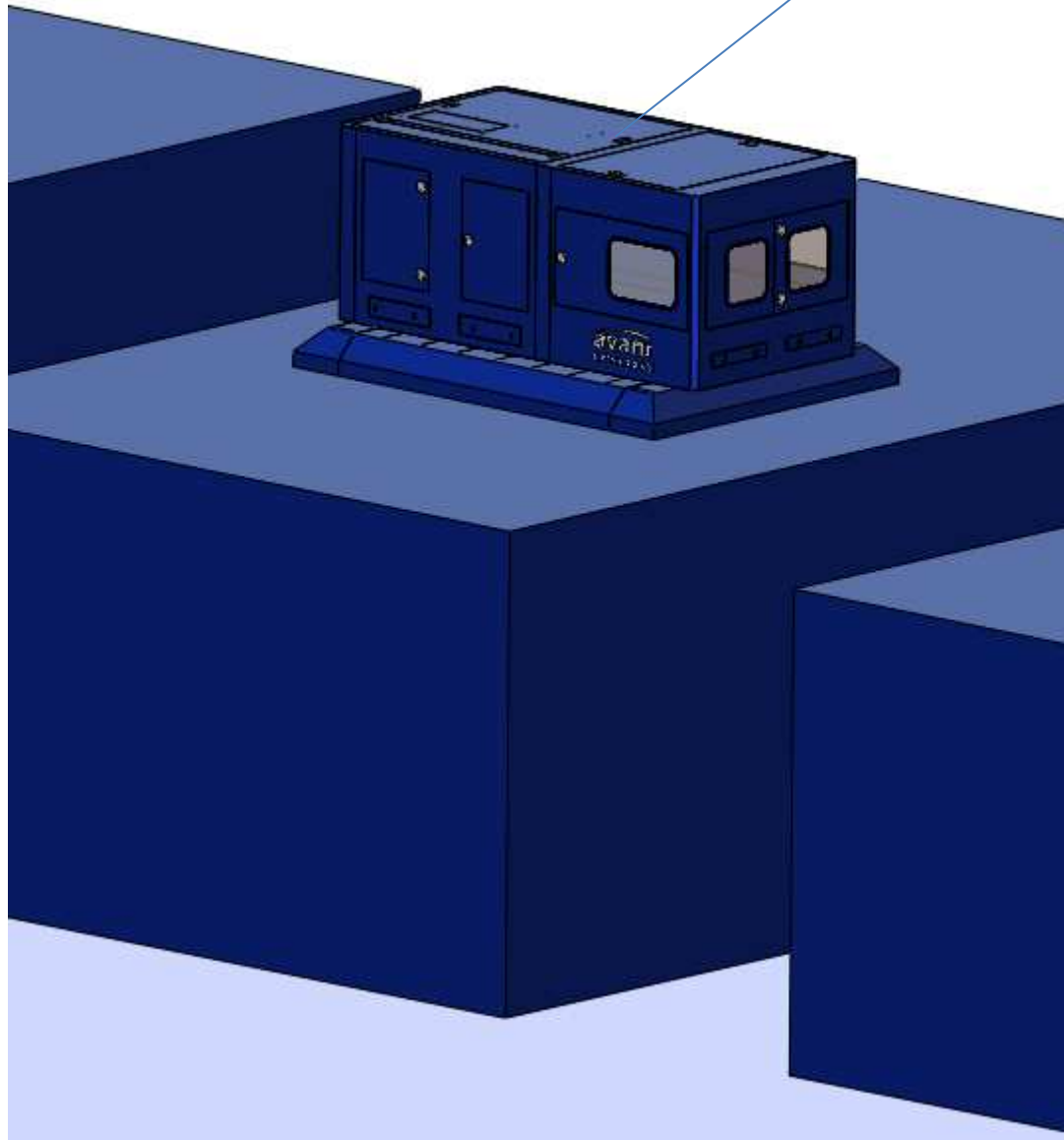
(2) ROBO-40



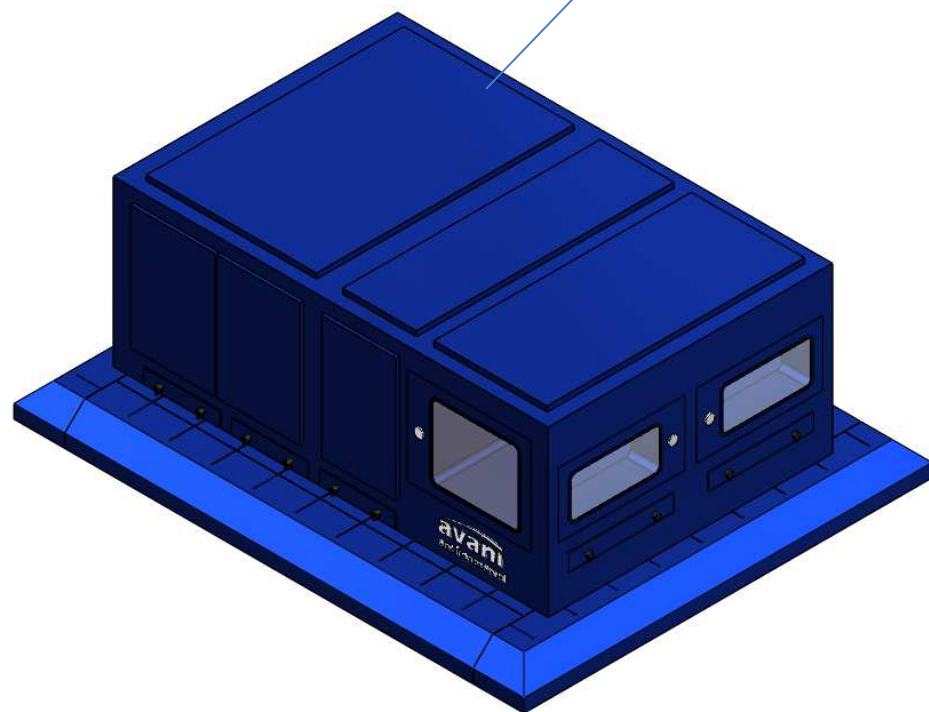




ROBO-25



ROBO-40



ROBO-25

