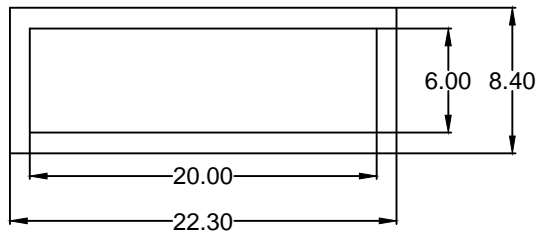
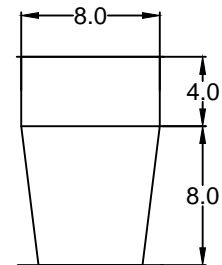
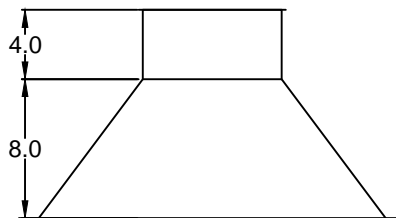
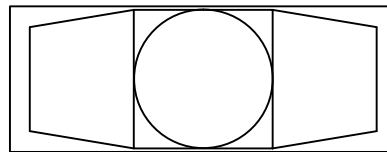
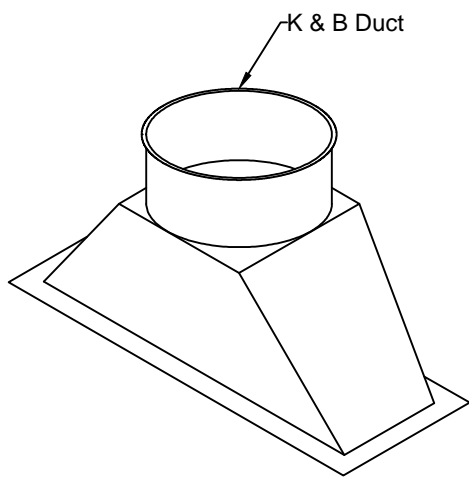


# Capital Area Technical College Rect to Round Transition



Avani Environmental Intl.  
95 Cypress Drive  
Youngsville, NC 27596  
P# 919-570-2862 F# 919-570-2863

**Avani**

**Project: Capical Area Technical College**

**Drawing: Rect to Round Connection**

**Date: 10/24/12**

**Drawn by:MDT**

**Sheet No: 1 Of 1**

**Rev.: 0**