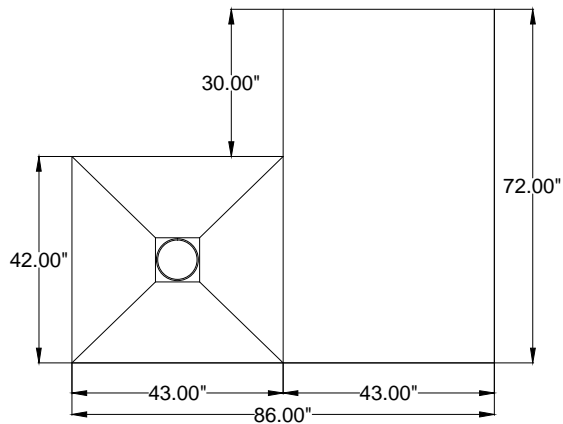
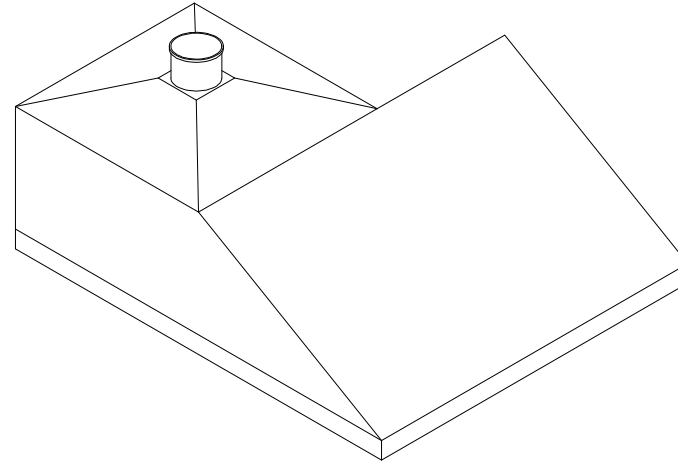


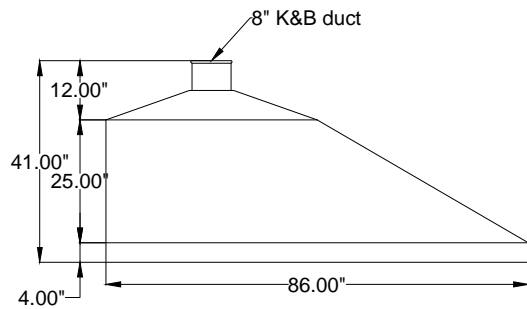
# Bonney Forge Saw Project Saw Hood



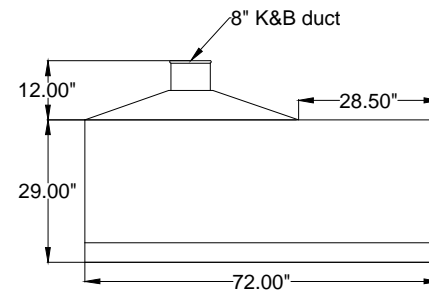
Top View



Isometric View



Side View



Front View

Notes:

1. Airtight hood
2. Use tubing inside hood to provide support to sides
3. Outlet to be 8" K&B duct

Avani Environmental Intl.  
95 Cypress Drive  
Youngsville, NC 27596  
P# 919-570-2862 F# 919-570-2863

**Avani**

Project: Bonney Forge Saw Project

Drawing: Saw Hood

Date: 12/21/12

Drawn by: MDT

Sheet No: 1 Of 1

Rev.: 0