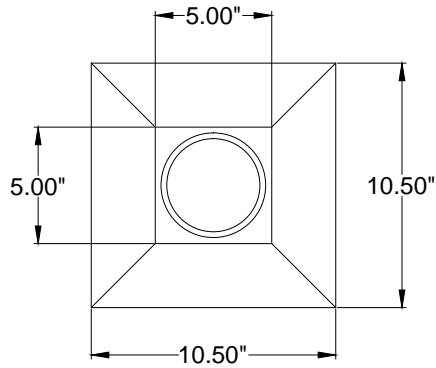
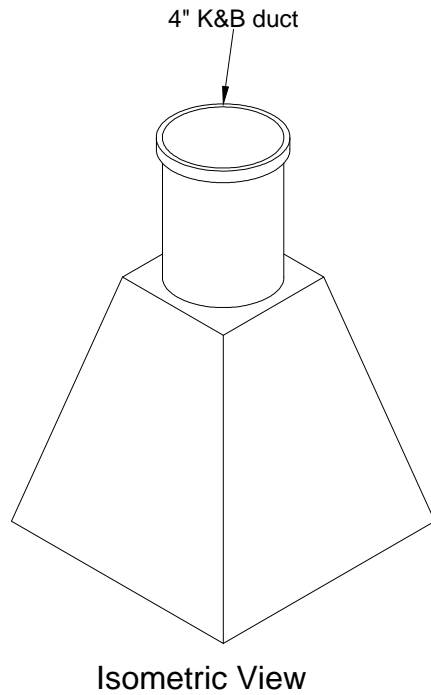
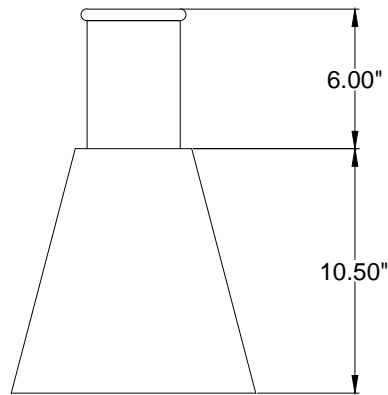


Bonney Forge Saw Project Conveyor Hood



Top View



Side View

Notes:

1. Airtight hood
2. Outlet to be 8" K&B duct

Avani Environmental Intl.
95 Cypress Drive
Youngsville, NC 27596
P# 919-570-2862 F# 919-570-2863

Avani

Project: Bonney Forge Saw Project

Drawing: Saw Hood

Date: 12/21/12

Drawn by:MDT

Sheet No: 1 Of 1

Rev.: 0