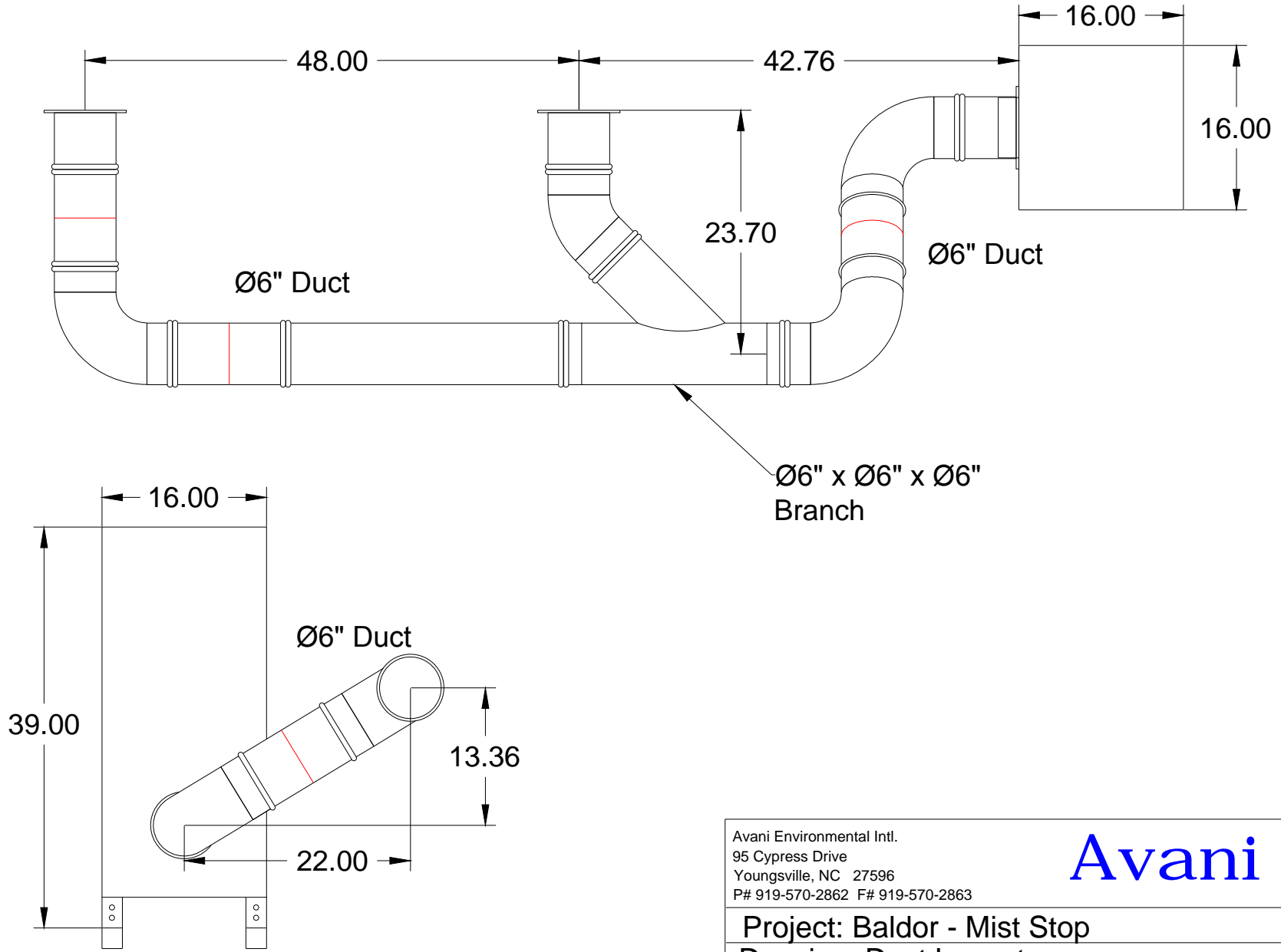


# Baldor - Mist Stop



Avani Environmental Intl. 95 Cypress Drive Youngsville, NC 27596 P# 919-570-2862 F# 919-570-2863		
<b>Project: Baldor - Mist Stop</b>		
<b>Drawing: Duct Layout</b>		
<b>Date: 3/26/13</b>	<b>Drawn by: MDT</b>	
<b>Sheet No: 1 Of 1</b>	<b>Rev.: 1</b>	