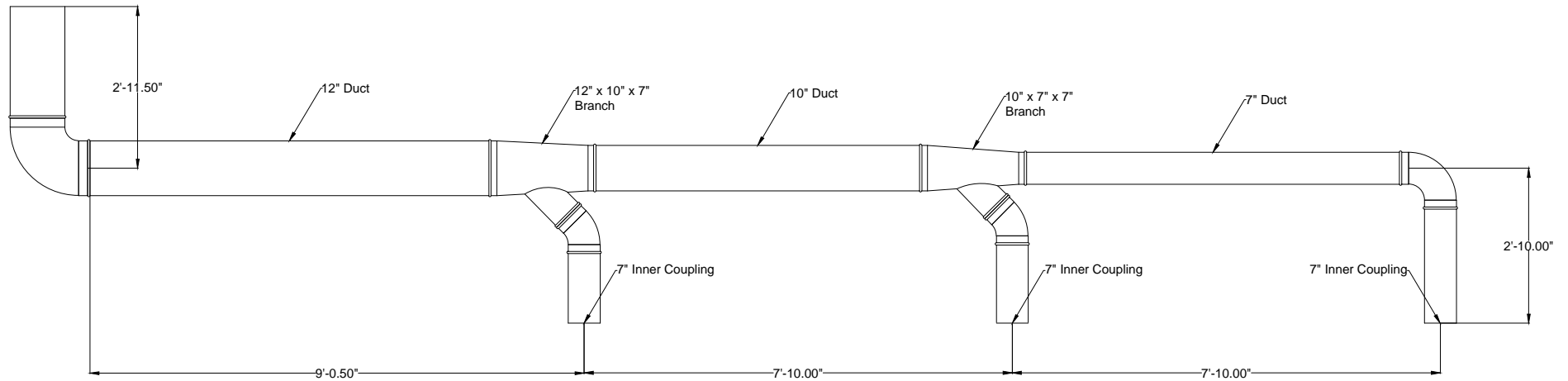


Baker Hughes Ductwork



Elevation View

Notes:

1. All duct spiral
2. Will connect to 7" Tubing
3. Will attach to walls/ceiling with unistrut/gripplers
4. All duct fabricated in 10' sections when possible

Avani Environmental Intl. 95 Cypress Drive Youngsville, NC 27596 P# 919-570-2862 F# 919-570-2863		
Project: Baker Hughes - Grinding		
Drawing: Duct Layout		
Date: 2/11/13		Drawn by: MDT
Sheet No: 1 Of 1		Rev.: 0