



Date: February 01, 2013

Project:

To: Baker Hughes

Attn:

Recommended Equipment:

Grinding Room: 8' (W) x 9'(D) x 10'(H)

- No backdraft module
- Side panels
- LED working lights
- Crane slot
- Sliding door w/ viewing windows

Avani Environmental Intl. Inc.

95 Cypress Drive

Youngsville, NC 27596

www.avanienvironmental.com

Phone: (919) 570-2862

Fax: (919) 570-2863

Email: info@avanienvironmental.com

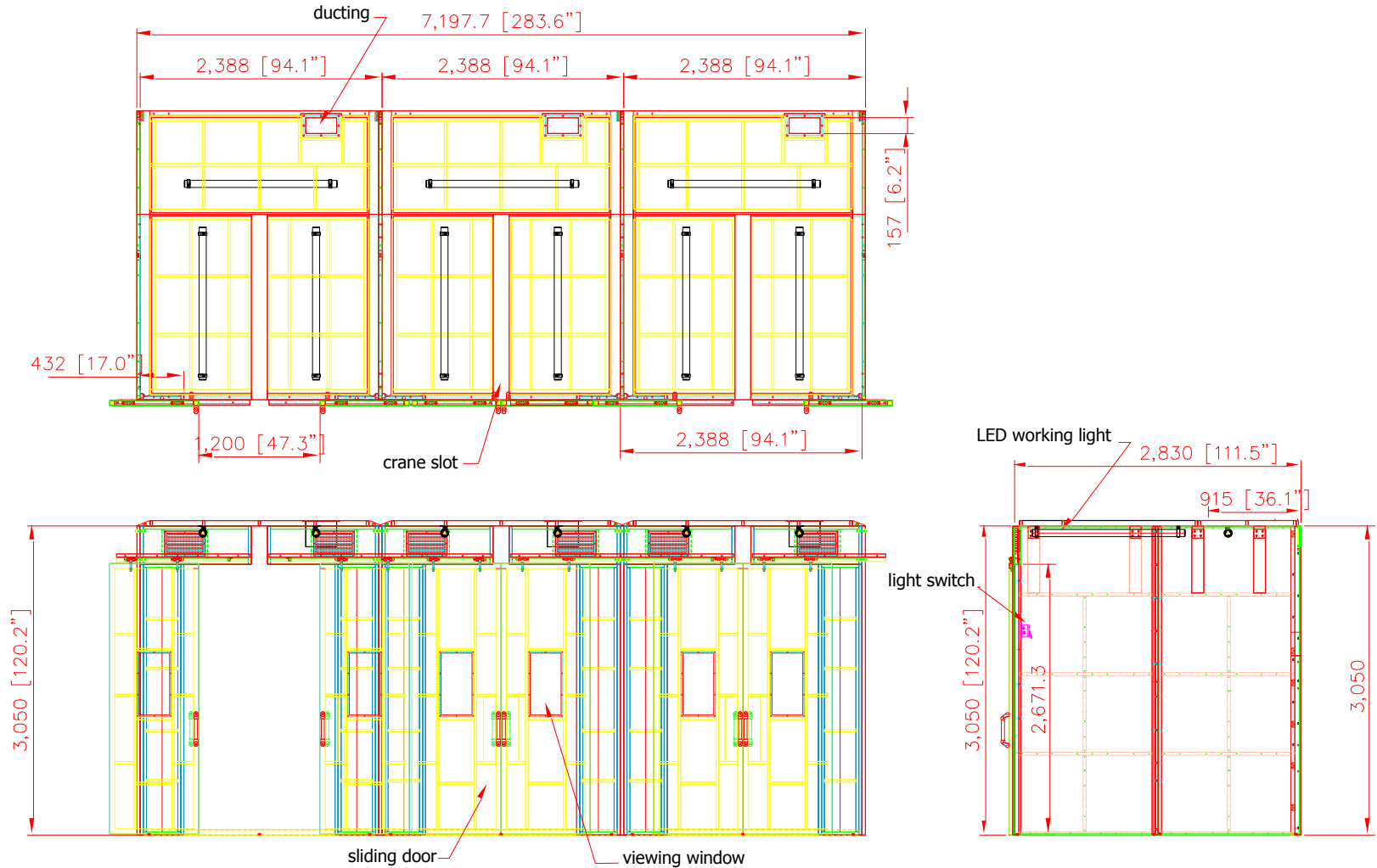
www.weldingbooths.com

DO NOT SCALE

IF IN DOUBT ASK



Revisions			
Rev	Description	Date	Approved



AVANI ENVIRONMENTAL INTL. INC. Sales Department
 95 Cypress Drive
 Youngsville, NC 27596

(919) 570-2862
 info@avanienvironmental.com

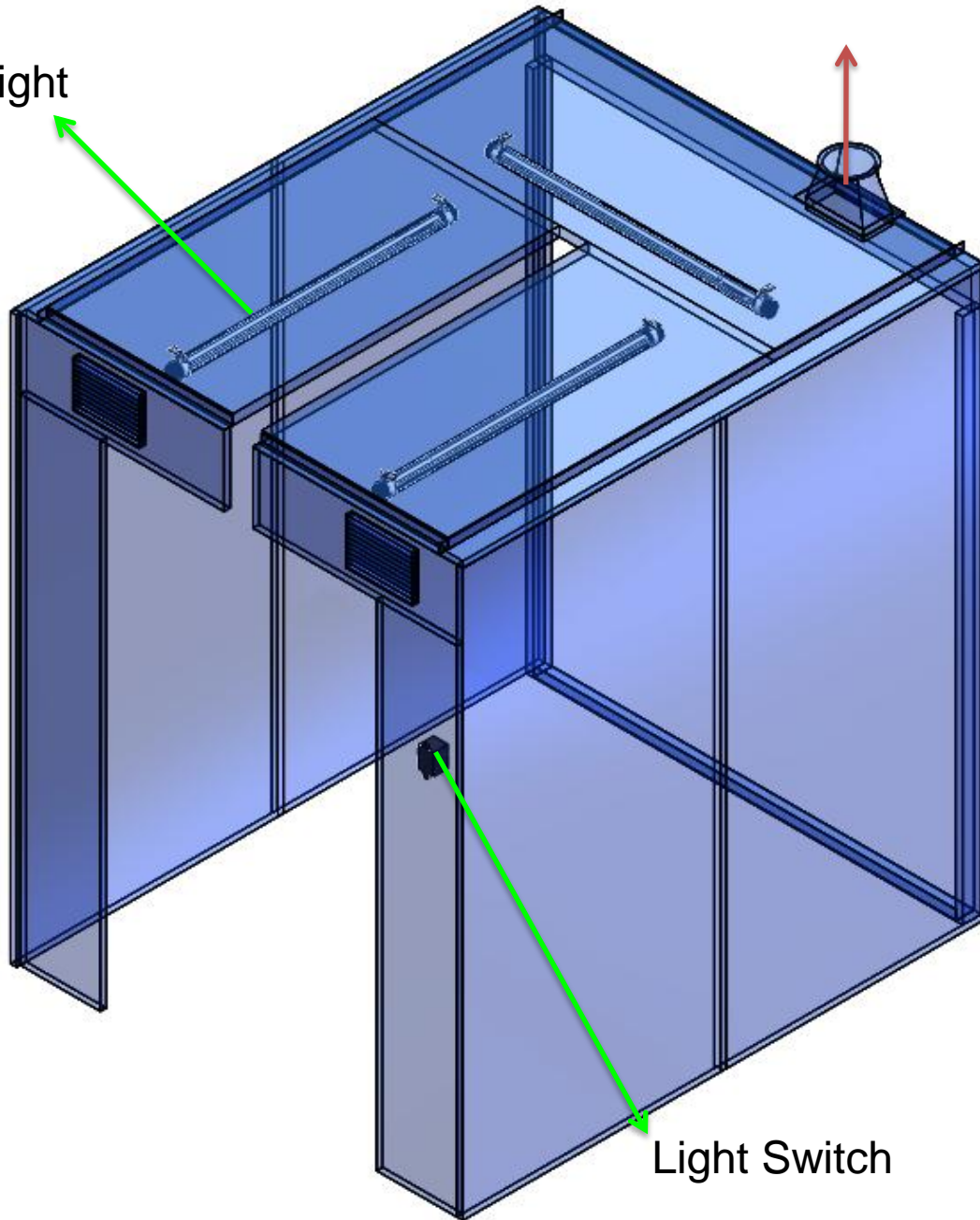
Date	Name	Part Number:
2013-02-01	***	Baker-Hughes
Checked by:		

Title: Grinding Room 8'W x 9'D x 10'H
 (no backdraft module)

The drawings, AutoCAD, 3-D Models, and specifications are the property of Avani Environmental Intl. Inc. (AE) and may not be reproduced, distributed, modified, or otherwise used, except provided herein, without the express written permission of AE.

Size	Scale	Drawing Number:
A	1 = 40	WB-8x9x10P-G

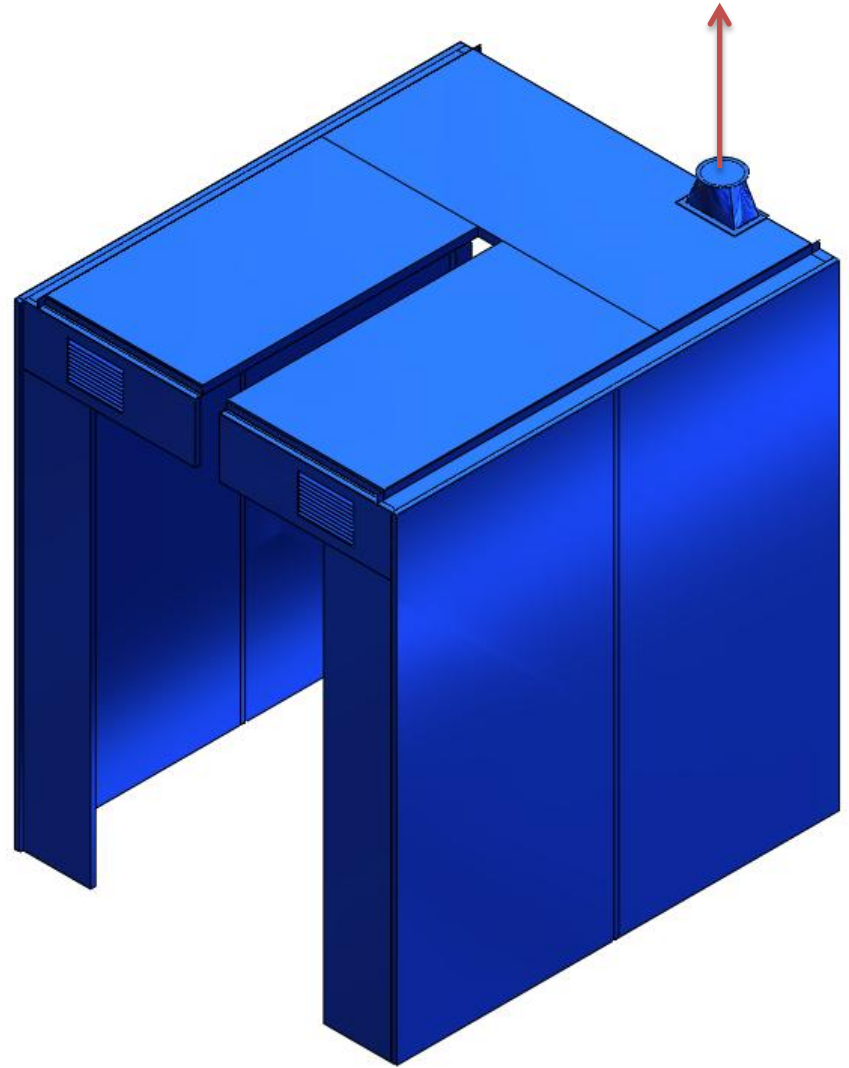
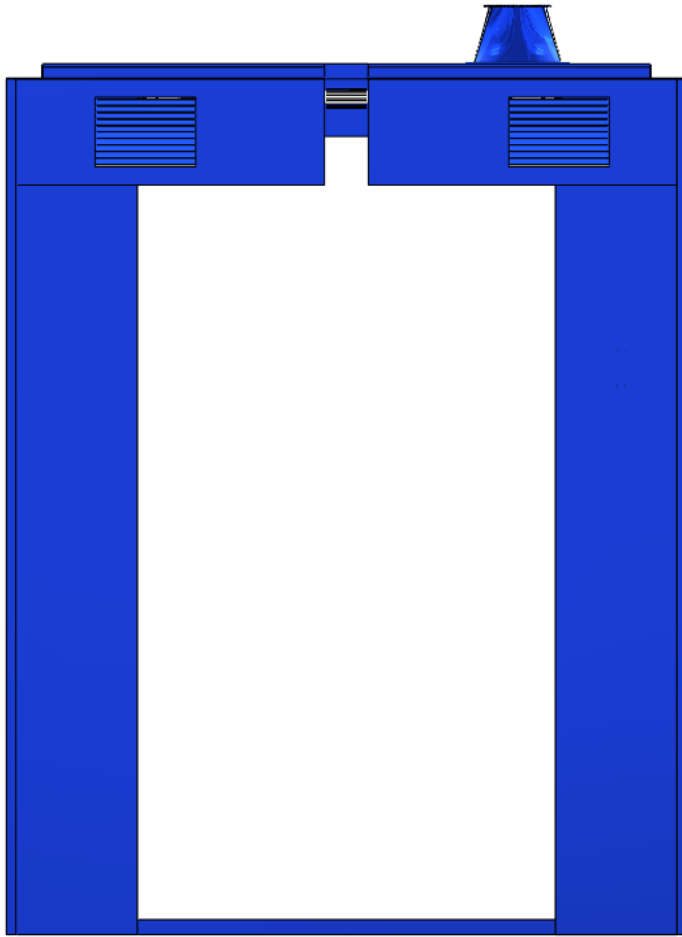
LED light

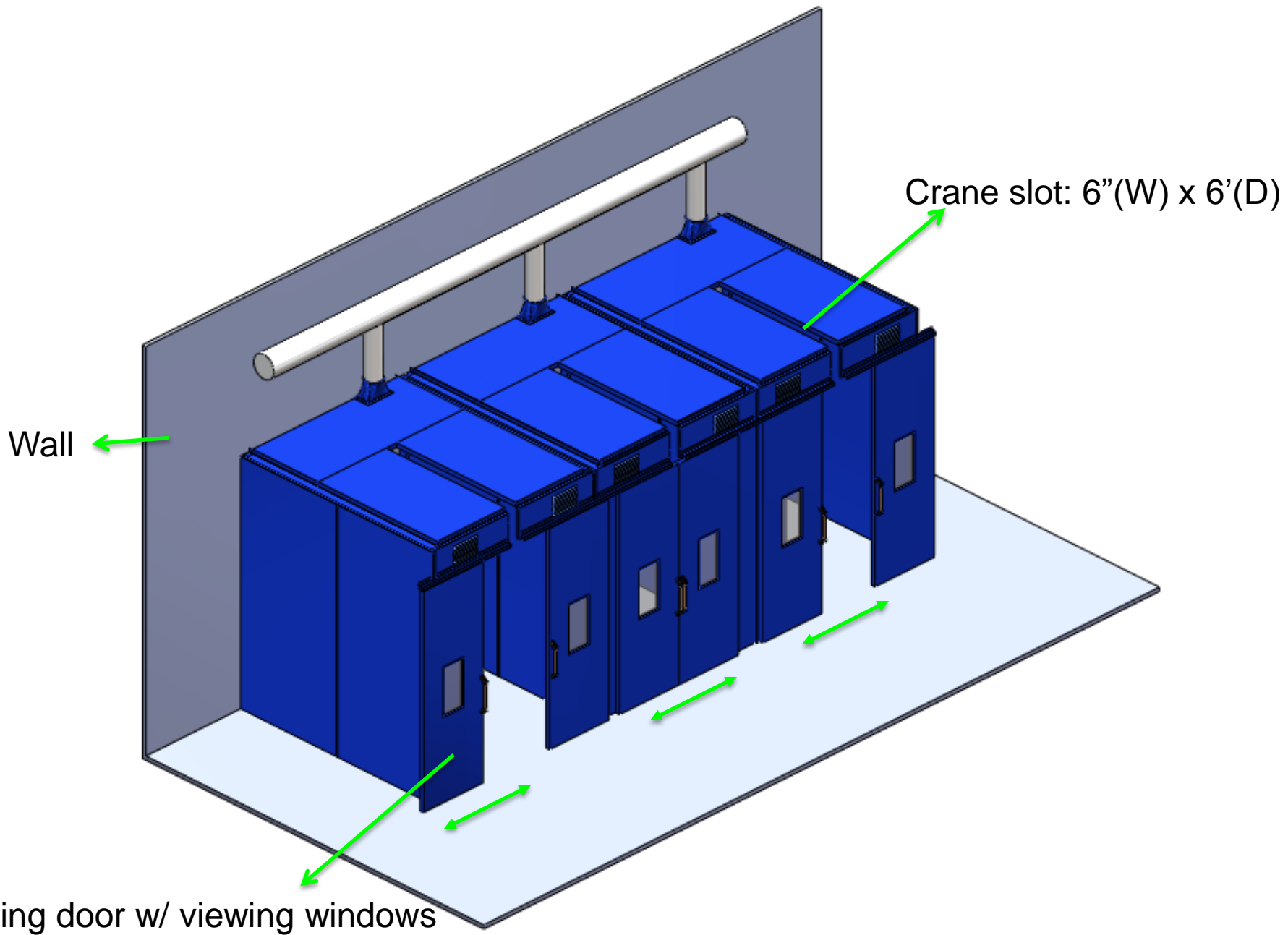


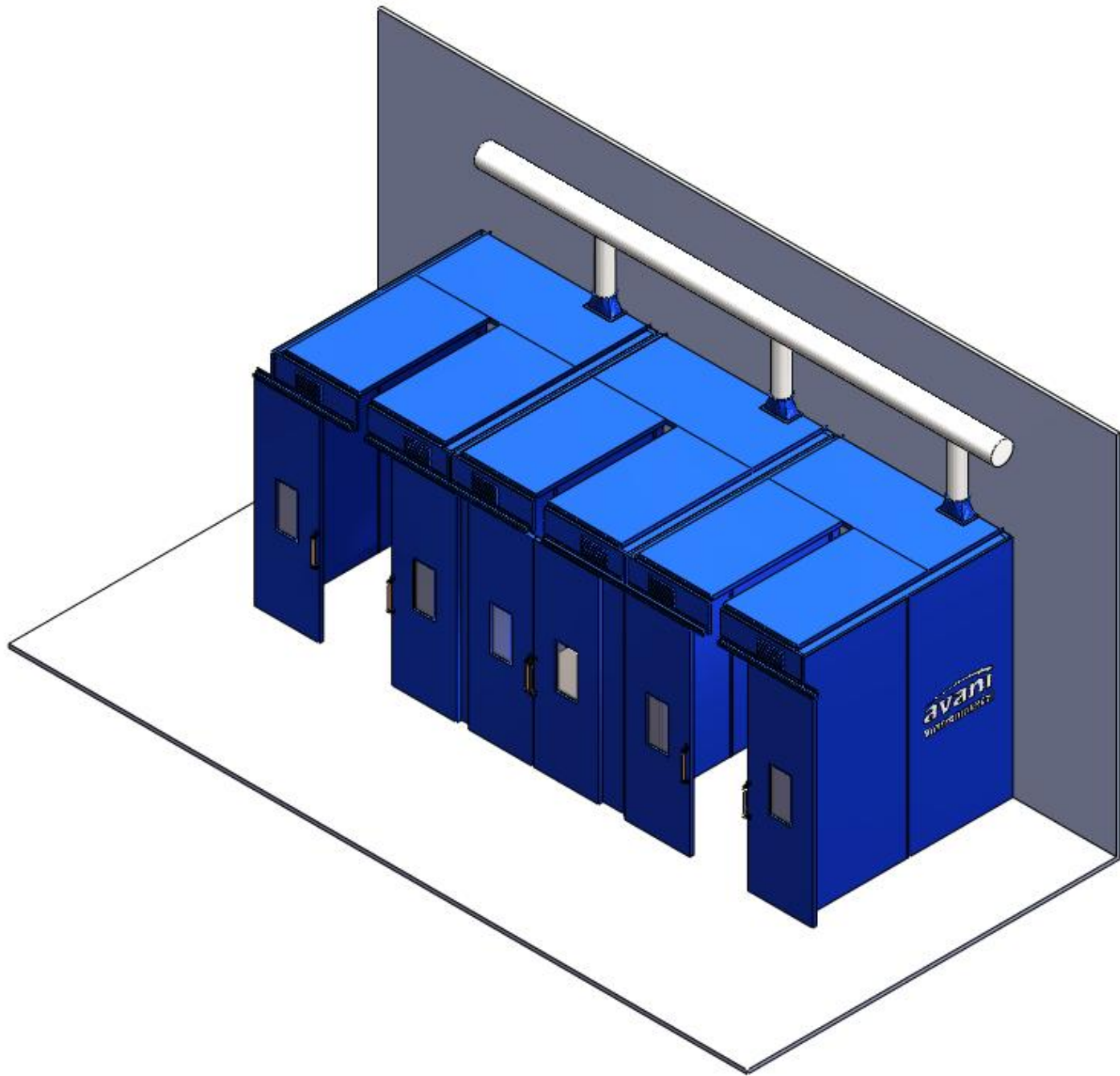
Light Switch

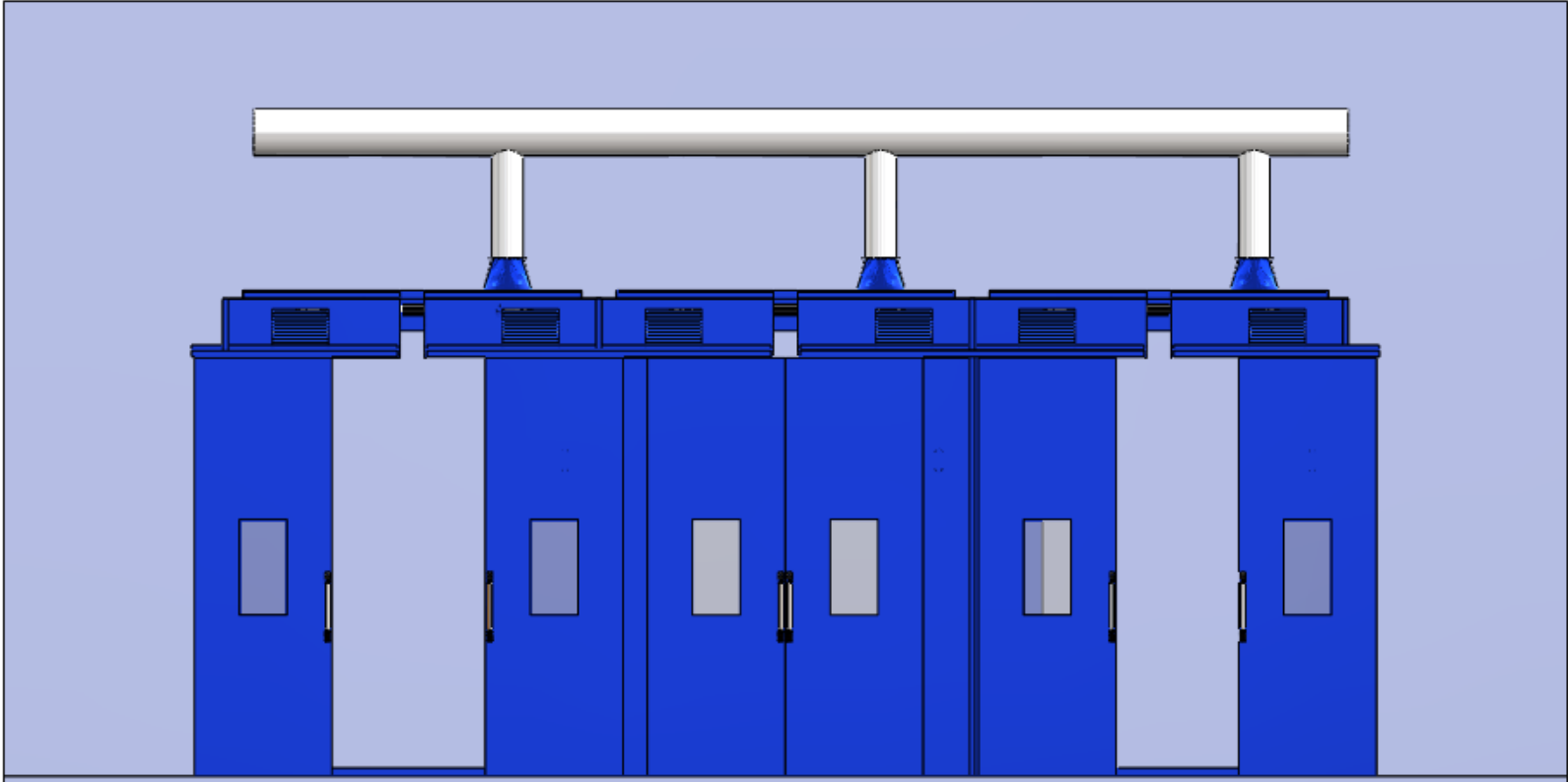
no backdraft module

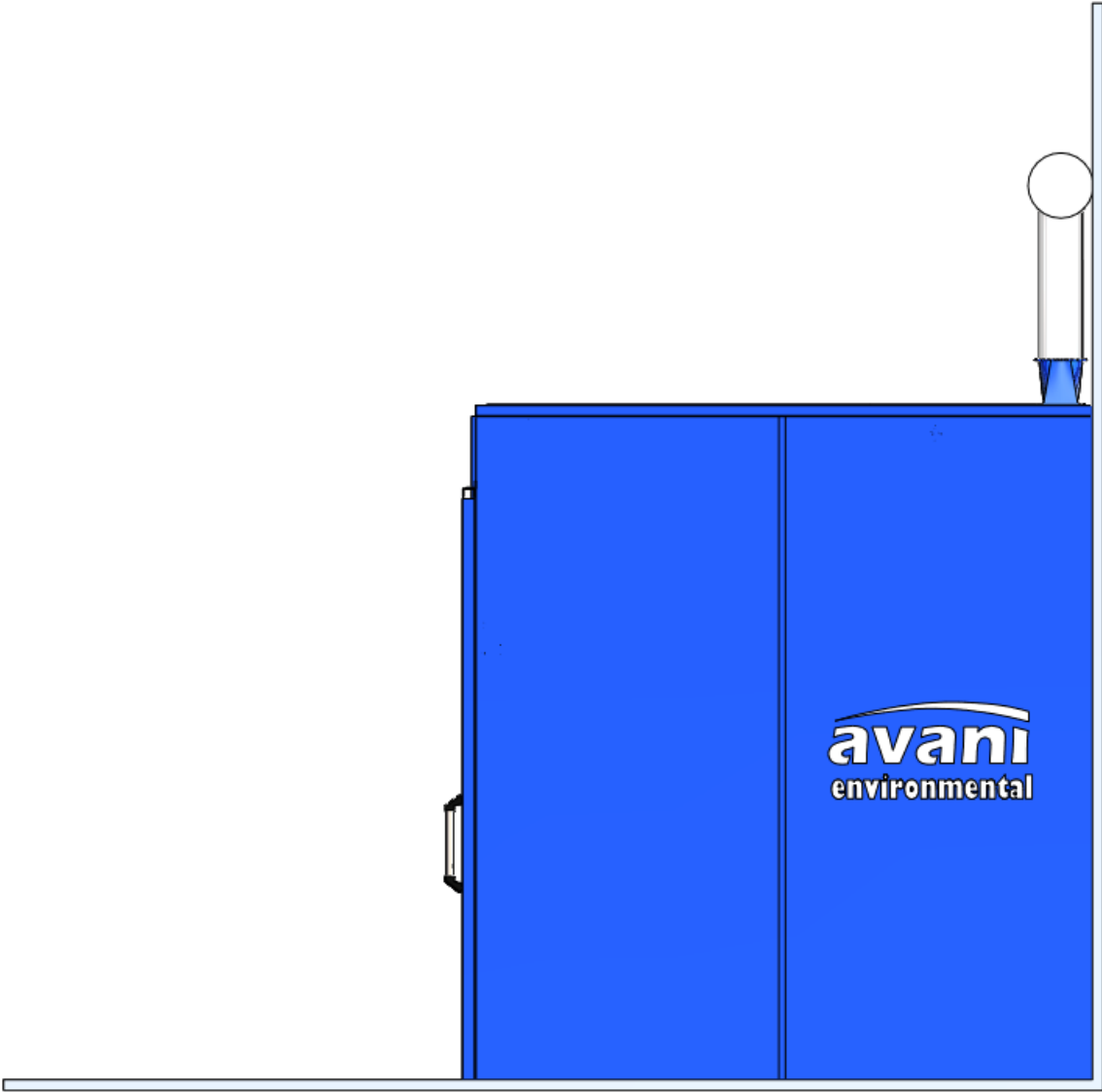
To dust collection system











avani
environmental

