



Date: January 31, 2013

Project:

To: Baker Hughes

Attn:

Recommended Equipment:

Grinding Booth: 8' (W) x 9'(D) x 10'(H)

- LED working lights
- Crane slot
- Sliding door w/ viewing windows

Avani Environmental Intl. Inc.

95 Cypress Drive

Youngsville, NC 27596

www.avanienvironmental.com

Phone: (919) 570-2862

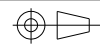
Fax: (919) 570-2863

Email: info@avanienvironmental.com

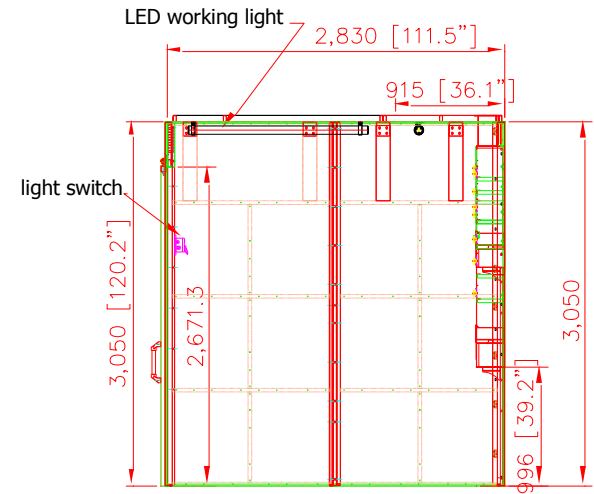
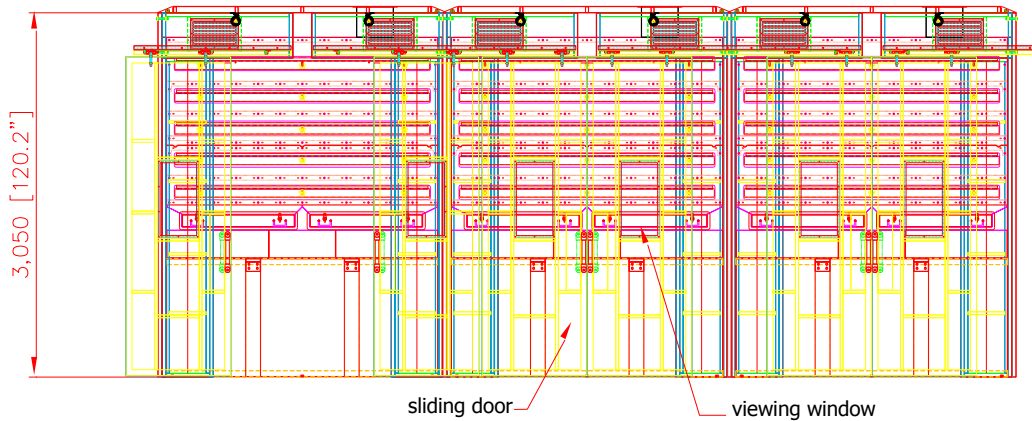
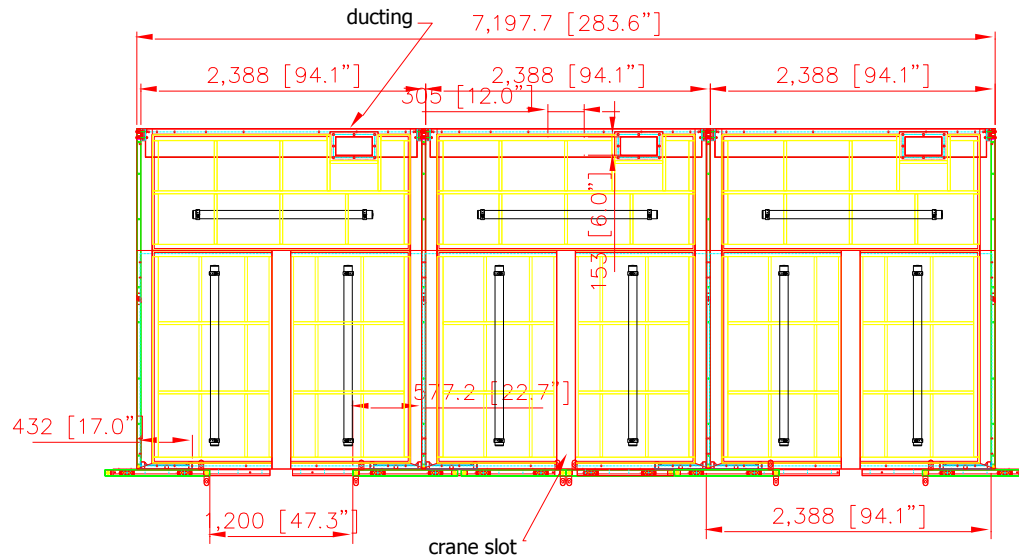
www.weldingbooths.com

DO NOT SCALE

IF IN DOUBT ASK



Revisions			
Rev	Description	Date	Approved



AVANI ENVIRONMENTAL INTL. INC. Sales Department
 95 Cypress Drive
 Youngsville, NC 27596

(919) 570-2862
 info@avanienvironmental.com

Drawn by:	Date	Name
Checked by:	2013-01-31	***

Part Number:
 Baker-Hughes

Title:
 Grinding Room 8'W x 9'D x 10'H

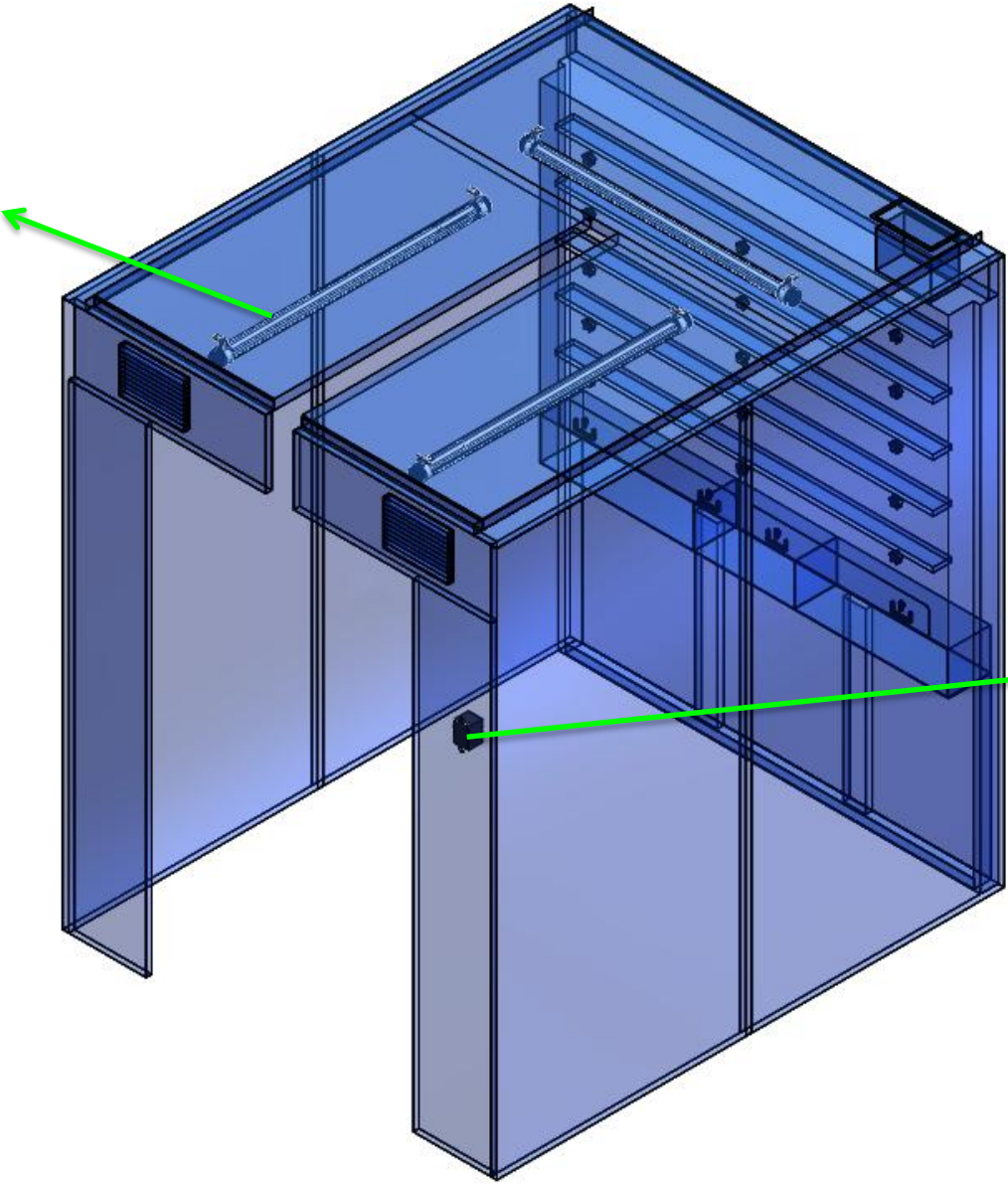
The drawings, AutoCAD, 3-D Models, and specifications are the property of Avani Environmental Intl. Inc. (AE) and may not be reproduced, distributed, modified, or otherwise used, except provided herein, without the express written permission of AE.

Size
A

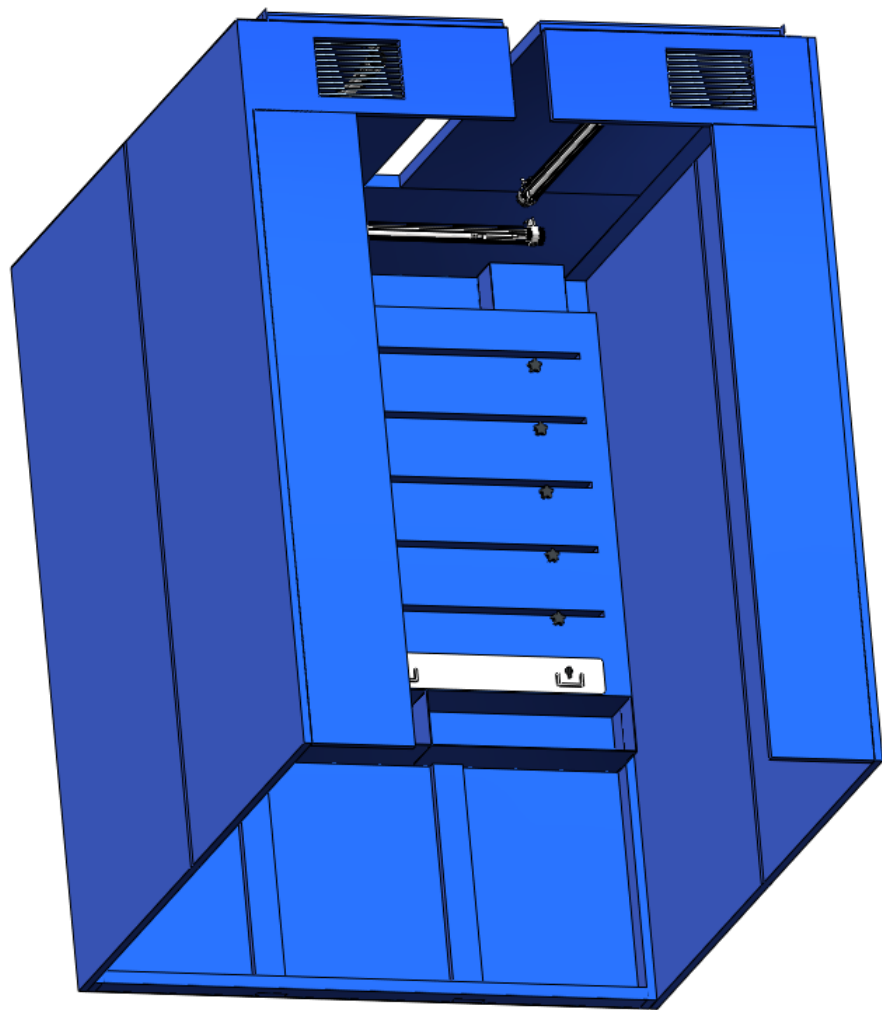
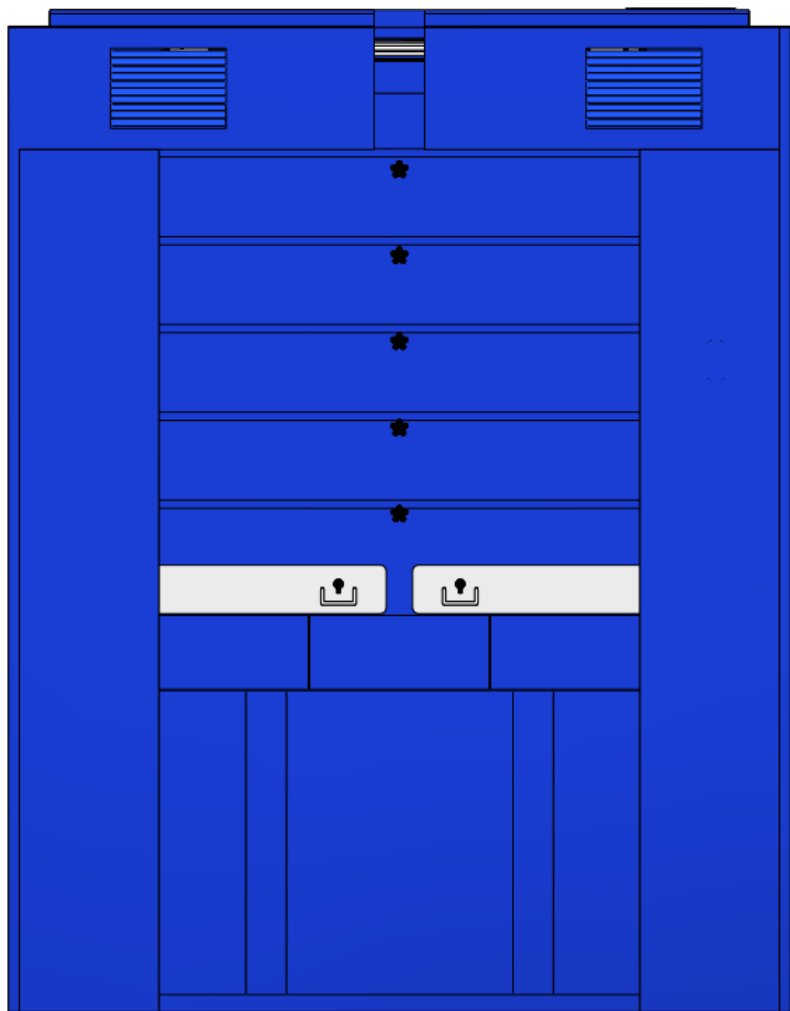
Scale
 1 = 40

Drawing Number:
 WB-8x9x10P-G

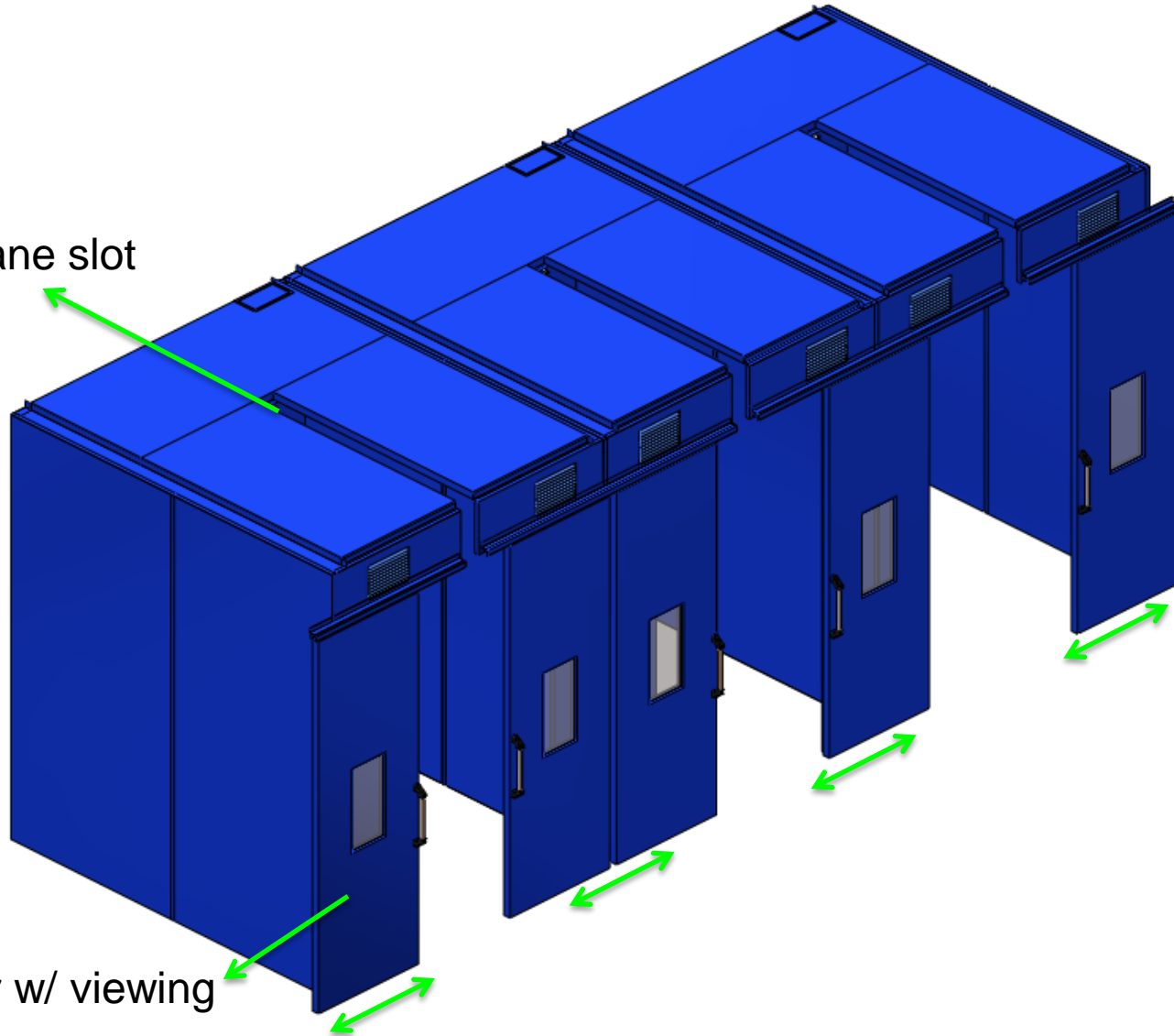
LED lights



Light Switch



Crane slot

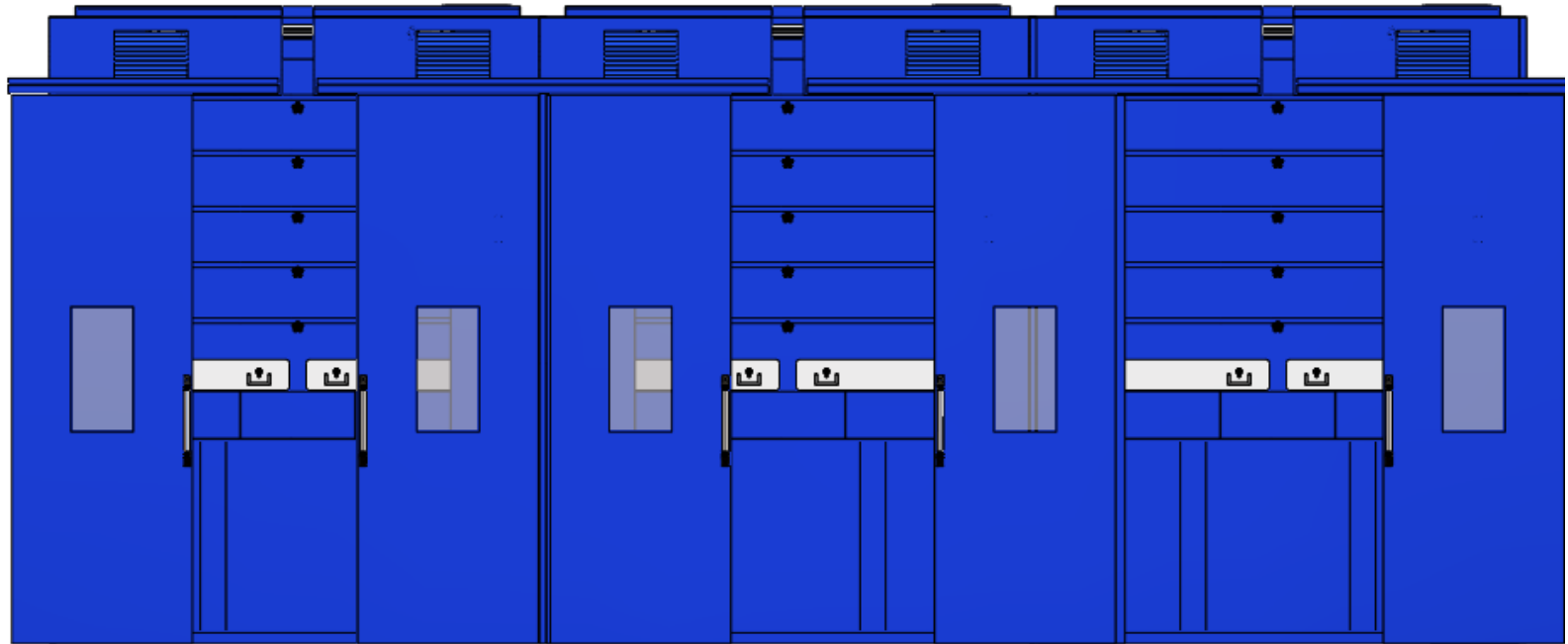


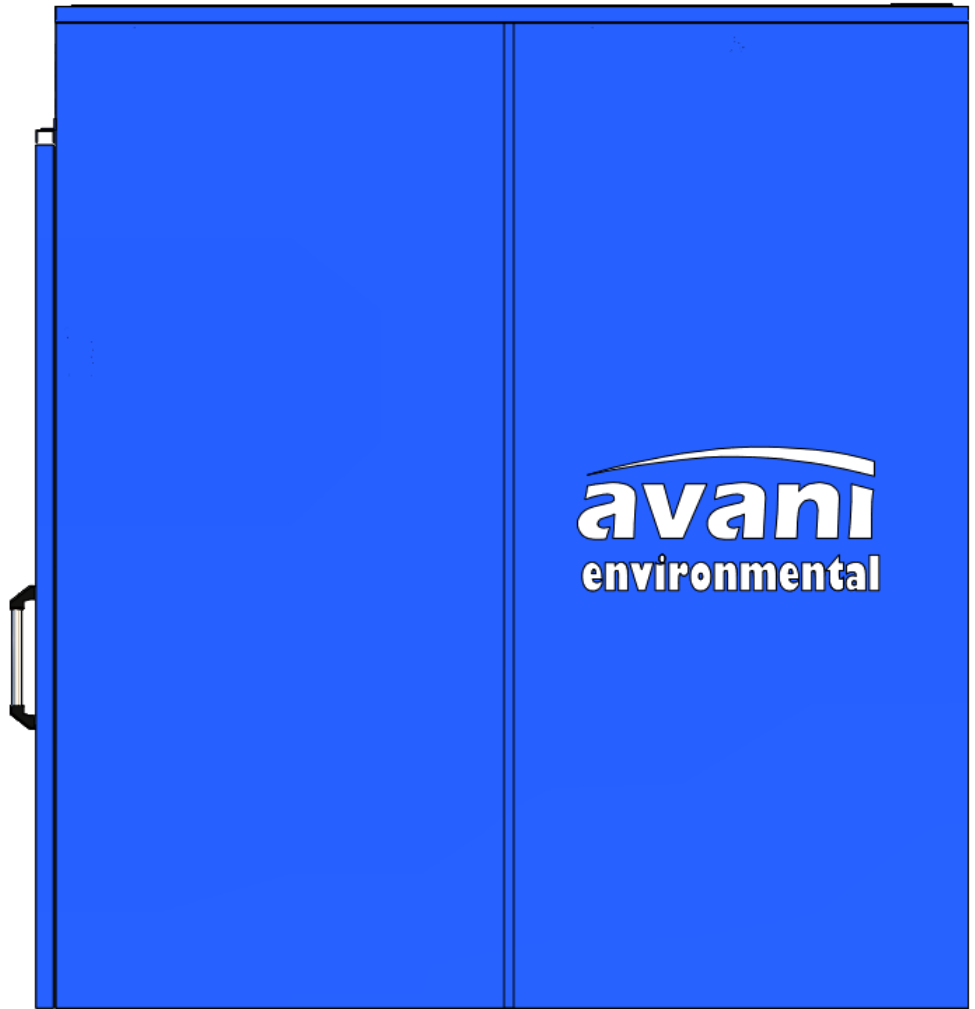
Sliding door w/ viewing window



To dust collection system

avani
environmental





avani
environmental

