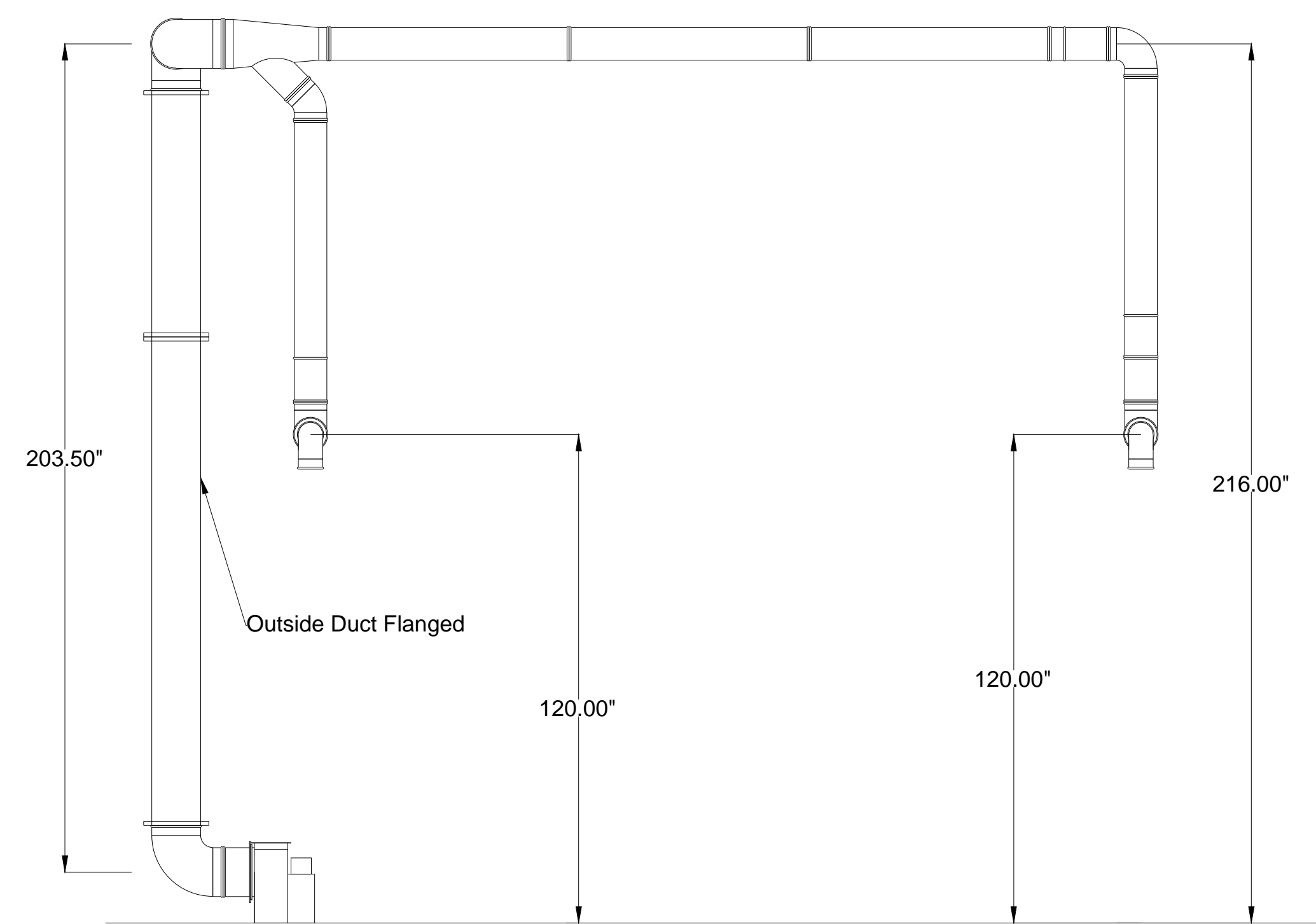
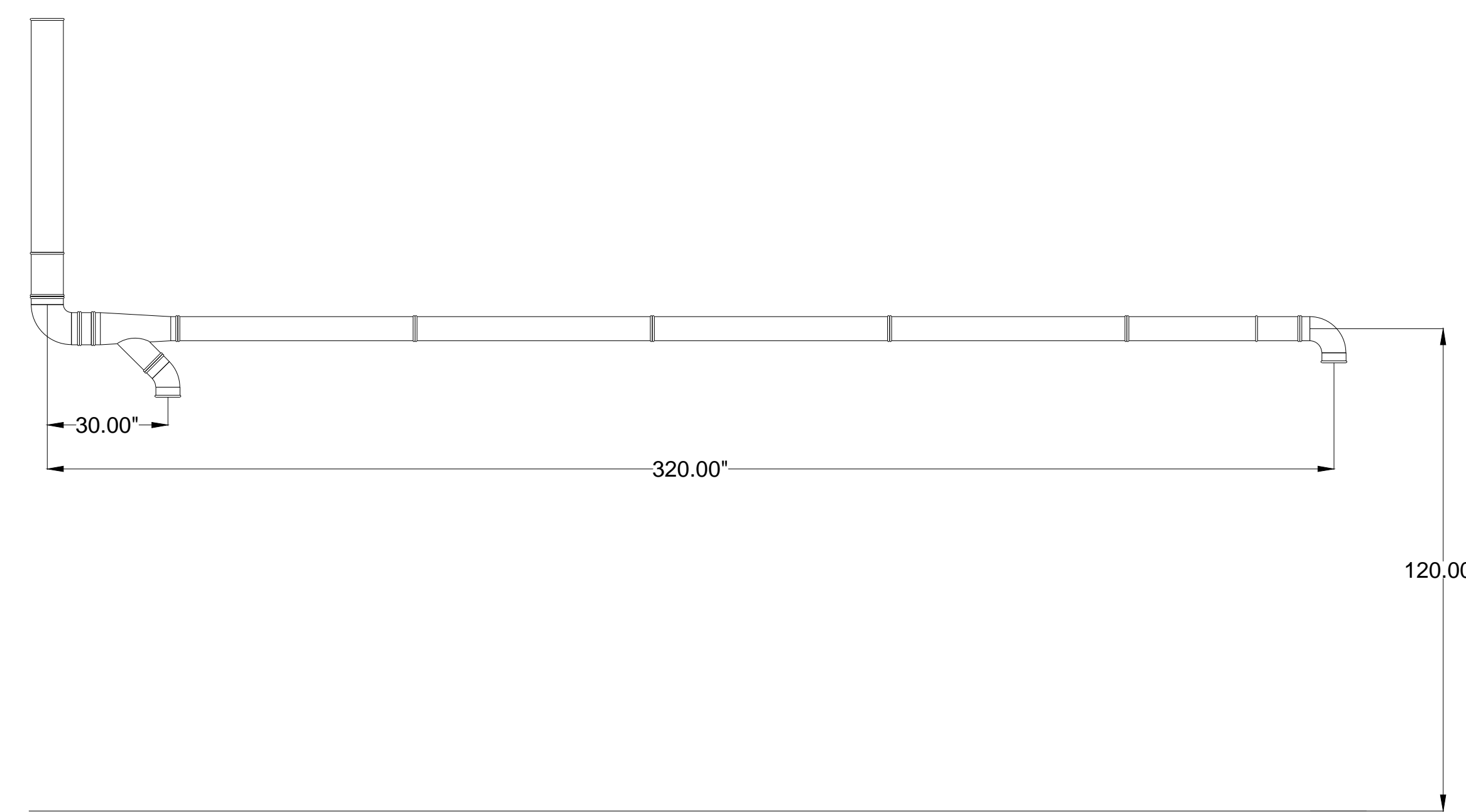


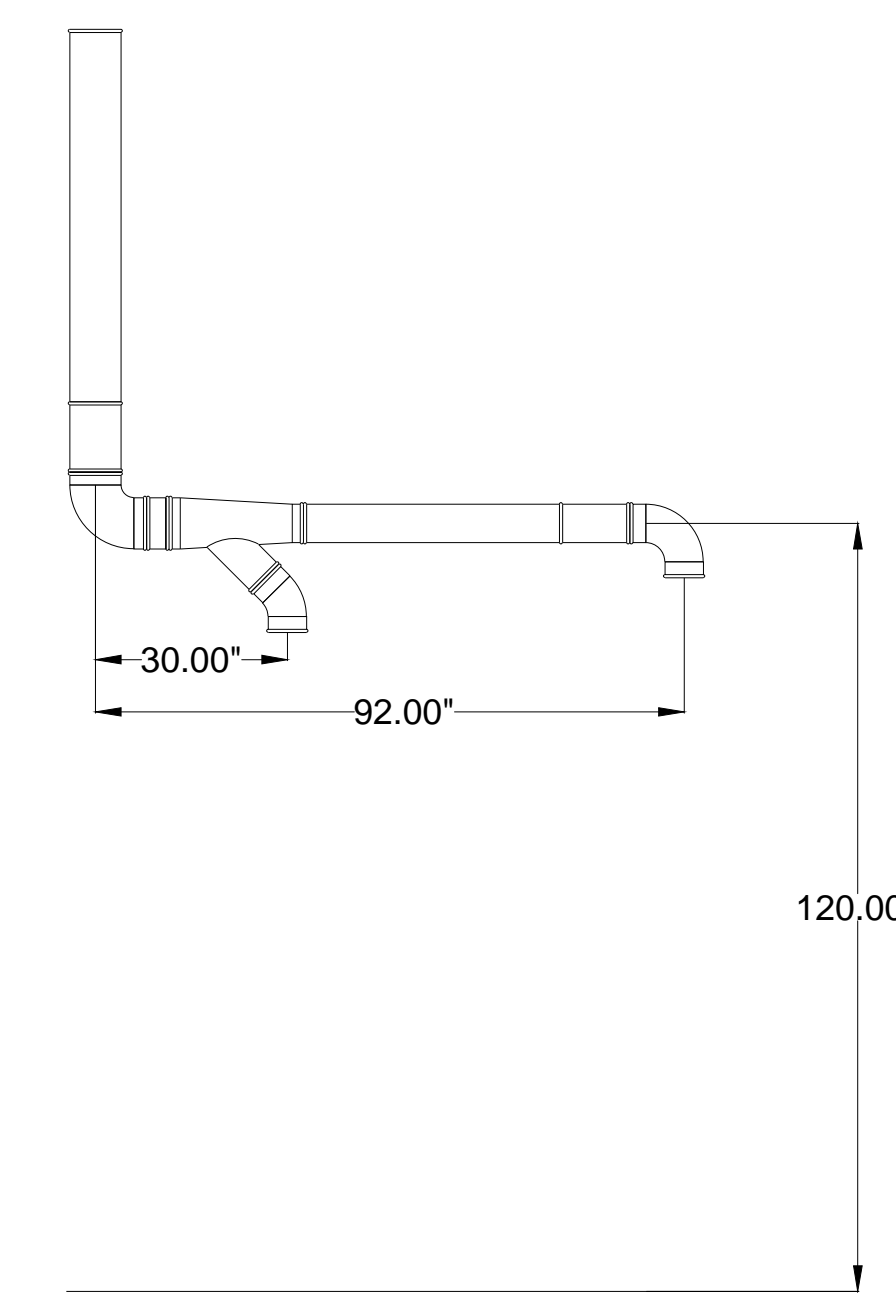
Baker Hughes Ductwork



Trunkline

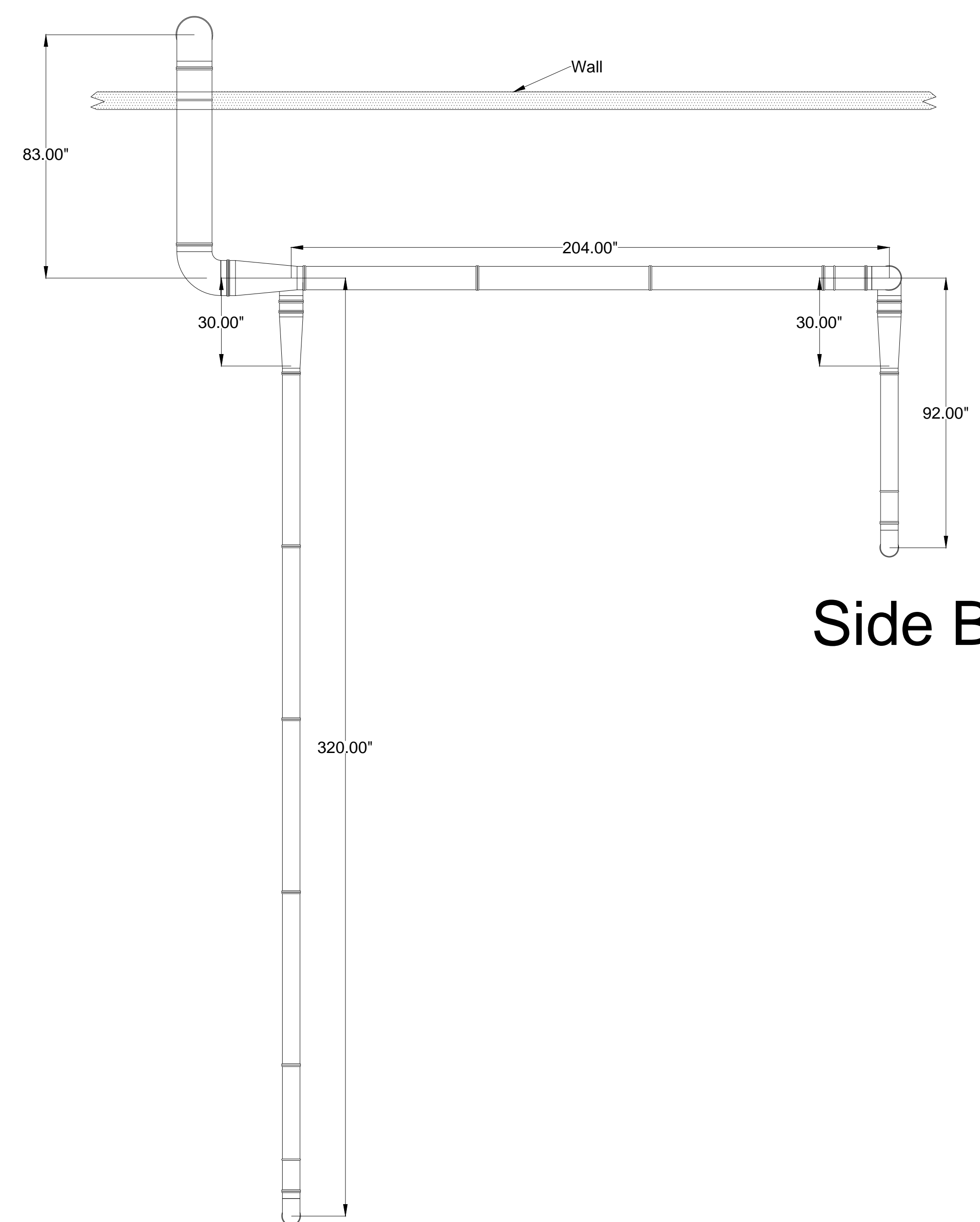


Side A



Side B

Elevation View



Side B

Side A

Plan View

Notes:

1. All duct spiral
2. Will connect to spiral metal already installed
3. Will attach to walls/ceiling with unistrut/gripples
4. All outside duct flanged
5. All duct fabricated in 10' sections

Avani Environmental Intl.
 95 Cypress Drive
 Youngsville, NC 27596
 P# 919-570-2862 F# 919-570-2863

Avani

Project: Baker Hughes

Drawing: Duct Layout

Date: 2/11/13

Drawn by: MDT

Sheet No: 1 Of 1

Rev.: 0