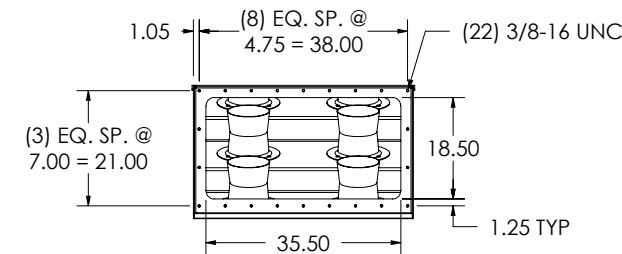
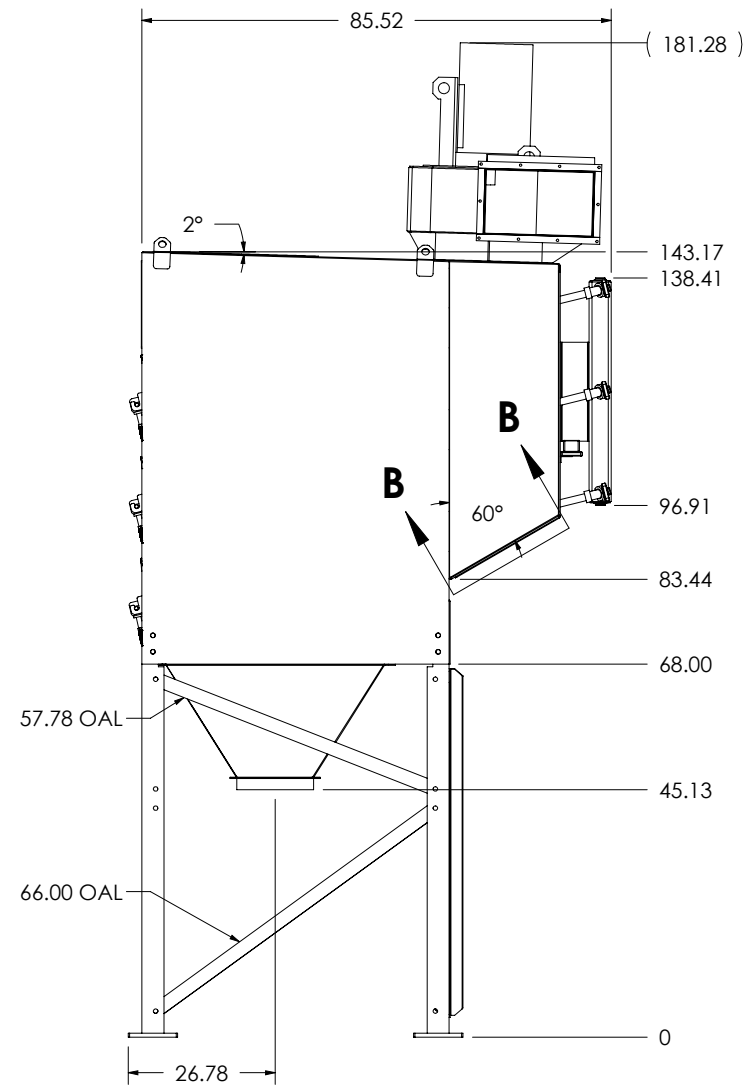
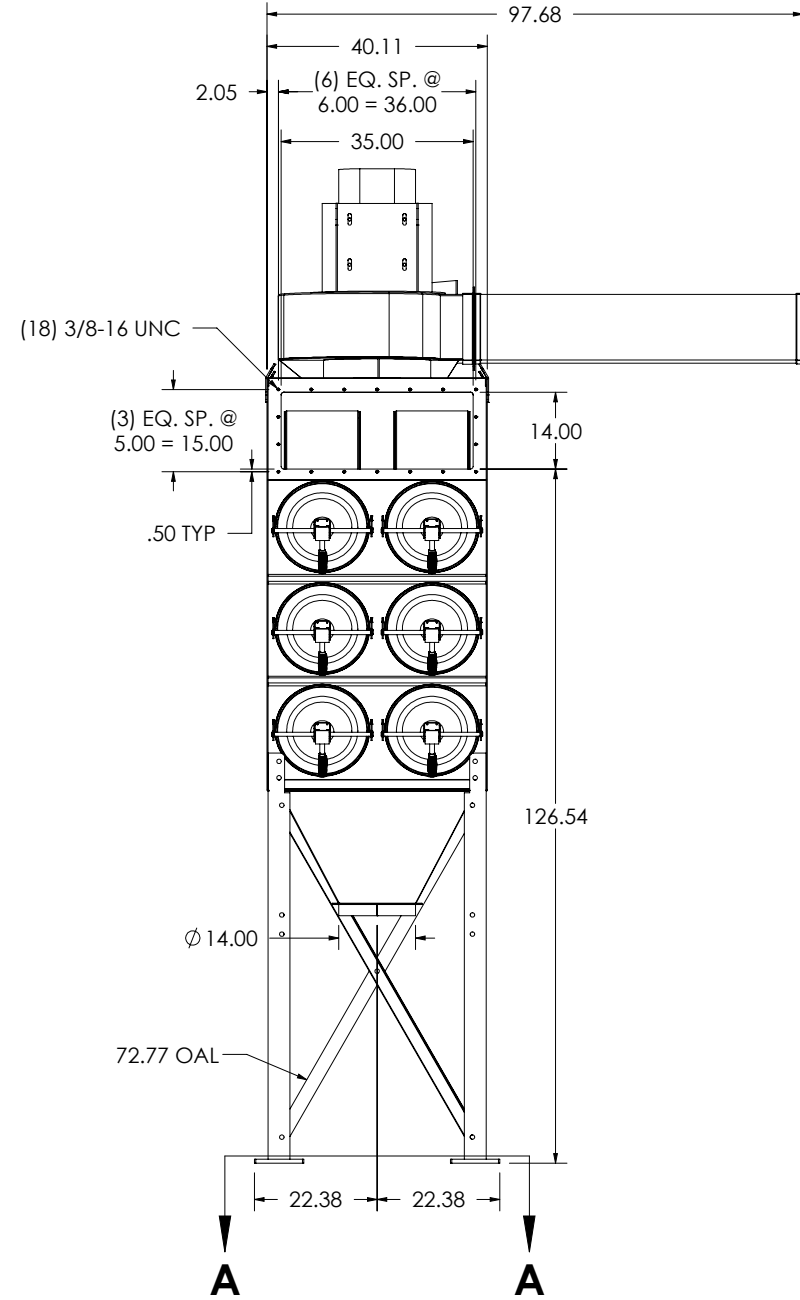
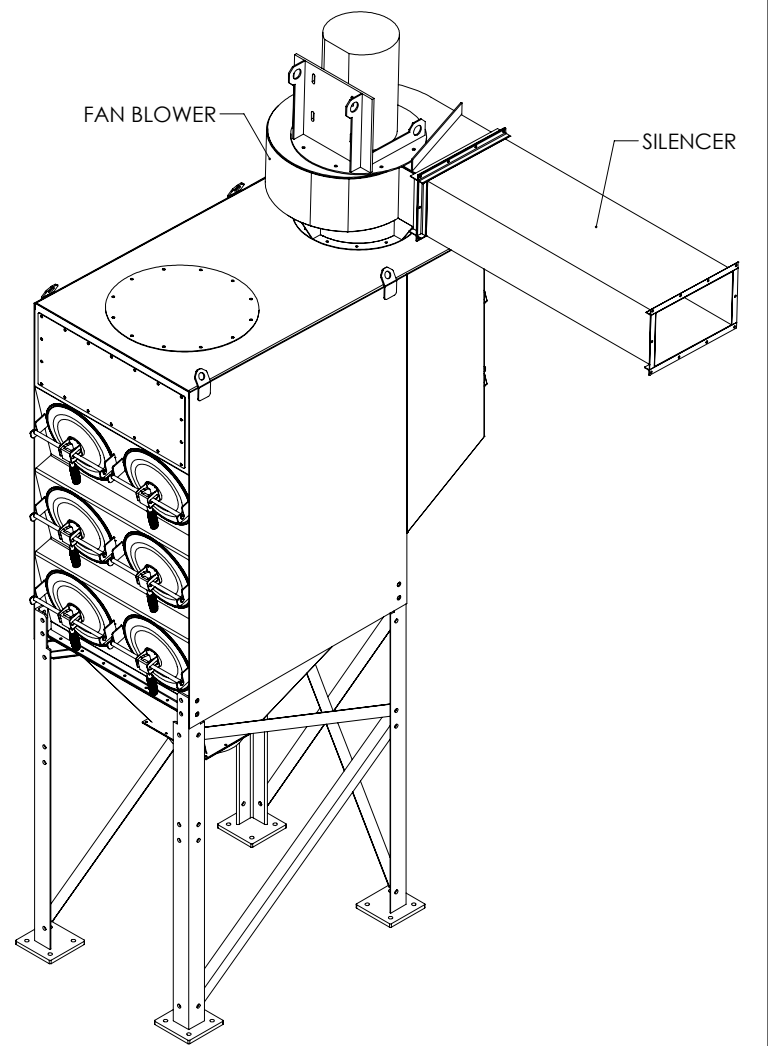


SECTION A-A



SECTION B-B




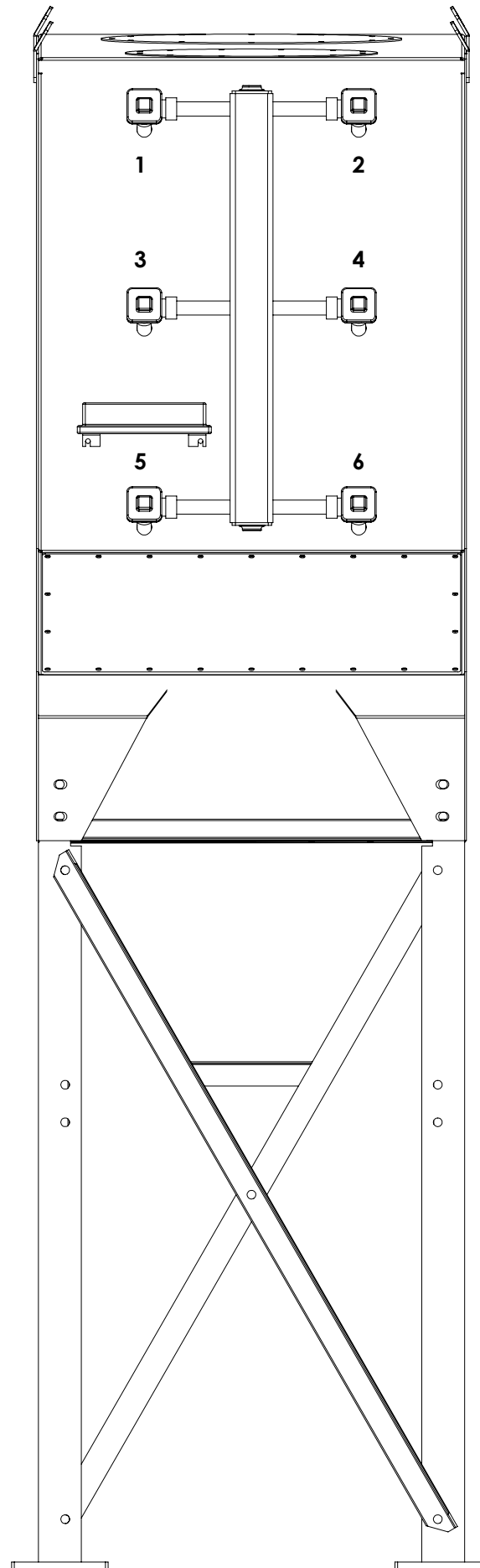
ACCESSORIES:

1. FAN BLOWER: TCF TCBI 15
2. FAN OUTLET SILENCER
3. DRUM LID LATCH KIT


NOTES:

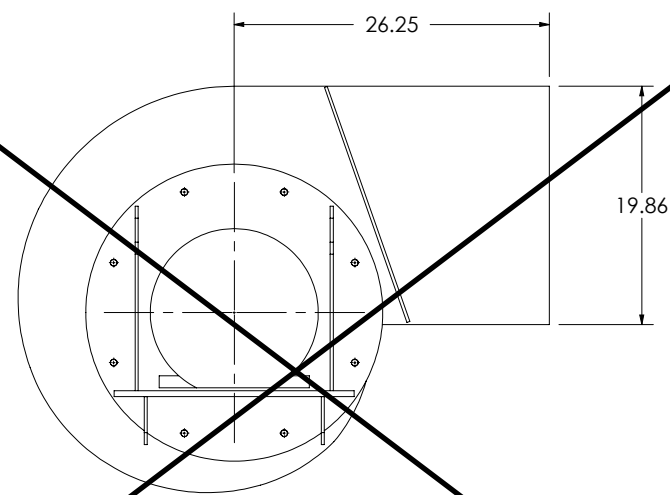
1. COLLECTOR WT: 2,350 LBS
2. FAN WT: 617 LBS
3. FAN SILENCER WT: 122 LBS
4. FAN SILENCER TO BE SUPPORTED BY OTHERS

REV	ECN	DATE	BY	CHK	DESCRIPTION
-	-	-	-	-	-
 95 Cypress Dr. Youngsville, NC 27597 Phone: 919-570-2862 www.avanienvironmental.com					
DRAWN BY: JX					
DATE: 10/2/13					
CHKD BY: JX					
DATE: 10/2/13					
SHOP NO.:					
TITLE: SDC-AT 3-12					
DRAWING NO.:					
SHEET: 1 OF 1					
ITEM: -					
REV: -					
SCALE: 1:35					
BC 15737-001					

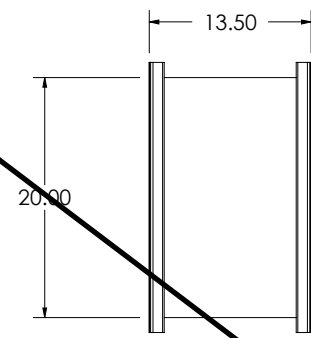


DRAWN BY
JX
DATE
10/2/13
CHKD BY
-
DATE
-
SHOP NO.
-
SCALE
1:15

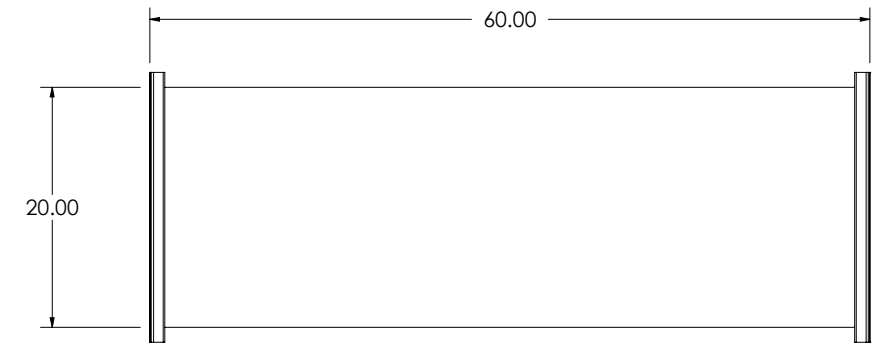
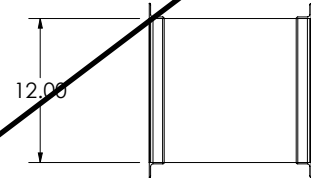
REV	ECN	DATE	BY	CHK	DESCRIPTION
-	-	-	-	-	-
					95 Cypress Dr. Youngsville, NC 27597 Phone: 919-570-2862 www.avanienvironmental.com
TITLE					
SDC-AT 3-12					
DIAPHRAGM VALVE LOCATIONS					
DRAWING NO.				SHEET	ITEM
BC 500030				1 OF 1	-
				REV.	-



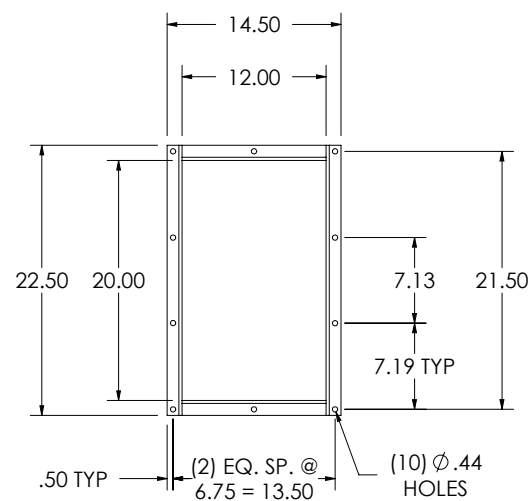
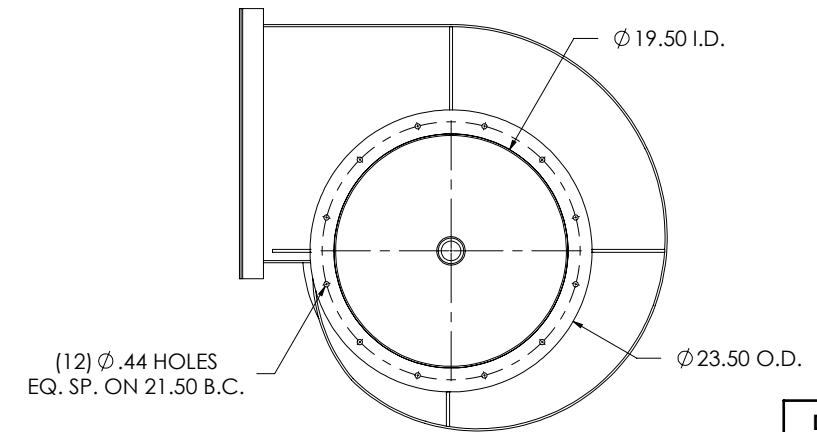
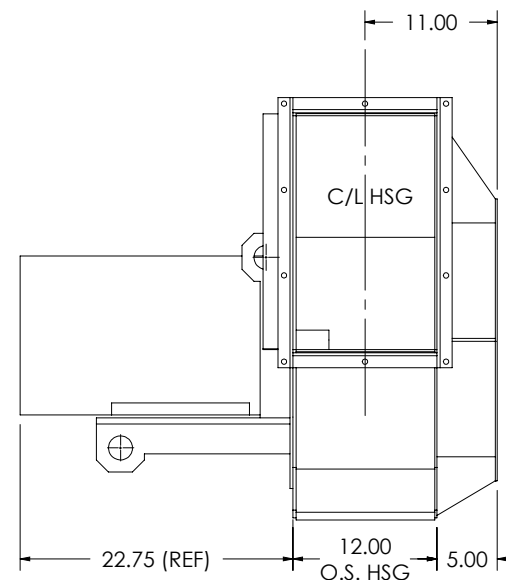
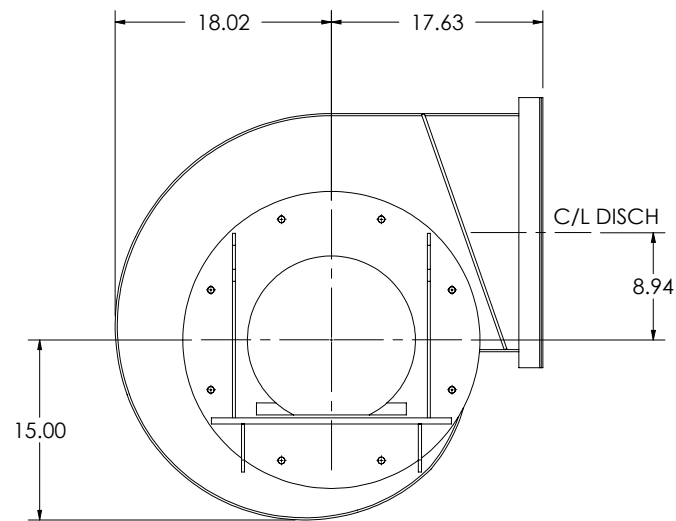
BUILT-IN DAMPER



DETACHED OUTLET DAMPER



OUTLET SILENCER



FLANGE DETAIL

NOTES:
1. "CW" ROTATION SHOWN. "CCW" ROTATION SIMILAR BUT OPPOSITE.

THE INFORMATION SHOWN ON THIS DRAWING IS THE EXCLUSIVE PROPERTY OF AIR CLEANING TECHNOLOGY, INC. IT IS NOT TO BE USED FOR ANY PURPOSE OR ITS CONTENTS DISCLOSED WITHOUT OUR WRITTEN CONSENT.

DESCRIPTION	APPROX. WT (LBS)
FAN	617
DAMPER	81
SILENCER	122
BUILT-IN DAMPER	TBD

REV	ECN	DATE	BY	CHK	DESCRIPTION
-	-	-	-	-	-



95 Cypress Dr.
Youngsville, NC 27597
Phone: 919-570-2862
www.avanienvironmental.com

DRAWN BY	JX
DATE	8/15/13
CHKD BY	JX
DATE	8/15/13
SHOP NO.	15737-001
TOLERANCES UNLESS OTHERWISE SPECIFIED	
DECIMALS: .X ± .05 .XX ± .010 .XXX ± .005	
FRACTIONS: ± 1/64	
ANGULAR: ± 1 DEG	
ALL DIMENSIONS IN INCHES UNLESS OTHERWISE SPECIFIED	
SCALE	1:16

TITLE	TCF 15 TCBI FAN W/ ACCESSORIES		
DRAWING NO.	BC 500052	SHEET	1 OF 1
ITEM	-	REV.	-