



REPRESENTED BY:

TODD AIR SOLUTIONS  
101 E FISHER ST, 3rd FLOOR  
SALISBURY NC 28144  
Phone: 704 630-1101  
Fax: 704 630-0528

DRAWING SUBMITTAL

CUSTOMER:

AVANI ENVIRONMENTAL  
PO BOX 1279  
YOUNGSVILLE, NC 27596

DATE: 11/1/2011

ATTENTION: Mr. Bob Venezia

P.O. # 3727

CFV # 1113682

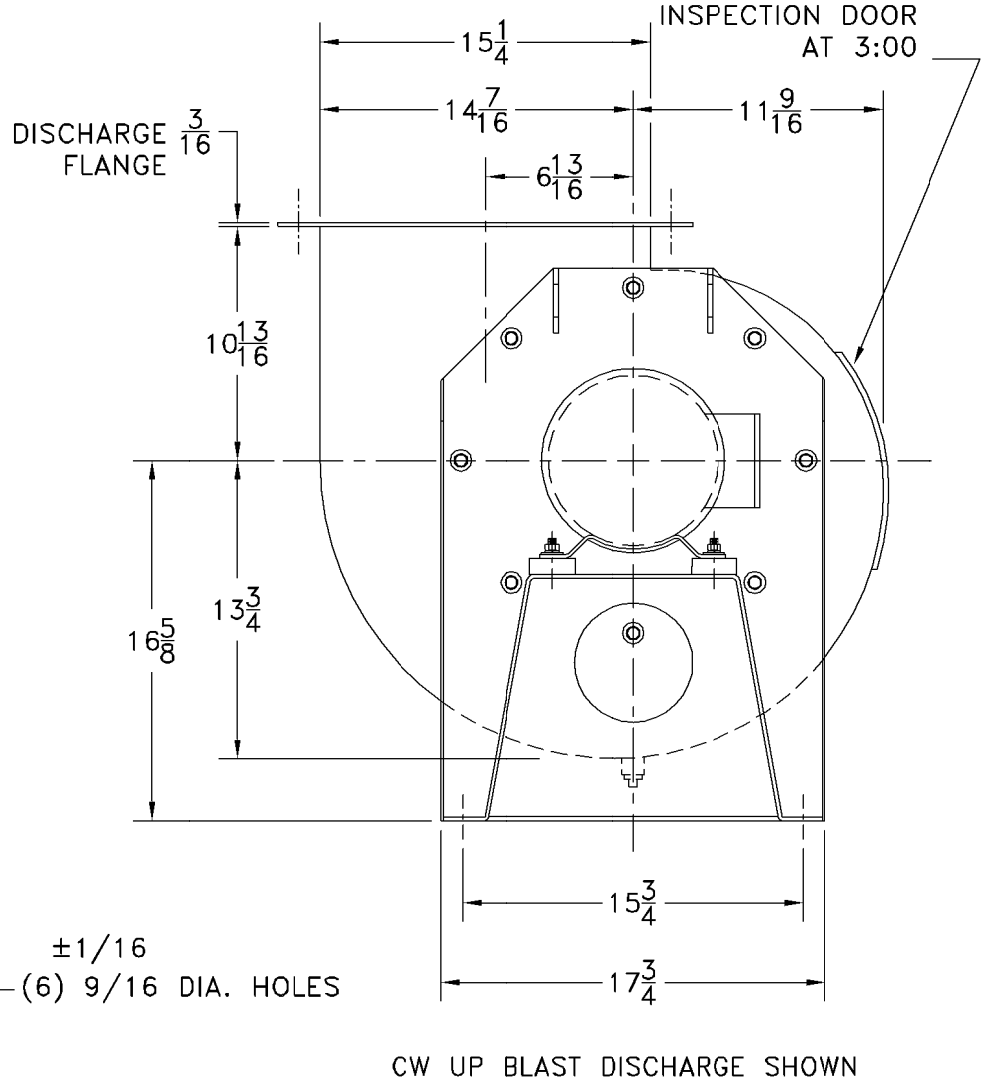
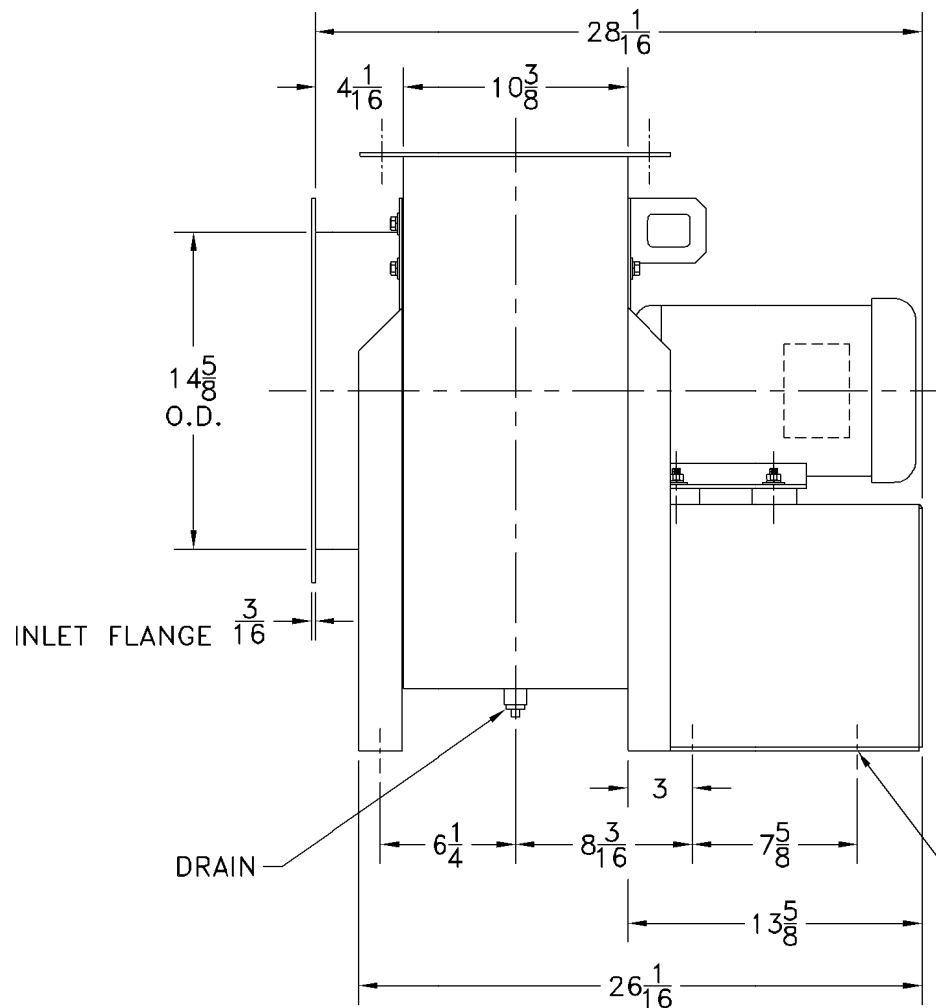
REPRESENTATIVE ORDER # CFQ# 197293

  X   REFERENCE             APPROVAL             CORRECTION

QTY.	DRAWING NO.	DESCRIPTION
	- - - -	SPECIFICATION SHEET
	HD1304-SHT 3B	MODEL HDBI-130
	27205	FLANGES

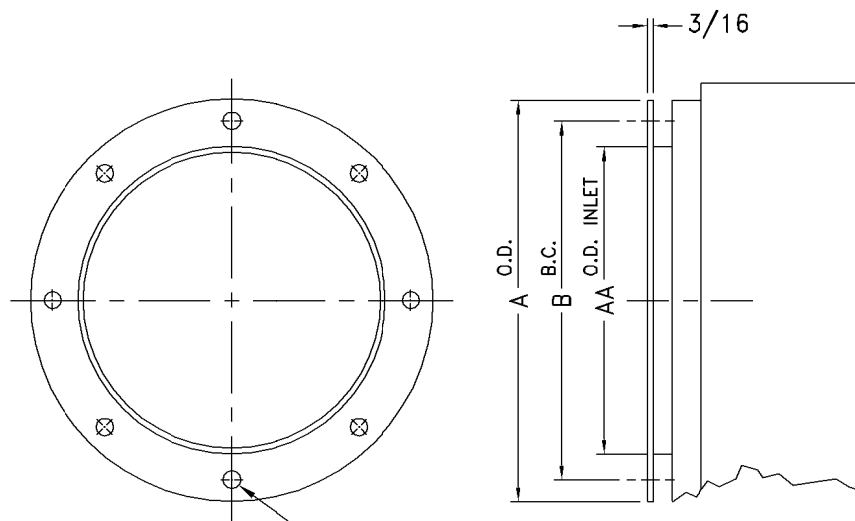
REMARKS: 2D CAD FILE ALSO INCLUDED.



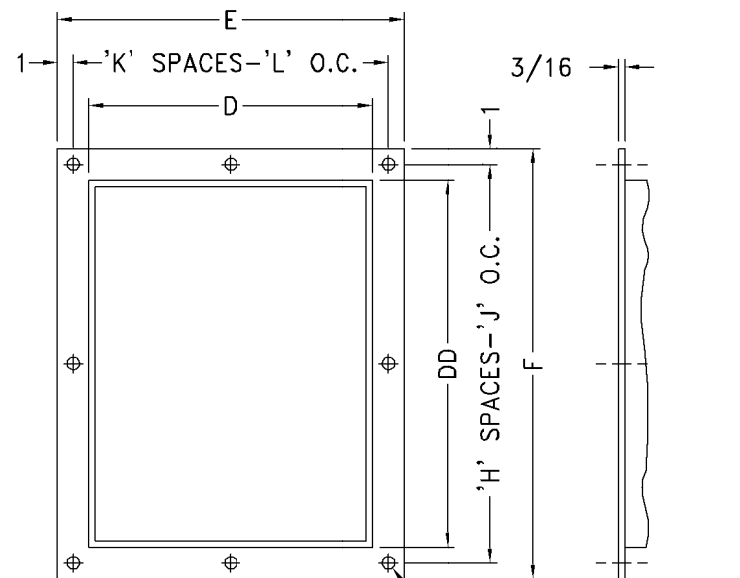


- NOTES:**
- 182T-184T MOTOR FRAME.
  - SEE DWG. A27205 FOR INLET & DISCHARGE FLANGE DETAILS.

				SUPERSEDES:		TOLERANCES: FRACTIONS ±1/8 ANGLES: ± 1° DECIMALS: X.XXX = ±0.005 X.XX = ±0.060 X.X = ±0.120 ALL DIMENSIONS IN INCHES UNLESS OTHERWISE SPECIFIED		SCALE: FULL IN CAD DATE: 1/05/05		 7697 SNIDER ROAD MASON, OHIO 45040	
3				ADDED SLIDE GATE DAMPER		05/04/07		LG		TITLE	
2				REVISED DWG TITLE & NUMBER		10/30/06		LG		HDBI/HDAF-130 ARR. 4, (CW UB)	
1				ADDED INSPECTION DOOR.		7/12/05		DKB			
NO.				DESCRIPTION		DATE		INITIALS		MATERIAL:	
				REVISIONS						ASSEMBLY	
										DRAWING NO. <b>A</b> HD1304	
										SHEET 3 of 3	
										REV. 3	



INLET FLANGE "N" HOLES, "P" DIA.



DISCHARGE FLANGE ① "M" 7/16 DIA. HOLES

SIZE	INLET					DISCHARGE								
	A O.D.	B B.C.	N	AA DIA.	P	D	E	F	H	J	K	L	M	DD
120	16	14-3/8	8	13-1/4	7/16	9-3/8	13-3/8	17-11/16	2	7-27/32	2	5-11/16	8	13-3/4
<b>X</b> 130	17-3/4	15-15/16	8	14-5/8	7/16	10-3/8	14-3/8	19-3/16	2	8-19/32	2	6-3/16	8	15-1/4
150	19-1/4	17-1/2	8	16-1/8	7/16	11-3/8	15-3/8	20-3/4	3	6-1/4	2	6-11/16	10	16-13/16
160	21-1/8	19-3/8	8	18	7/16	12-1/2	16-1/2	22-7/16	3	6-13/16	2	7-1/4	10	18-7/16
180	23-1/2	21-1/2	12	20	7/16	13-7/8	17-7/8	24-1/2	3	7-1/2	2	7-15/16	10	20-3/8
200	25-1/2	23-1/2	12	22	7/16	15-1/4	19-1/4	26-3/8	3	8-1/8	3	5-3/4	12	22-3/8
220	28-1/8	26-1/8	12	24-5/8	7/16	16-7/8	20-15/16	28-7/8	4	6-23/32	3	6-5/16	14	24-7/8
240	30-3/4	28-3/4	16	27	7/16	18-9/16	22-5/8	31-3/8	4	7-11/32	3	6-7/8	14	27-3/8
270	33-3/4	31-5/8	16	30	7/16	20-7/16	24-1/2	34-1/8	4	8-1/32	3	7-1/2	14	30-1/16
300	37-1/4	35-1/4	16	33-1/2	7/16	22-3/4	26-3/4	37-5/8	5	7-1/8	3	8-1/4	16	33-9/16
330	40-3/8	38-3/4	16	36-3/4	1/2	24-7/8	28-7/8	40-7/8	7	5-9/16	5	5-3/8	24	36-3/4
360	43-5/8	42	16	40	1/2	27-1/4	31-1/4	44-1/4	7	6-1/32	5	5-27/32	24	40-1/4

NOTE:

① NOT AVAILABLE ON ANY MODEL FOR DOWNBLAST, BOTTOM ANGULAR DOWN OR TOP ANGULAR DOWN DISCHARGE POSITIONS.  
DISCHARGE FLANGE IS STANDARD ON SIZES -270 THRU -360.