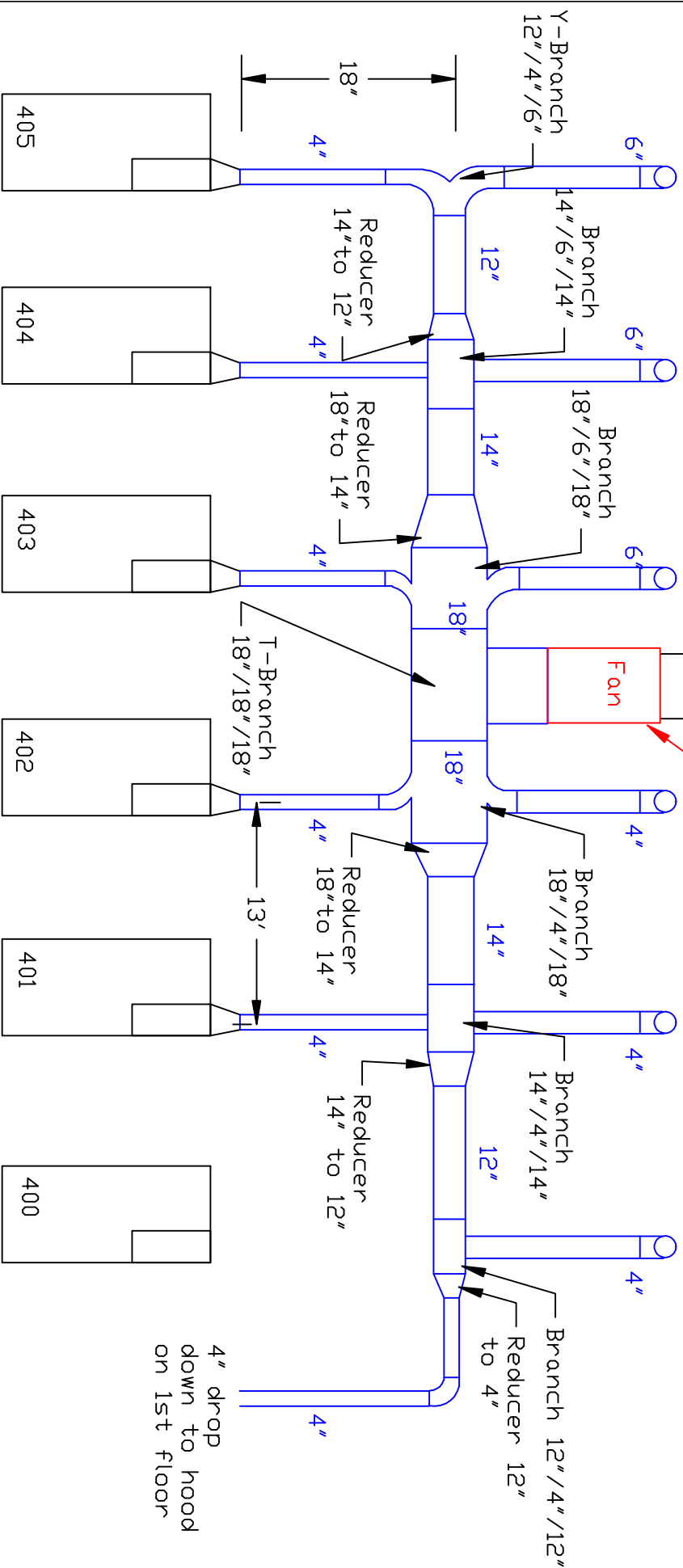


System #1 Reduct for machines 405 - 400

Plan View

18" ductwork outside. Add an 18" diameter
 No Loss Stack (will raise up about 10').
 See "Outside Detail" drawing for details.

Existing Fan



Note:

All Branches are at 30 Deg.
 There is a vertical drop of 13.5' down to the
 lower floor where the 6" or 4" duct will be
 connected just above the existing fire damper.

Avoni Environmental
 95 Cypress Drive 27596
 Youngsville, NC F# 919-570-2862 F# 919-570-2863
ae
 Project: Zeus - Gaston, SC
 Drawing: System 1 reduct
 Date: 10/15/10 | Drawn by: RAV
 Sheet No: