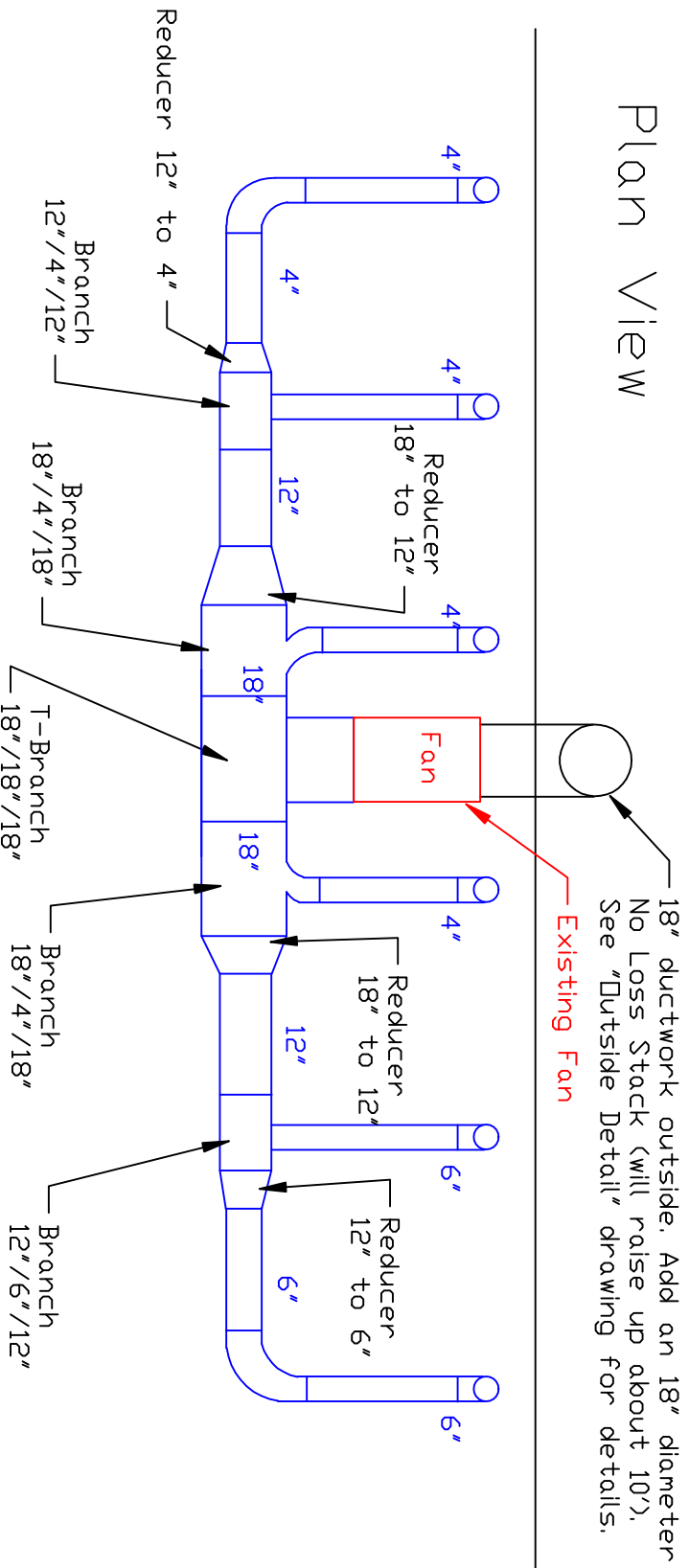


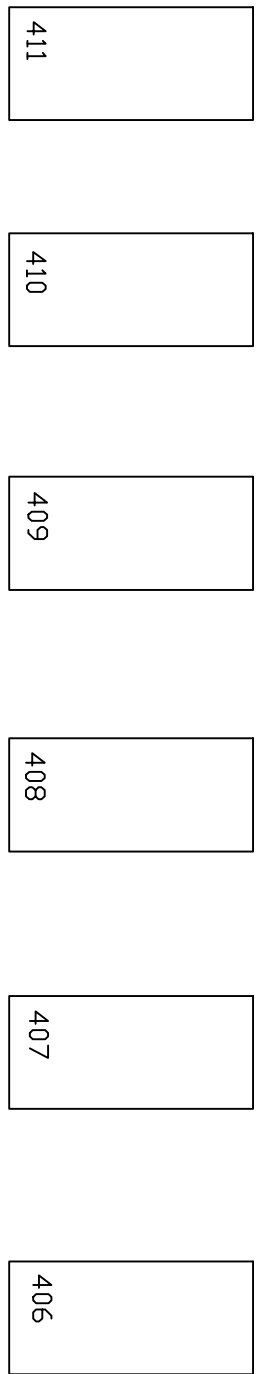
System #2 Reduct for machines 411 - 406

Plan View



Note:

All 4" and 6" drops will have a vertical drop of 13.5' down to the lower floor where the duct will be connected just above the existing fire damper.



Industrial Air Quality <small>102 AG DRIVE TOURNAVILLE, NC 27596 PH 919-562-7181 F# 919-562-7182</small>
IAQ
Project: Zeus - Godson, SC Drawing: System 2 reduct Date: 1/19/10 Drawn by: RAV
Sheet No: