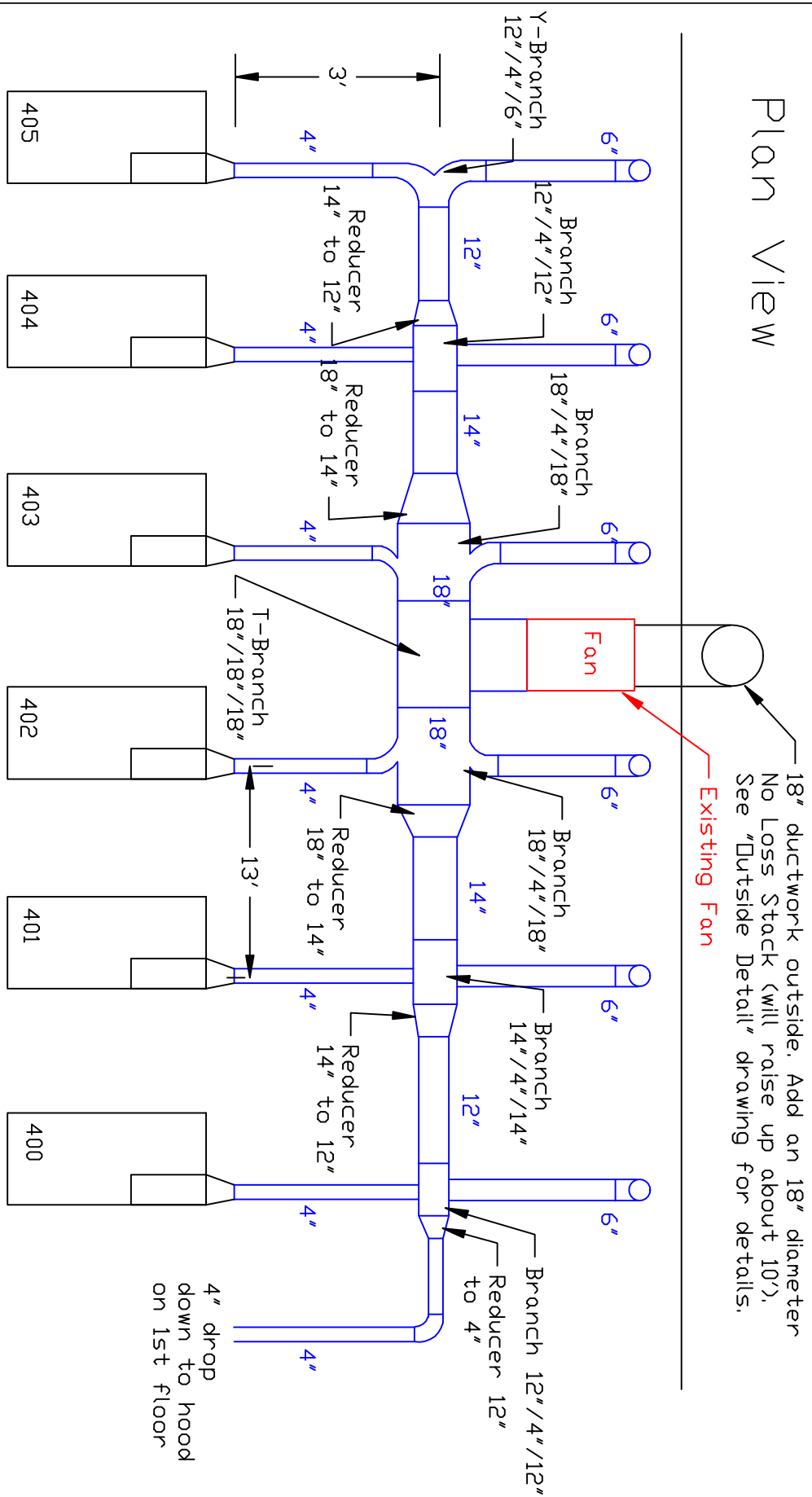


System #1 Reduct for machines 405 - 400

Plan View



18" ductwork outside. Add an 18" diameter No Loss Stack (will raise up about 10'). See "Outside Detail" drawing for details.

Existing Fan

Note:

All of the 6" drops will be connected to the main trunkline with a Cut-In.
 There is a vertical drop of 13.5' down to the lower floor where the 6" duct will be connected just above the existing fire damper.

Industrial Air Quality	
102 AG DRIVE	
Toungsview, NC 27596	
PH # 919-562-7181	F # 919-562-7182
Project: Zeus - Gadsden, SC	
Drawing: System 1 reduct	
Date: 1/19/10	Drawn by: RAV
Sheet No:	

