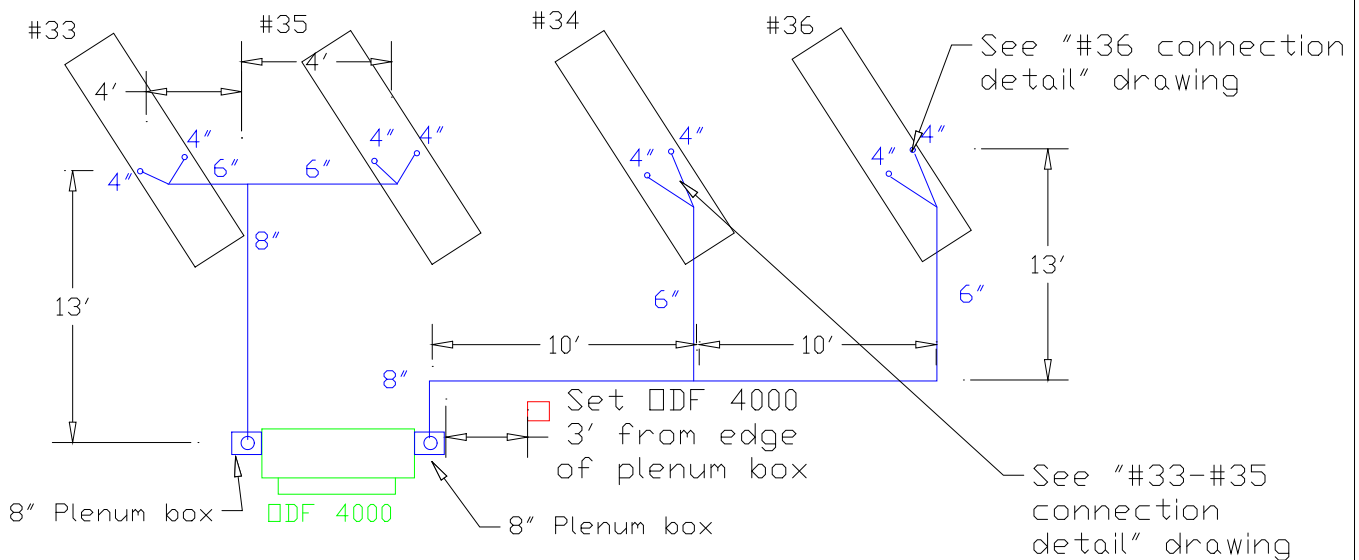


Duct Layout for machines 33-36



Notes:

- A) Drain Line: 3/4" PVC w/ "P"Trap and ball valve
- B) Bottom of duct 12' off of floor
- C) Use flex to connect to each 4" drop

Industrial Air Quality	IAQ
102 AG DRIVE YOUNGSVILLE, NC 27596	
PH 919-562-7181 F# 919-562-7182	
Project: YaleCommerical	
Drawing: Duct for 33 - 36	
Date: 7/1/03 Drawn by: RAV	
Sheet No:	