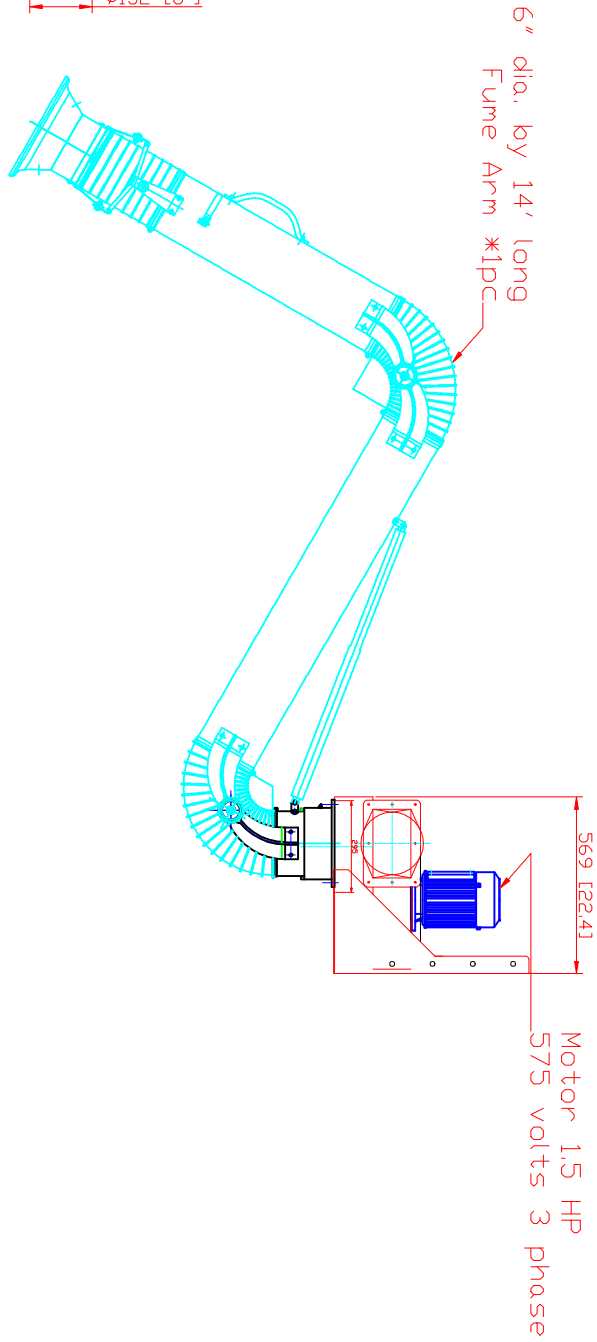
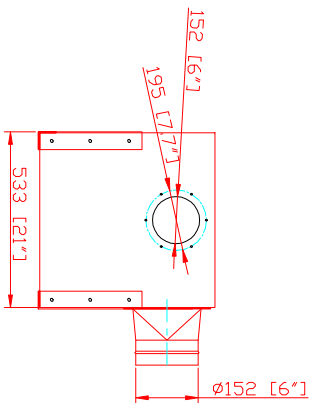
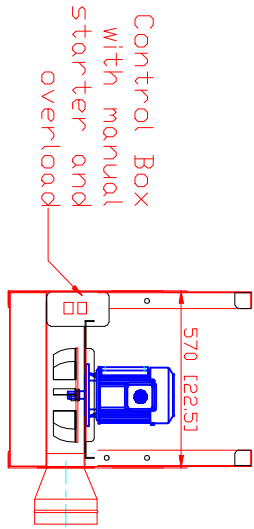
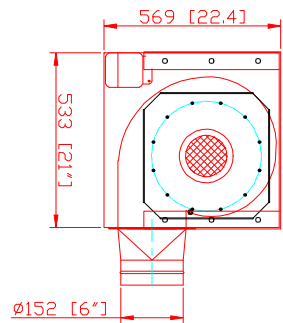


DO NOT SCALE

IF IN DOUBT ASK



Revisions		
Rev	Description	Approved



OSKAR AIR PRODUCTS, INC.
 95 Cypress Drive
 Youngsville, NC 27596

Sales Department
 (919) 570-2862
 sales@oskarsales.com

Drawn by:	XX-XX-XX	Date		Part Number:	SBU-2	Title:	2HP Blower (with bracket)			
Checked by:	XXXXX	Name				Size	Scale		Drawing Number:	DBB-2-1
This drawing is confidential and is the exclusive property of Oskar Air Products. No unauthorized use/copy or disclosure is to be made and it is returned whenever required.										