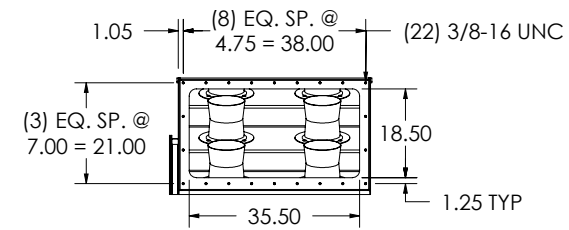
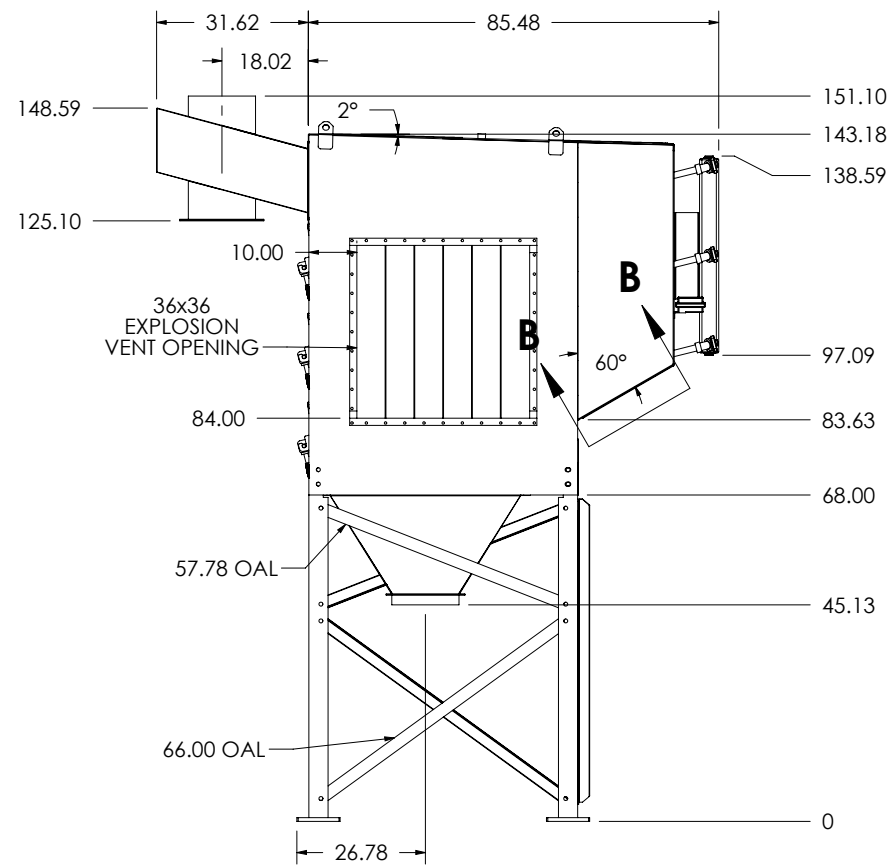
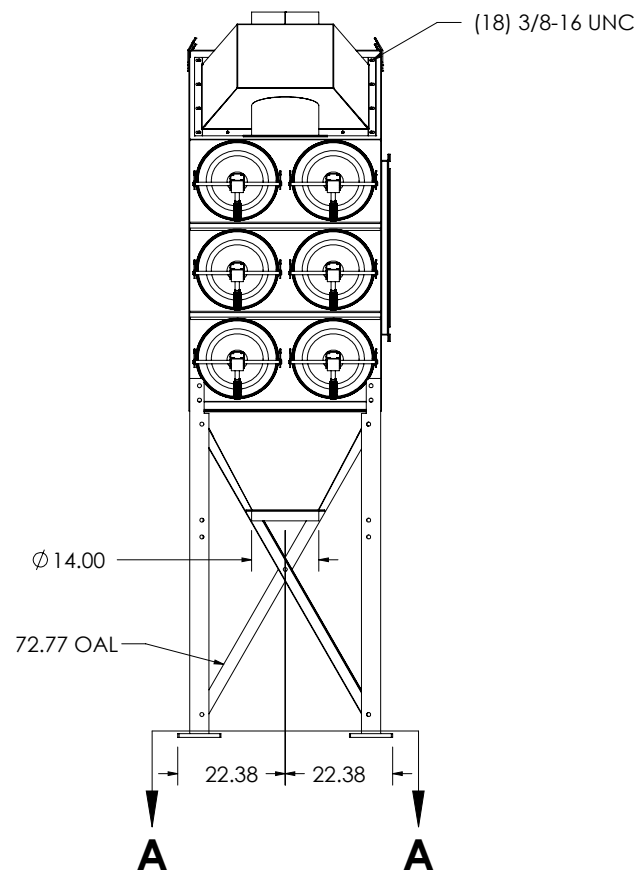
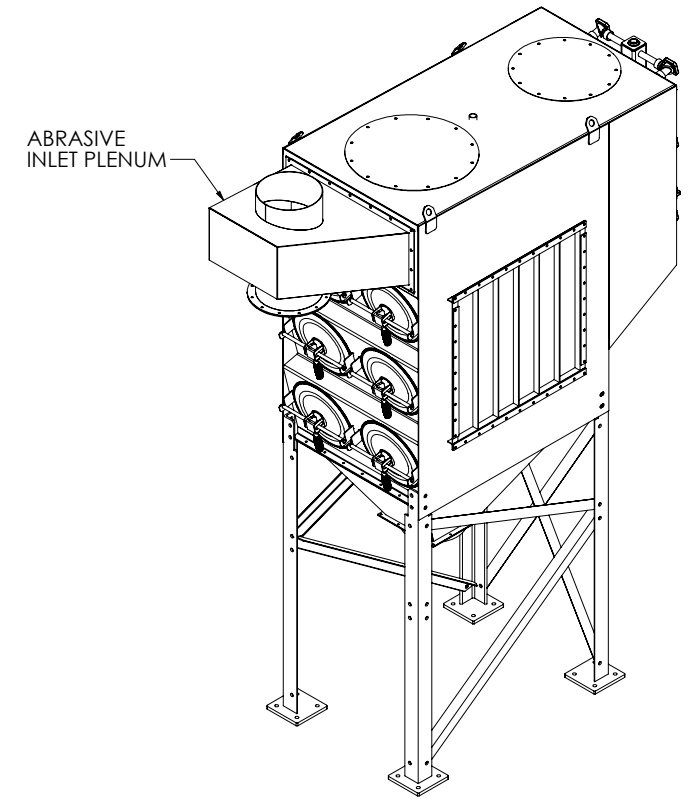


**SECTION A-A**




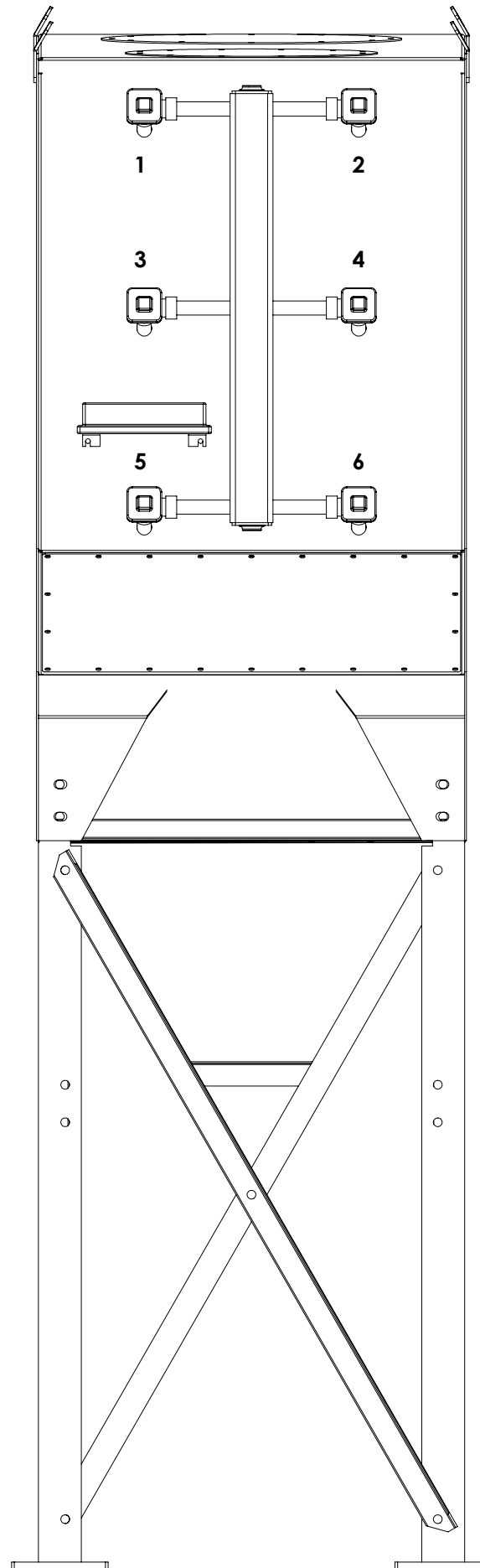
**SECTION B-B**




**ACCESSORIES:**

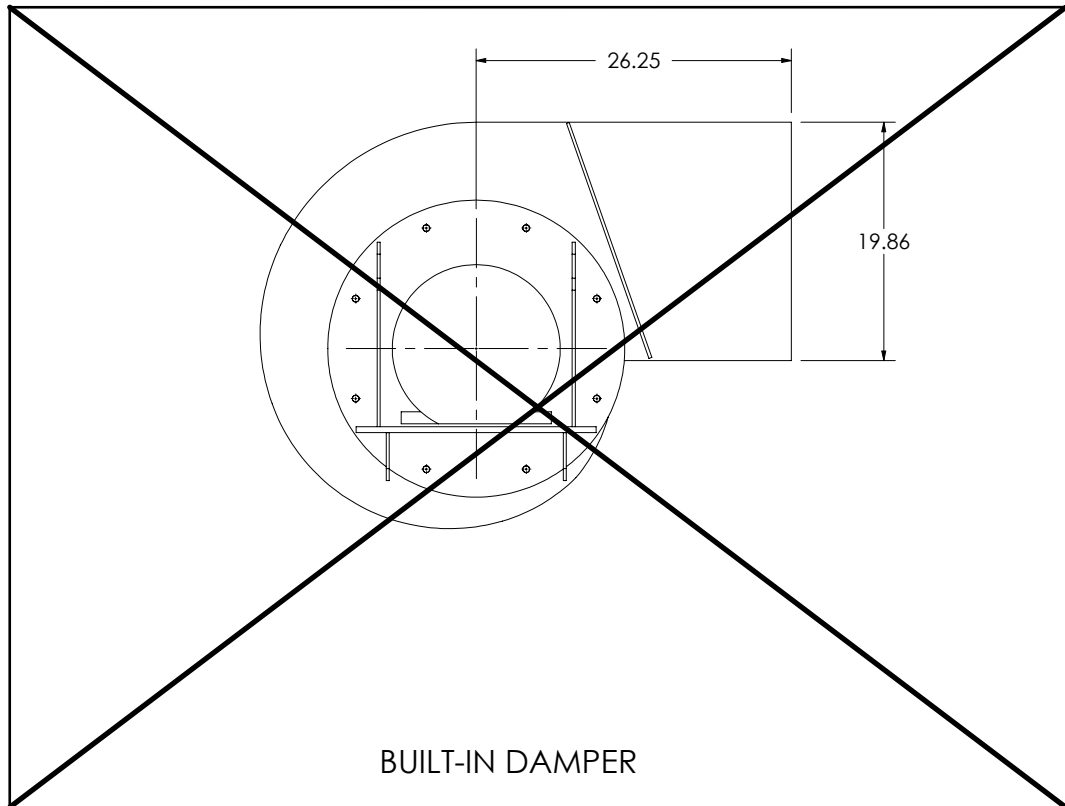
1. FAN BLOWER: TCF TCBI 15
2. ALL-IN-ONE CONTROLS (15HP/460V)
3. FAN OUTLET DAMPER & SILENCER
4. ACT FR NANO FILTER
5. ABRASIVE INLET - 14"
6. SPARK TRAP - 14"
7. BACK DRAFT DAMPER - 14"
8. EXPLOSION VENT - 36"x36"
9. SPRINKLER COUPLER
10. DRUM LID LATCH KIT
11. STEEL CONNECTION

REV	ECN	DATE	BY	CHK	DESCRIPTION
-	-	-	-	-	-
 <b>95 Cypress Dr. Youngsville, NC 27597 Phone: 919-570-2862 www.avanienvironmental.com</b>					
DRAWN BY: JX					
DATE: 10/2/13					
CHKD BY: JX					
DATE: 10/2/13					
SHOP NO.: 15747-001					
SCALE: 1:40					
DRAWING NO.: BC 500006				SHEET: 1 OF 1	ITEM: -
				REV.: -	

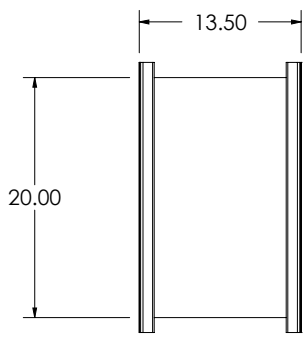


DRAWN BY  
JX  
DATE  
10/2/13  
CHKD BY  
-  
DATE  
-  
SHOP NO.  
-  
SCALE  
1:15

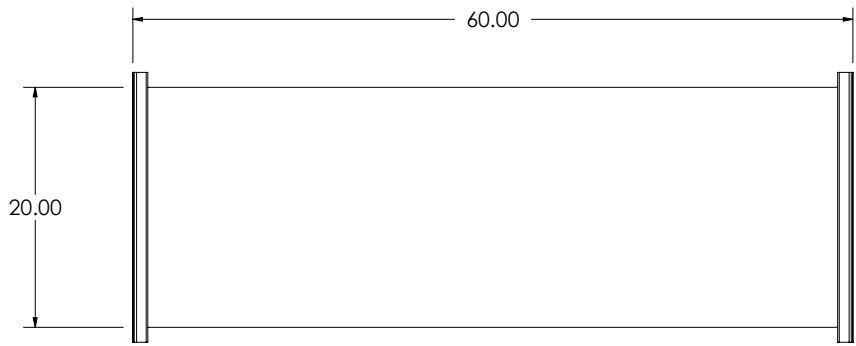
REV	ECN	DATE	BY	CHK	DESCRIPTION
-	-	-	-	-	-
 <b>95 Cypress Dr. Youngsville, NC 27597 Phone: 919-570-2862 www.avanienvironmental.com</b>					
TITLE SDC-AT 3-12 DIAPHRAGM VALVE LOCATIONS					
DRAWING NO. BC 500030					SHEET 1 OF 1
					ITEM -
					REV. -



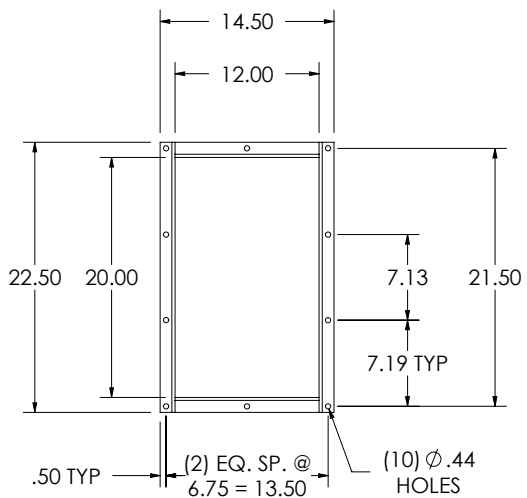
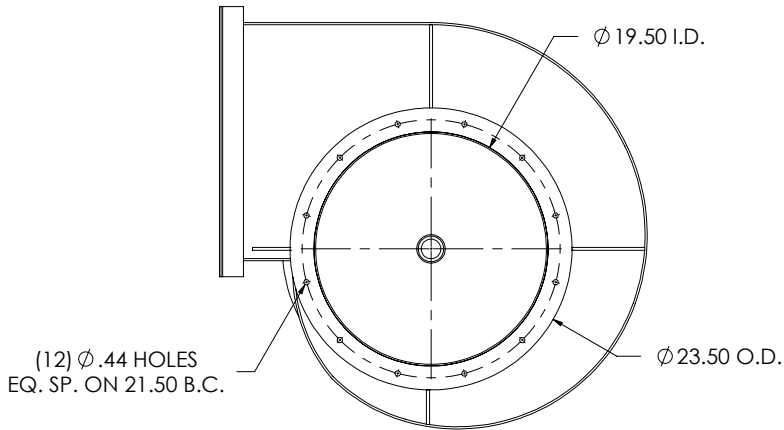
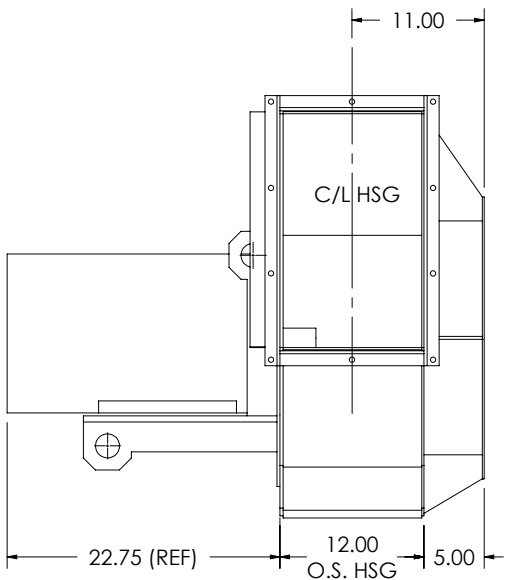
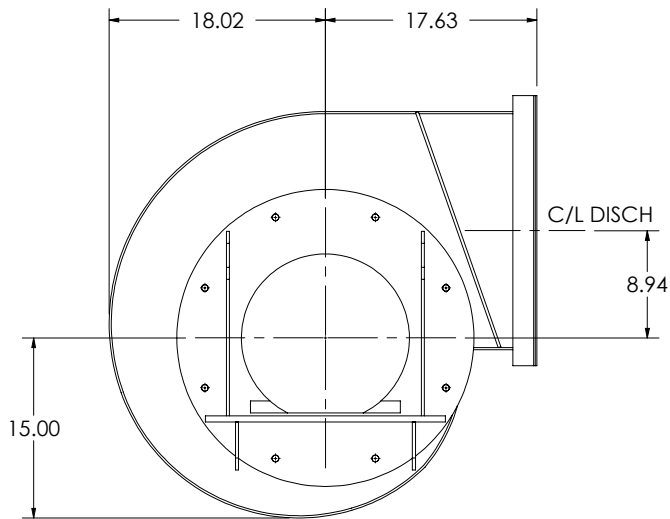
BUILT-IN DAMPER



DETACHED OUTLET DAMPER



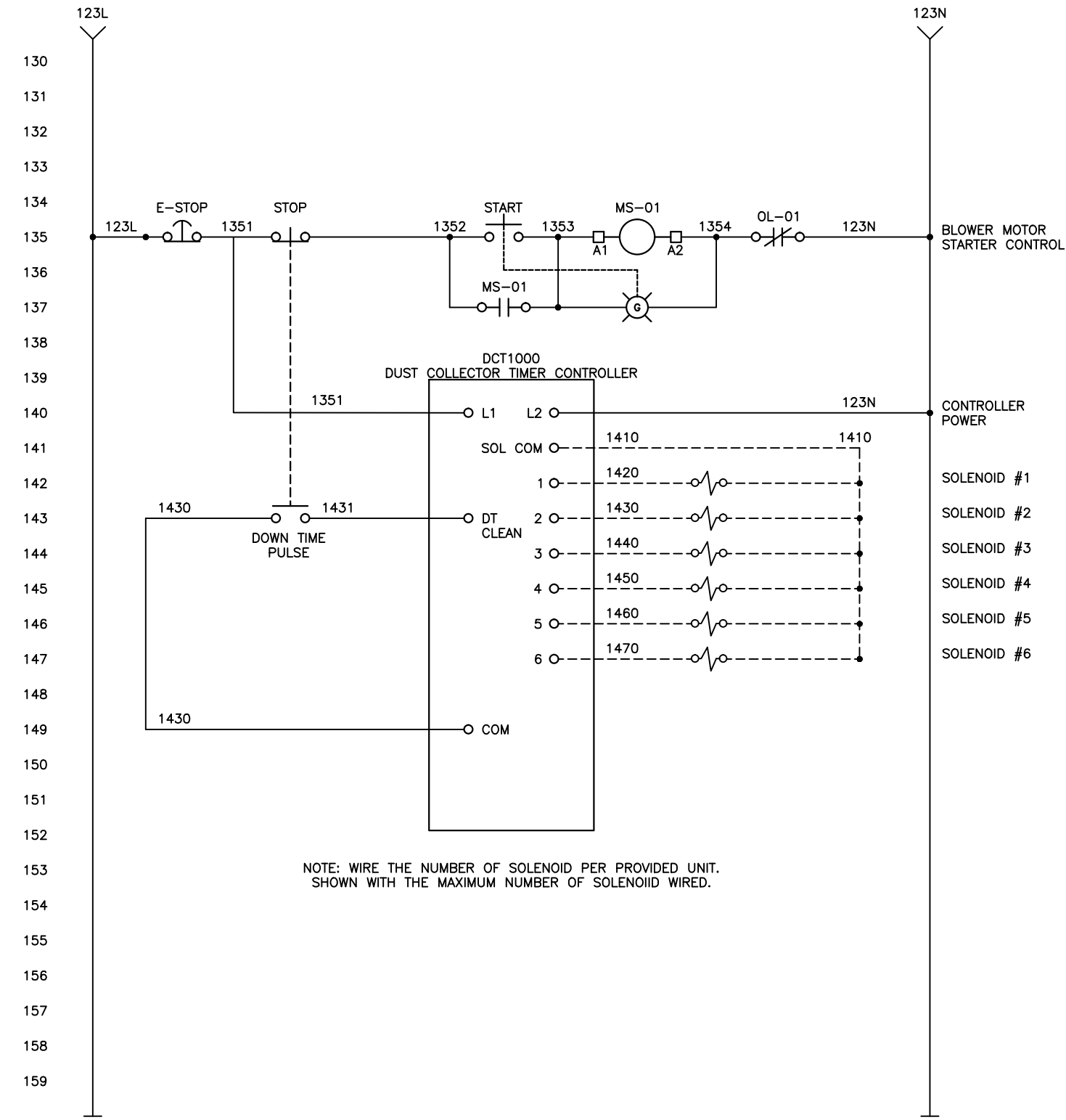
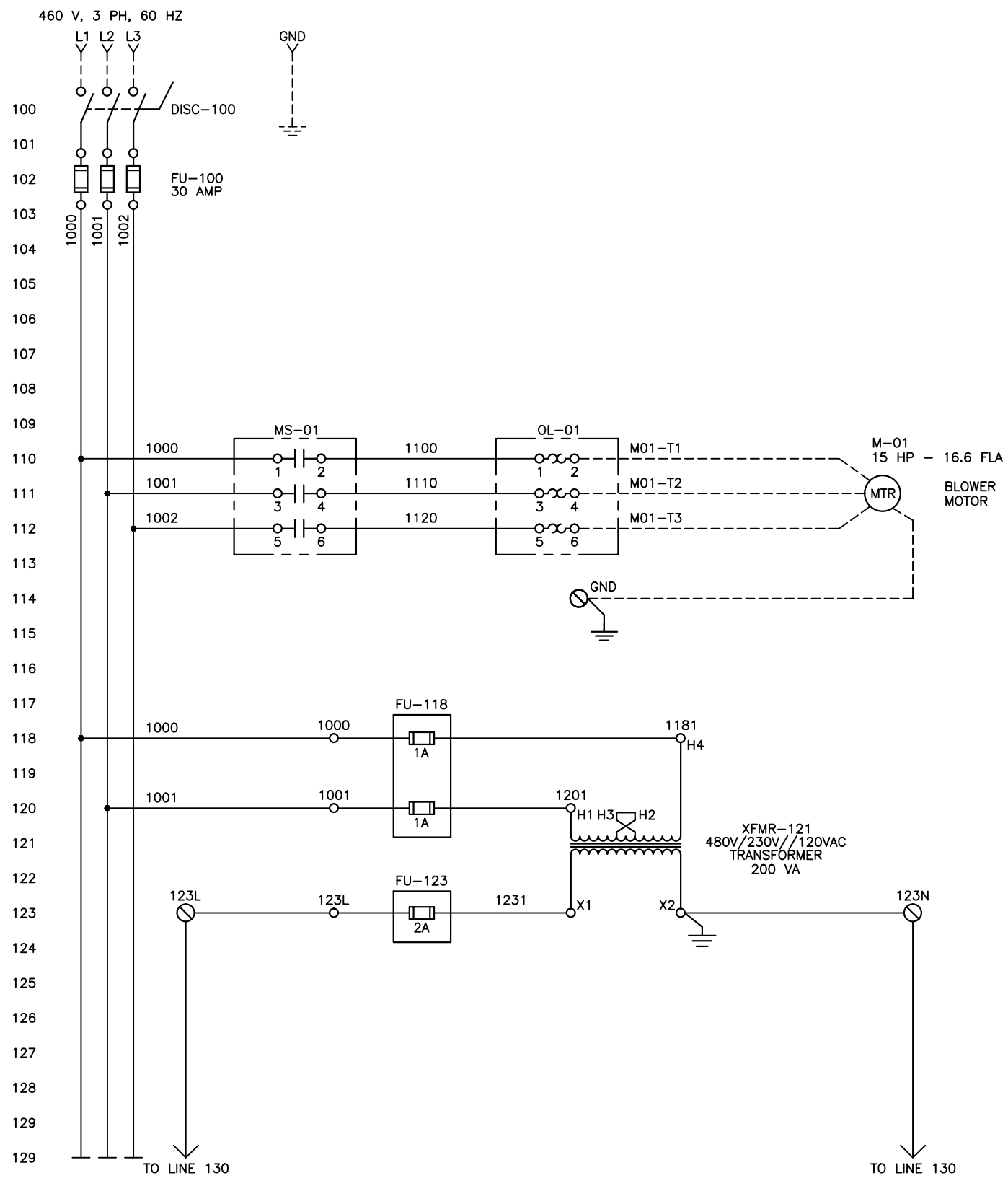
OUTLET SILENCER



FLANGE DETAIL

NOTES:  
1. "CW" ROTATION SHOWN. "CCW"  
ROTATION SIMILAR BUT OPPOSITE.

REV	ECN	DATE	BY	CHK	DESCRIPTION
-	-	-	-	-	-
<p>95 Cypress Dr. Youngsville, NC 27597 Phone: 919-570-2862 www.avanienvironmental.com</p>					
DRAWN BY JX		TITLE TCF 15 TCBI			
DATE 8/15/13		DATE 8/15/13			
CHKD BY JX		DRAWING NO. BC 500052			
DATE 8/15/13		SHOP NO. 15747-001		SHEET 1 OF 1	
SCALE 1:16				ITEM -	
				REV. -	



NOTE: WIRE THE NUMBER OF SOLENOID PER PROVIDED UNIT. SHOWN WITH THE MAXIMUM NUMBER OF SOLENOID WIRED.

THIS DRAWING IS CONFIDENTIAL PROPERTY OF ENGINEERING FIRM. DO NOT DUPLICATE IN ANY TYPE WITHOUT PROPER WRITTEN PERMISSION. IF YOU ARE NOT THE INTENDED CLIENT PLEASE DESTROY THIS DOCUMENT.			<b>DUST COLLECTOR BLOWER PACKAGE 480VAC, 3 PHASE - 15 HP WITH DUST COLLECTOR TIMER CONTROLLER</b>		
REV.	DESCRIPTION	DATE	FILE PATH: c:\clients\	CLIENT	PLOT DATE: 01/01/04
1	CREATED	7/28/08		AVANI	
			DRAWN BY: ECS	DATE: 7/28/08	DRAWING NUMBER 15 HP 100
			CHECKED BY: ECS	DATE: 7/28/08	PROJECT NUMBER
				DRAWING SCALE NONE	