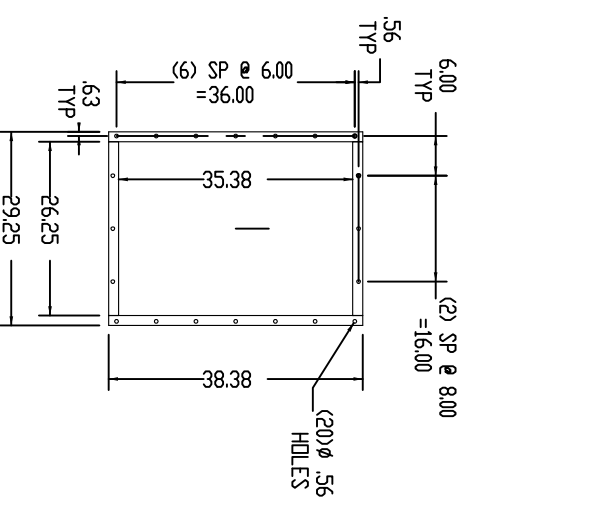


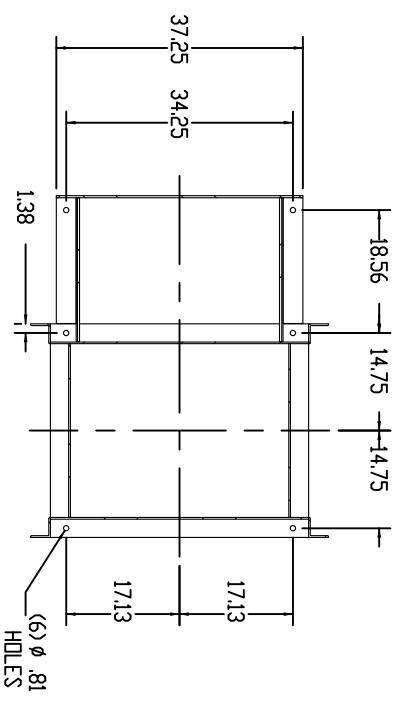
- ACCESSORIES  
 1. ACCESS DDDR-BOLTED  
 2. DRAIN - 3/4" NPT W/PLUG  
 3. SHAFT SEAL - STD TYPE  
 4. PAINT AERVOENT GRAY ENTIRE FAN

DRIVE SIDE VIEW

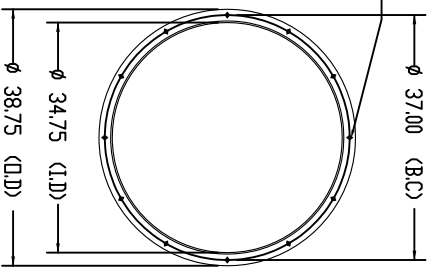
INLET SIDE VIEW



OUTLET FLANGE DETAIL



SECTION A-A  
 FOUNDATION PLAN - TOP VIEW



INLET FLANGE DETAIL

9	MOTOR	1	50 HP, 1800 RPM, 3/60/230-460V TEFC PREM EFF., 326T FRAME SIZE FURN. & MTD. BY TCF
8	INLET FLANGE	1	7 GA THK FLANGE, PUNCHED
7	PEDESTAL	1	
6	OUTLET FLANGE	1	15' x 15' x .25' ANGLE, PUNCHED
5	INLET CONE	1	
4	WHEEL (NOT SHOWN)	1	
3	FRAME	1	3' x 3' x .25' BASE ANGLES
2	HOUSING SCROLL	1	7 GA.
1	HOUSING SIDE	2	7 GA.
ITEM	DESCRIPTION	QTY	NOTES

JOB AND LOCATION

CUSTOMER NAME	AIR CLEANING TECHNOLOGIES, INC.
JOB NAME	
JOB ID	5086
LOCATION	
ENG/ARCH	
S.D. NUMBER	475835 (APP)
TAG UNIT	18000CFM@12"

PERFORMANCE "A"

TEMP.	70°F	DRAWN BY	PK SUDHAKAR
ELEVATION	0 FT	DATE	08/28/2012
DENSITY	0.075	CHECK BY	KLN
CFM	18000	DATE	08/28/2012
SP.	12	MOTOR WT	542 LBS
RPM	1750	FAN WT	1100 LBS
BHP	42.77		
TS	15119		
AV.	2875	SCALE	1:28

\* PLEASE NOTE THIS DIMENSION WILL VARY BY MOTOR MFG. ALL OTHER DIMENSIONS ARE BASED ON NEMA STD. \* THE DESIGN SHOWN ON THIS DRAWING IS THE EXCLUSIVE PROPERTY OF TWIN CITY FAN COMPANIES, LTD. IT IS NOT TO BE USED FOR ANY PURPOSE OR ITS CONTENTS DISCLOSED WITHOUT OUR WRITTEN CONSENT.

WARNING MESSAGES

REV	ECN	DATE	BY	CHK	DESCRIPTION

**Twin City Fan Companies, Ltd.**  
 Aerovent I Fiber-Aire I TC Axial I TC Vertical Twin City Fan & Blower  
 Member of Air Movement and Control Association  
 5959 Trenton Lane - Minneapolis, MN 55442-3238

TITLE

SIZE 330, BCS CLASS 17, CW ROT, UBD DISCH  
 ARR-4, NON-ROTATABLE 90% WIDTH

DRAWING NO.	BC 475835 (APP)	REV	001	ITEM	00	SHEET	1 OF 1	REV.	
-------------	-----------------	-----	-----	------	----	-------	--------	------	--